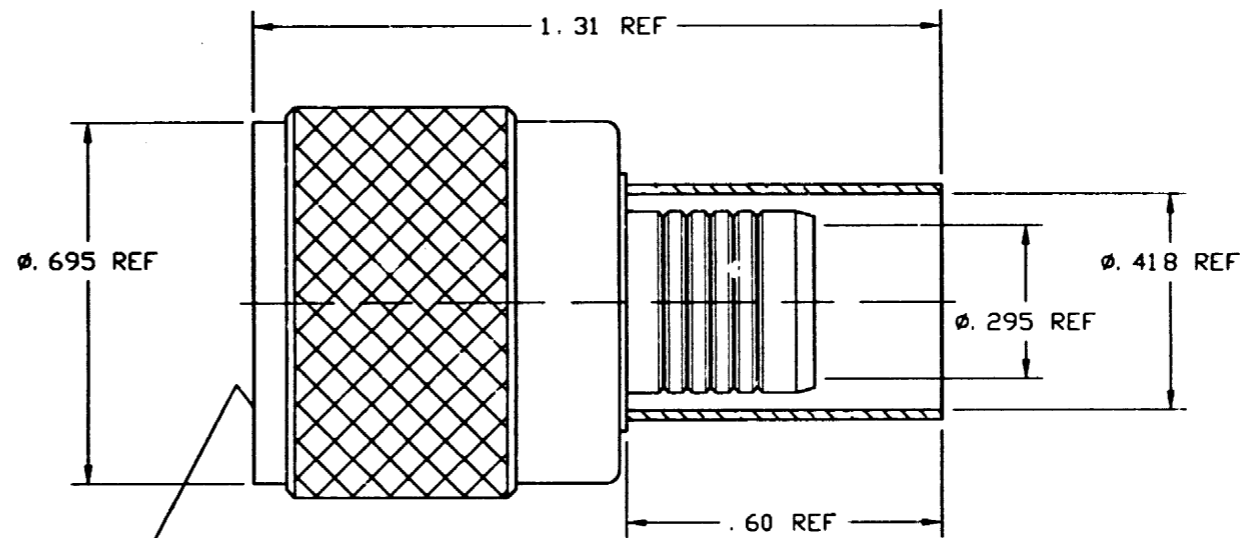
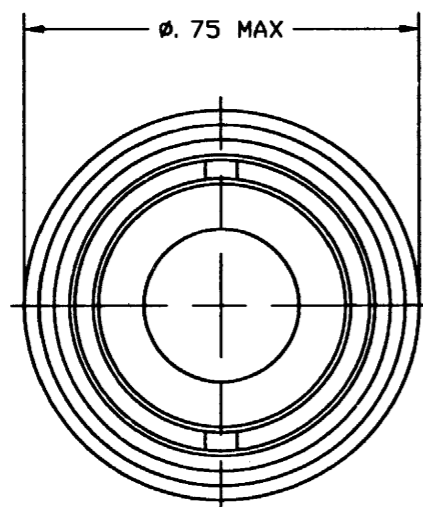


**NOTES:**

1. PLATING MUST CONFORM TO AMPHENOL SPEC. 349-50560.  
BODY AND COUPLING NUT: BRASS, ASTROPLATED.  
FERRULE: ANNEALED COPPER TUBING, ASTROPLATED.
4. ASTERISK (\*) INDICATES CABLE ENTRY DIM.
5. CRIMP WITH AMPHENOL TOOL 227-944 AND DIE SET 227-1221-25 (.429 HEX)
6. DO NOT SCALE THIS DRAWING.

<b>83-8SP-1004</b>		REVISIONS			
DRAWING NO.	REV	DESCRIPTION	DATE	ECO	APPR
THIRD ANGLE PROJ.	A	OFFICIAL ENG. RELEASE TO MFG.	10/2/97	42158	PB/TA
	B	SEE SHEET 1 FOR REVISIONS	10/9/97	42170	PB/



.625-24UNEF-2B THD.

**CUSTOMER DRAWING**

UNLESS OTHERWISE SPECIFIED, DIMENSIONS ARE IN INCHES AND TOLERANCES ARE: 2 PLACE DECIMAL 3 PLACE DECIMAL ANGLES ±.015 (0.381 mm) ±.005 (0.127 mm) ± 1°	MATERIAL	DRAWN P. BRENZEL	DATE 29 SEP 97	TITLE  "UHF" PLUG FOR RG-213/U	<b>Amphenol</b> Amphenol Corporation RF/Microwave Operations Danbury, Conn. U.S.A. 06810
	REFERENCE EAR 966704 0	ENGINEER P. BRENZEL	DATE 29 SEP 97		
NOTICE - These drawings, specifications, or other data (1) are, and remain the property of Amphenol Corp. (2) must be returned upon request; and (3) are confidential and not to be disclosed to any person other than those to whom they are given by Amphenol Corp. The furnishing of these drawings, specifications, or other data by Amphenol Corp., or to any other person to anyone for any purpose is not to be regarded by implication or otherwise in any manner licensing, granting rights or permitting such holder or any other person to manufacture, use or sell any product, process or design, patented or otherwise, that may in any way be related to or disclosed by said drawings, specifications, or other data.		APPROVED T. AUBIN	DATE 10/1/97	CODE ID 74868 DWG SIZE B DRAWING NO. 83-8SP-1004	ISSUE B
		CAD FILE H:\DEPT611\UHF\083\ASSY\8SP1004C			