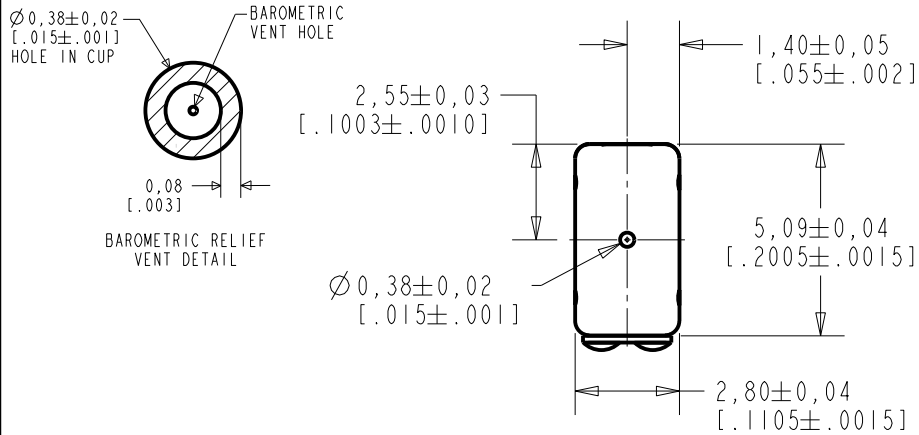


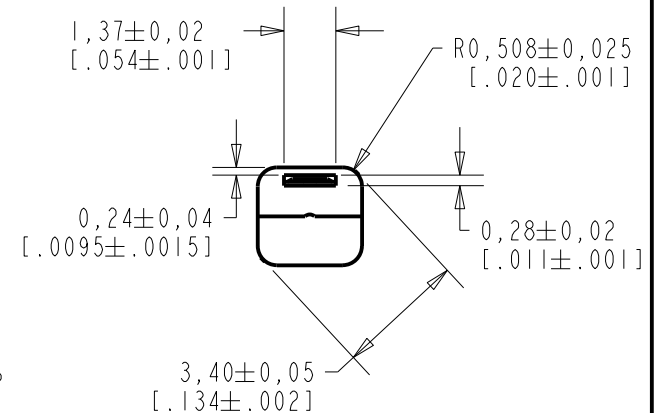
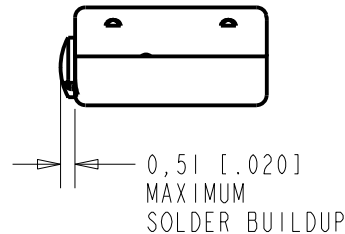
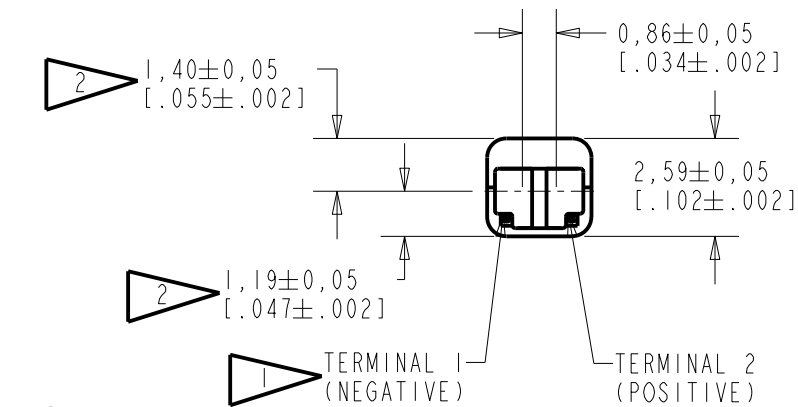
FFH-26856-105

SHT 1.1



NOTES:

- 1 A POSITIVE GOING VOLTAGE AT TERMINAL 2, RELATIVE TO TERMINAL 1, CAUSES A DECREASE IN PRESSURE AT THE SOUND OUTLET.
- 2 LOCATED FROM TWO SURFACES FOR CUSTOMER CONVENIENCE. ONLY APPLICABLE FROM ONE SURFACE, NOT TO BE USED TOGETHER.



SCALE 2:1

NOMINAL WEIGHT
.18 GRAMS

DIMENSIONS IN MILLIMETERS [INCHES]

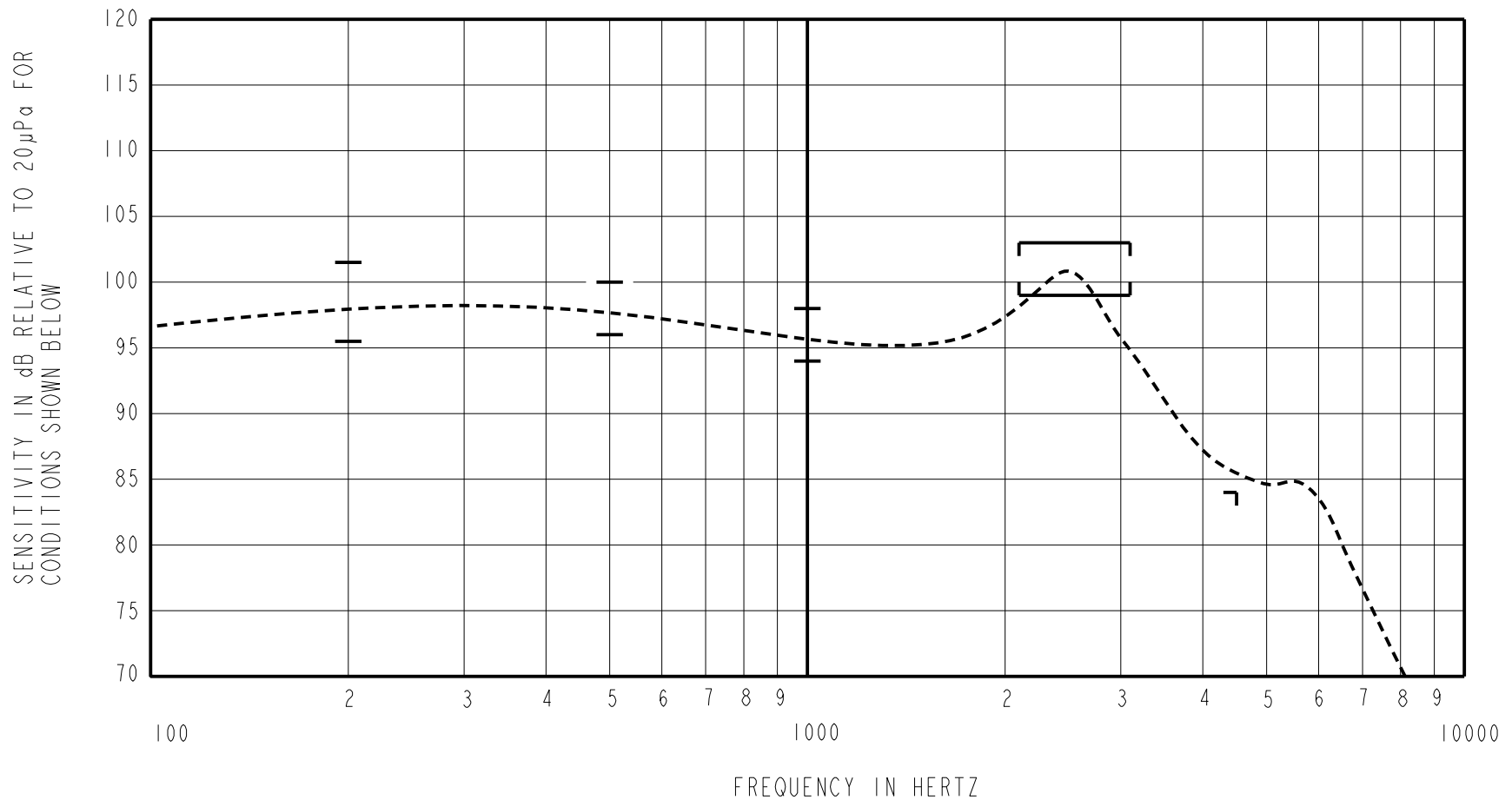
| Revision | C.O. # | Implementation Date | RELEASE LEVEL | REVISION |
|----------|------------|---------------------|---------------|----------|
| E | C10109708P | 10-28-10 | Active | E |
| D | C10105532 | 3-30-07 | | |
| | | | | |

| | |
|----------------------|---------------|
| SCALE: 5:1 | DR. BY: DATE |
| DO NOT SCALE DRAWING | MMM 10-3-05 |
| TITLE: RECEIVER | CK. BY: DATE |
| FFH-26856-105 | GJP 10-5-05 |
| OUTLINE DRAWING | APP. BY: DATE |
| SHT 1.1 | GJP 10-5-05 |

KNOWLES ELECTRONICS
ITASCA, ILLINOIS U.S.A.

THE FFH-26856-105 IS A FERROFLUID DAMPED AND EXTERNALLY VENTED FH-6553 RECEIVER WITH A PEAK OF 5dB RELATIVE TO THE SENSITIVITY AT 1kHz UNDER CONSTANT VOLTAGE DRIVE CONDITIONS.

CONSTANT VOLTAGE DRIVE CONDITIONS



ACOUSTICAL

SENSITIVITY
DEVICE WILL PRODUCE THE SPL LISTED BELOW UNDER TEST CONDITIONS DESCRIBED IN TABLE 3.
NOMINAL SENSITIVITY AT 1kHz IS dB RELATIVE TO 20µPa. ALL OTHER VALUES
IN dB RELATIVE TO THE SENSITIVITY AT 1kHz.

| FREQUENCY (Hz) | MINIMUM | NOMINAL | MAXIMUM |
|----------------|---------|---------|---------|
| 200 | -0.5 | +2.5 | +5.5 |
| 500 | 0.0 | +2.0 | +4.0 |
| 1000 | -2.0 | 96.0 | +2.0 |
| 2100 - 3100 | +3.0 | +5.0 | +7.0 |
| 4500 | -12.0 | --- | --- |

PORT LOCATION: 12N

TABLE 1

TOTAL HARMONIC DISTORTION
DEVICE WILL NOT EXCEED TOTAL HARMONIC DISTORTION LEVELS LISTED BELOW.

| FREQUENCY (Hz) | AC DRIVE (V rms) | DC BIAS (V) | LIMIT (%) |
|----------------|------------------|-------------|-----------|
| 500 | 0.352 | 0 | 10 |
| 870 | 0.125 | 0 | 6 |
| 1300 | 0.125 | 0 | 6 |

TABLE 2

TEST CONDITIONS

| | |
|------------------------|---|
| NOMINAL SOURCE VOLTAGE | 0.125 V rms, 0 mA DC BIAS |
| SOURCE IMPEDANCE | <1 Ohm |
| TUBING | 10mm [.394"] LONG, 1mm [.039"] I.D. |
| COUPLER CAVITY | 2 CM ³ , SIMULATED ANSI S3.7 TYPE HA-3 (IEC 126) |

TABLE 3

ELECTRICAL

| | |
|--------------------|----------------|
| DC RESISTANCE | 58 Ohms ± 10% |
| IMPEDANCE @ 500 Hz | 92 Ohms ± 15% |
| IMPEDANCE @ 1kHz | 144 Ohms ± 15% |

TABLE 4

ISOLATION: CASE WILL BE ELECTRICALLY ISOLATED FROM THE COIL CIRCUIT.
BAROMETRIC RELIEF: THE AIR FLOW THROUGH THE BAROMETRIC RELIEF VENT TO BE 1.0 TO 2.5 cc/MIN WHEN AIR PRESSURE OF 15 INCHES WATER (3736 Pa) IS APPLIED AT THE PORT APERTURE.
TEMPERATURE: OPERATING RANGE FROM 0°C TO 63°C (SENSITIVITY WILL NOT VARY BY MORE THAN ±3 dB WITHIN RANGE)
SENSITIVITY AT 0°C IS 2dB LOWER THAN THE SENSITIVITY AT ROOM TEMPERATURE.
STORAGE RANGE FROM -40°C TO 63°C

| Revision | C.O. # | Implementation Date | RELEASE LEVEL | REVISION |
|--|------------|---------------------|---------------|----------|
| E | C10109708P | 10-28-10 | Active | E |
| D | C10105532 | 3-30-07 | | |
| | | | | |
| WHEN TEST LIMITS ARE USED TO ESTABLISH INCOMING INSPECTION ACCEPTANCE/REJECTION CRITERIA, CORRELATION OF TEST EQUIPMENT WITH KNOWLES IS ALSO REQUIRED FOR ELIMINATION OF EQUIPMENT AND TEST METHOD VARIATION | | | DR. BY | DATE |
| TITLE: RECEIVER | | | MMM | 10-3-05 |
| | | | FFH-26856-105 | |
| PERFORMANCE SPECIFICATION | | | GJP | 10-5-05 |
| | | | APP. BY | DATE |
| | | | GJP | 10-5-05 |

KNOWLES ELECTRONICS
ITASCA, ILLINOIS U.S.A.