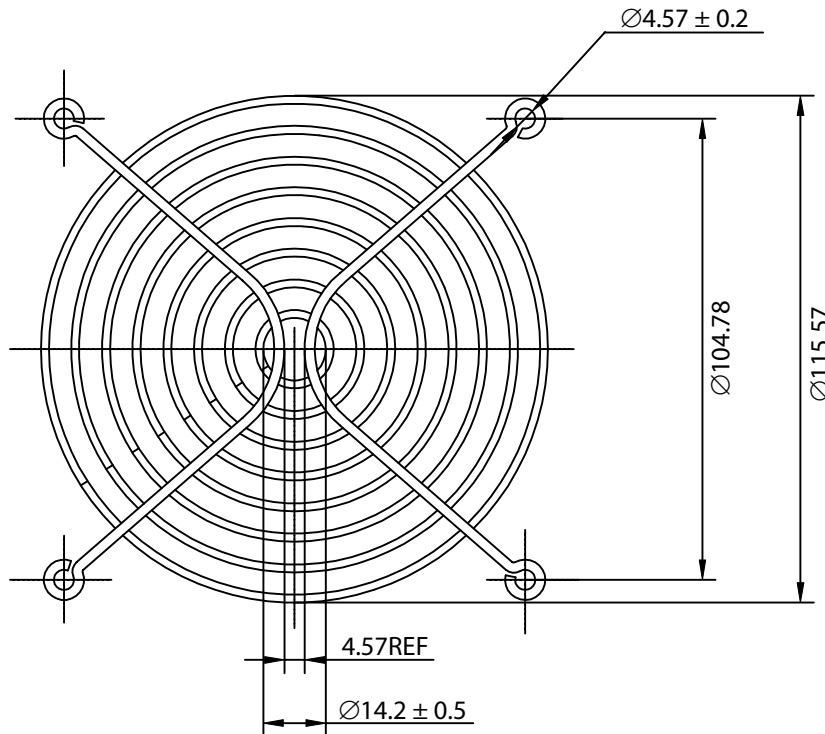


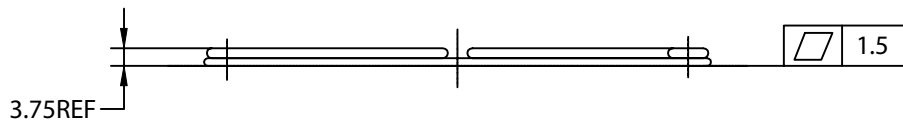
THESE DRAWINGS ARE THE PROPERTY OF QUALTEK ELECTRONICS AND NOT TO BE REPRODUCED FOR OR COMMUNICATED TO A THIRD PARTY WITHOUT THE EXPRESS WRITTEN PERMISSION OF AN OFFICER OF QUALTEK ELECTRONICS.

| REVISION | | | |
|----------|-------------|------|----------|
| REV. | DESCRIPTION | DATE | APPROVED |
| | | | |
| | | | |
| | | | |



NOTES:

1. MATERIAL: C1008 BRIGHT BASIC WIRE
2. FINISH: BLACK E.D.
3. 0.35 ± 0.05 DEPTH OF SERRATIONS ON WIRE
4. RING: Ø1.8 ± 0.1mm
RIB: Ø2.3 ± 0.1mm
5. GENERAL TOLERANCE UNLESS NOTED IS ± 0.5mm
6. RoHS COMPLIANT



CONTROLLED

| Dim range (mm) | Tolerance +/- (mm) | Qualtek Electronics Corp. FAN-S DIVISION | | |
|----------------|--------------------|---|----------------|-----------------|
| | | Part Number: | 80129-02 | RoHS Compliant |
| 0-5 | 0.1 | Description: WIRE FORM FAN GUARD (120mm) | | |
| 5-16 | 0.15 | UNIT: mm | | |
| 16-64 | 0.2 | Drawn / Date | Checked / Date | Approved / Date |
| 64-250 | 0.4 | R. Nuti 08-23-07 | 08-23-07 | JJH / 08-23-07 |
| 250-1000 | 0.5 | | | |
| 1000-1500 | 1.0 | | | |