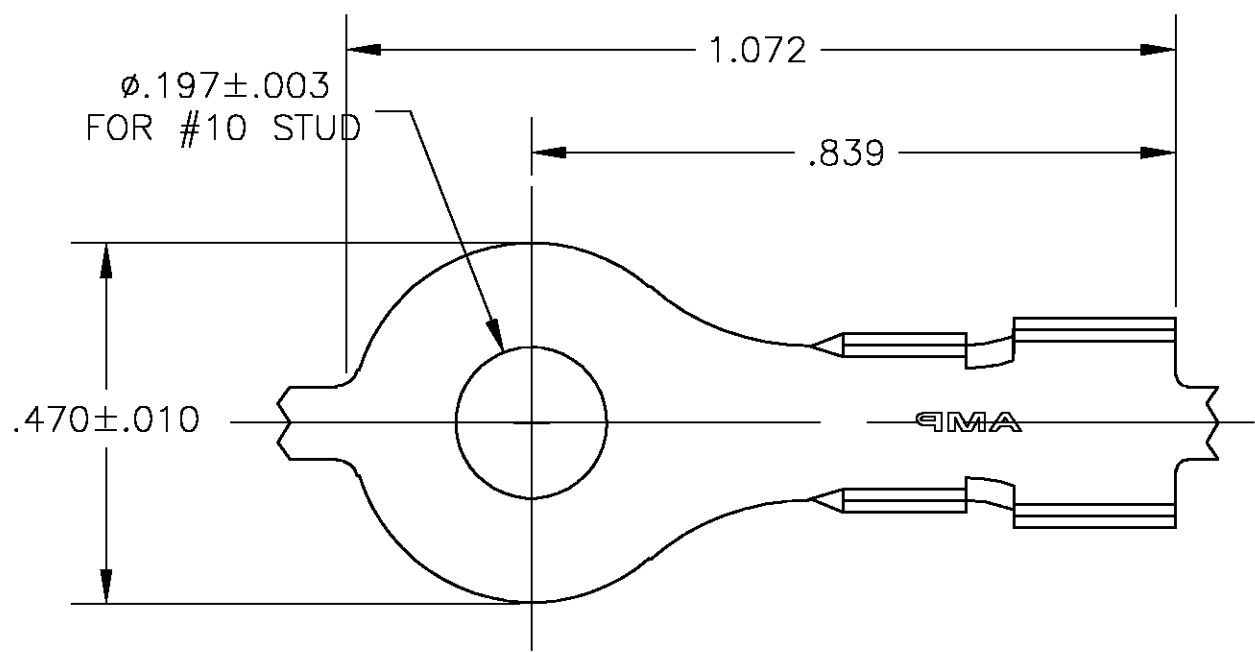
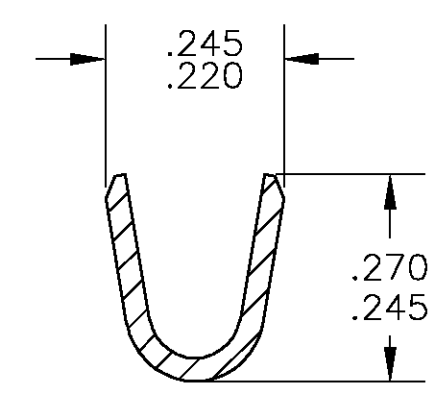
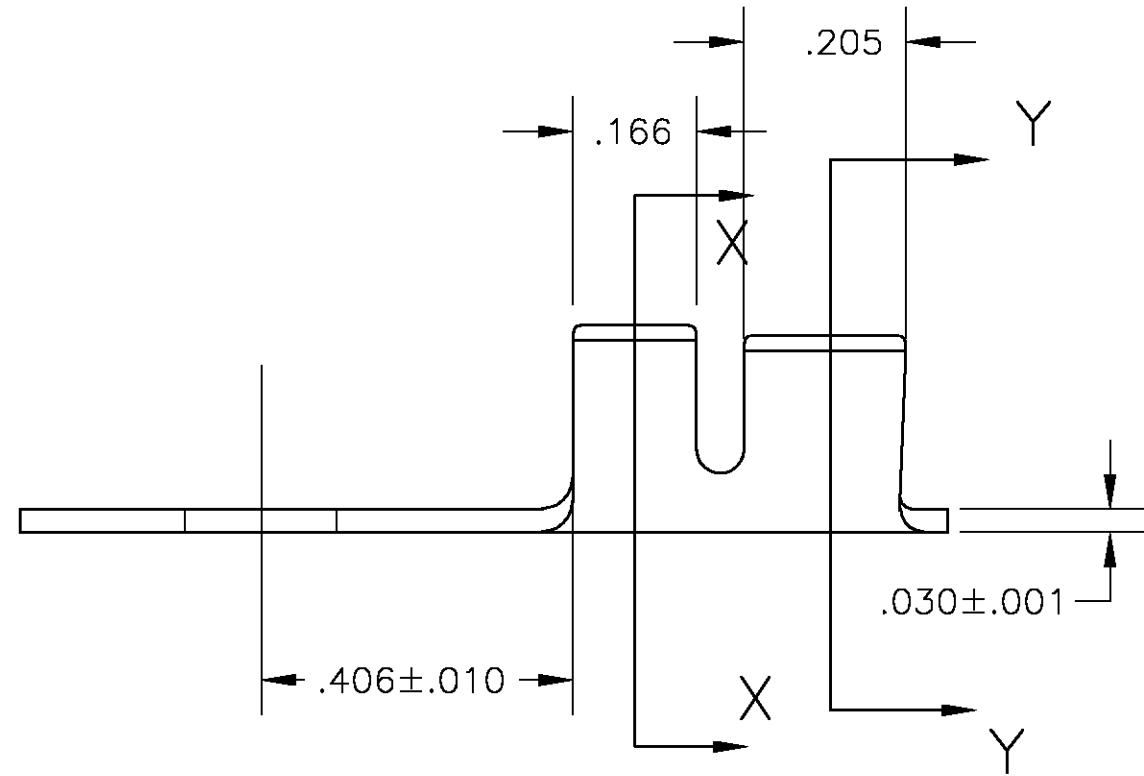


THIS DRAWING IS UNPUBLISHED. RELEASED FOR PUBLICATION
 © COPYRIGHT BY TYCO ELECTRONICS CORPORATION. ALL RIGHTS RESERVED.

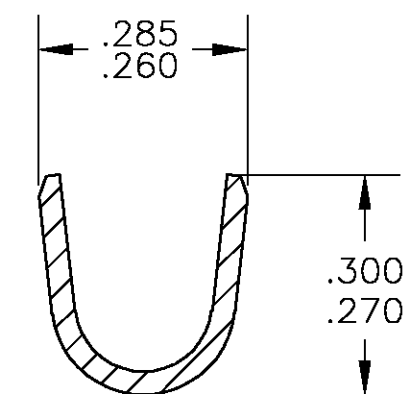
LOC	DIST	REVISIONS			
P	LTR	DESCRIPTION	DATE	DWN	APVD
AF	50	C	REV PER 0G3A-0385-03	19JUN03	jr DD



- 1 CONTINUOUS STRIP ON REELS
- 2 WIRE SIZE IS 12-10 AWG
- 3 INSULATION RANGE IS .150-.210 DIA



SECTION X-X



SECTION Y-Y

42722-1
PART NO

THIS DRAWING IS A CONTROLLED DOCUMENT.		DWN jr_ruth 19JUN03	Tyco Electronics Corporation Harrisburg, PA 17105		
DIMENSIONS: INCHES		CHK D DECKER 19JUN03			
TOLERANCES UNLESS OTHERWISE SPECIFIED:		APVD D DECKER 19JUN03	PRODUCT SPEC		
0 PLC ± - 1 PLC ± - 2 PLC ± - 3 PLC ± .015 4 PLC ± - ANGLES ± 1°		APPLICATION SPEC		SIZE A3	RESTRICTED TO
MATERIAL 082 BRASS		WEIGHT -		CAGE CODE 00779	DRAWING NO C-42722
CUSTOMER DRAWING			SCALE 4:1	SHEET 1 OF 1	REV C