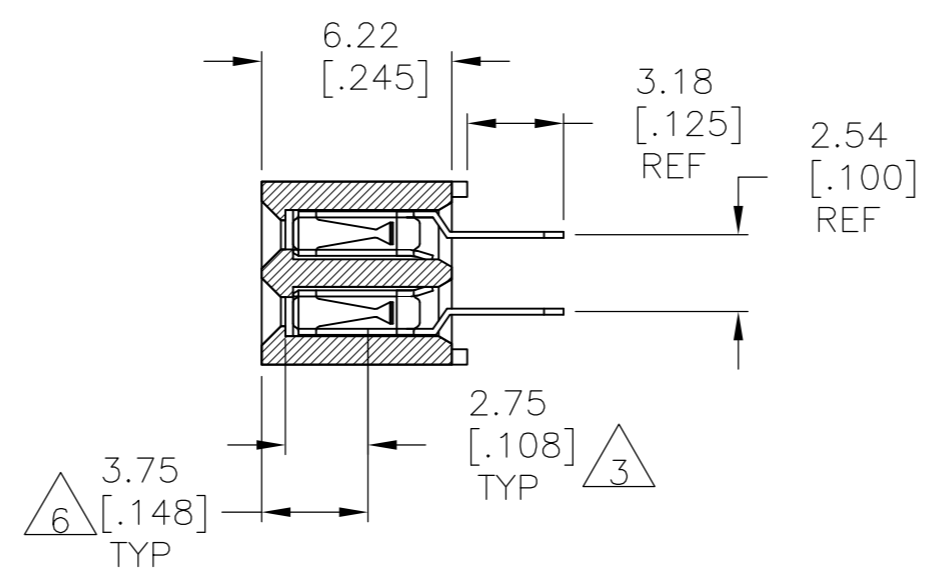
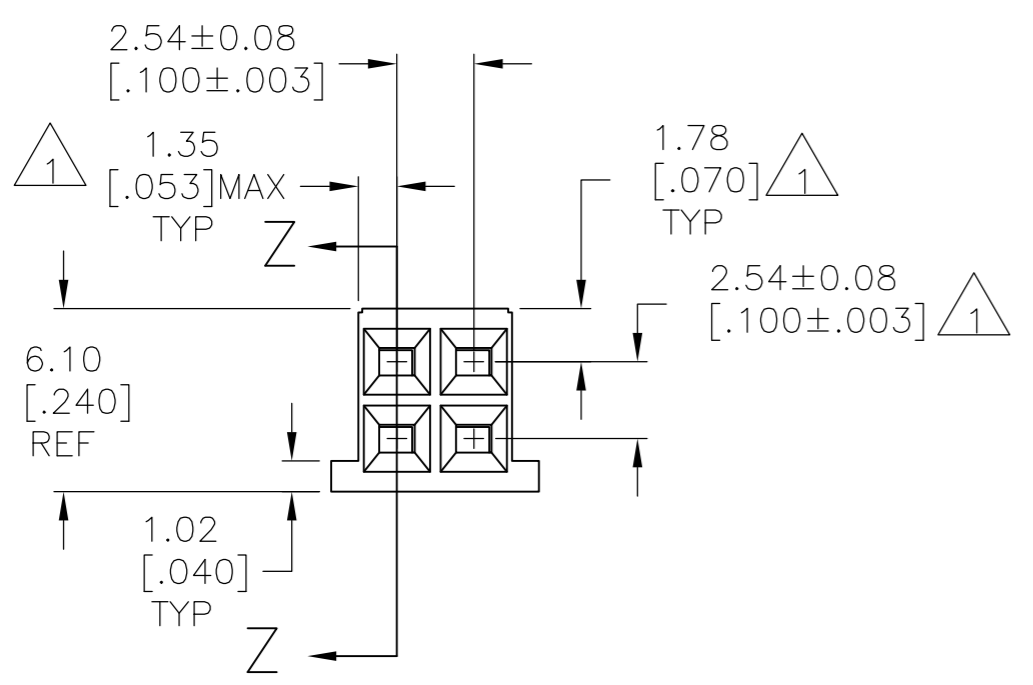
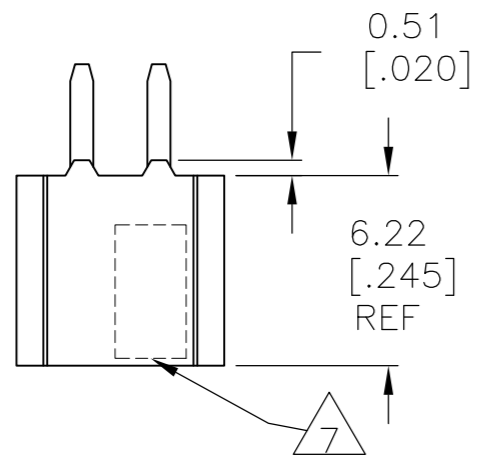


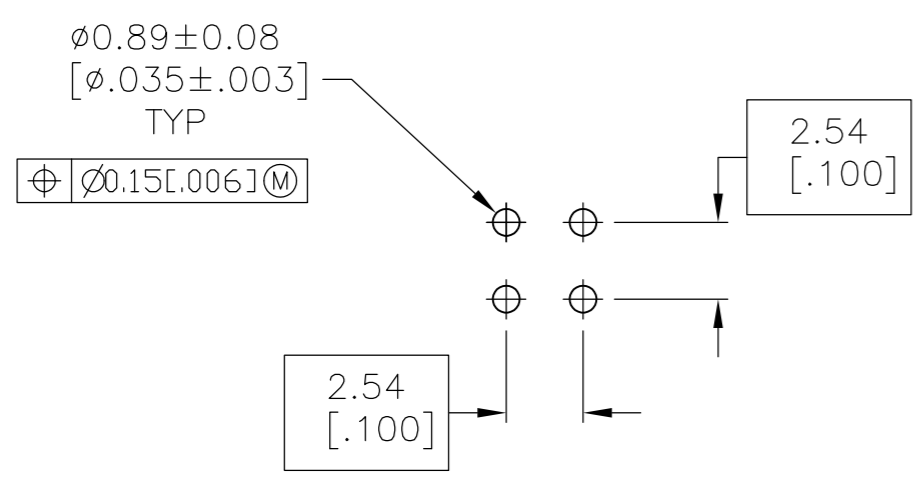
THIS DRAWING IS UNPUBLISHED. RELEASED FOR PUBLICATION  
 © COPYRIGHT BY TYCO ELECTRONICS CORPORATION. ALL RIGHTS RESERVED.

LOC	DIST	REVISIONS			
P	LTR	DESCRIPTION	DATE	DWN	APVD
B		EC 0G3C 0809 04	30JAN05	BSV	JRO
B1		REVISED PER ECO-09-021826	02SEP09	KK	AEG

- 1 THESE DIMENSIONS PERTAIN TO CAVITY CENTERLINES ONLY, NOT TO CONTACT LOCATIONS.
- 2 DUPLEX PLATED: 0.000762 (.000030) GOLD ON CONTACT AREA ONLY, 0.00381-0.00762 (.000150-.000300) BRIGHT TIN-LEAD ON SOLDER LEADS, ALL OVER 1.27 (.000050) MINIMUM NICKEL
- 3 POINT OF MEASUREMENT FOR PLATING THICKNESS (INSIDE CONTACT BEAMS).
- 4 HOUSING MATERIAL: FLAME RETARDANT, GLASS FILLED POLYESTER. COLOR: BLACK.
- 5 CONTACT MATERIAL: PHOSPHOR BRONZE.
- 6 POINT OF CONTACT DIMENSION.
- 7 TYCO LOGO AND CSA LOGO ARE MOLDED IN TO HOUSING
- 8 DUPLEX PLATED: 0.000762 (.000030) GOLD ON CONTACT AREA ONLY, 0.00381-0.00762 (.000150-.000300) MATTE TIN ON SOLDER LEADS, ALL OVER 1.27 (.000050) MINIMUM NICKEL
- 9 ROHS 2002/95/EC COMPLIANT
- 10. NO PART NUMBER MARKING REQUIRED ON THIS PART
- 11 OBSOLETE PARTS: OBSOLETE CIS STREAMLINING PER D.RENAUD/D.SINISI



SECTION Z-Z



RECOMMENDED PC BOARD LAYOUT

9	11	OBSOLETE	8	4	5-104985-1
			2	4	104985-1
				FINISH NUMBER OF POSITIONS	PART NUMBER

THIS DRAWING IS A CONTROLLED DOCUMENT.		DWN	L. BRINER	13-12-96	Tyco Electronics Corporation Harrisburg, Pa 17105-3608
DIMENSIONS: mm [INCHES]		CHK	G. SKIPPER	13-12-96	
TOLERANCES UNLESS OTHERWISE SPECIFIED:		APVD	G. SKIPPER	13-12-96	
0 PLC ± - 1 PLC ± - 2 PLC ± 0.13[.005] 3 PLC ± - 4 PLC ± - ANGLES ± -		NAME		ASSEMBLY, MOD IV, DBL ROW, 2.54[.100] x 2.54[.100]	
MATERIAL	FINISH	WEIGHT	SIZE		CAGE CODE
4 5	2 8	-	A2		00779
CUSTOMER DRAWING			DRAWING NO		RESTRICTED TO
			SCALE		SHEET
			4:1		1 OF 1
			REV		B1