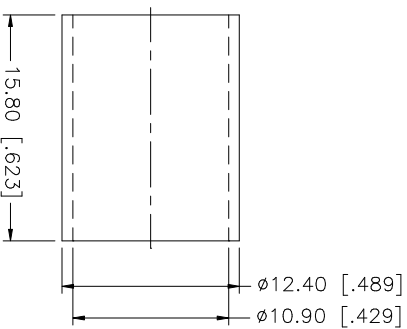
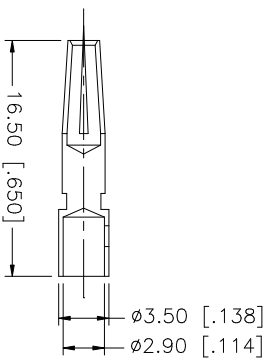
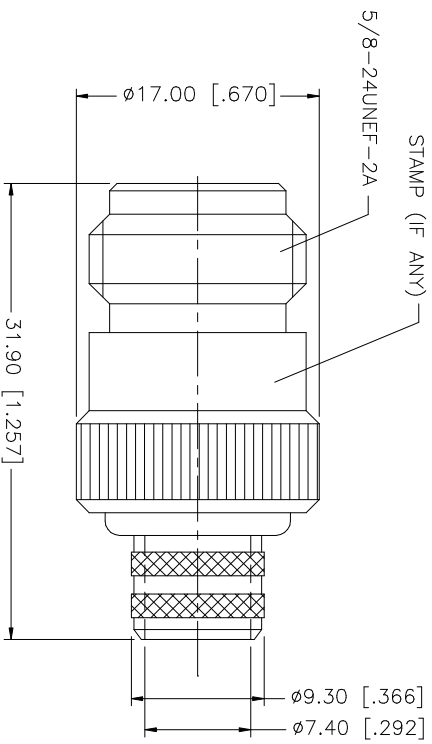
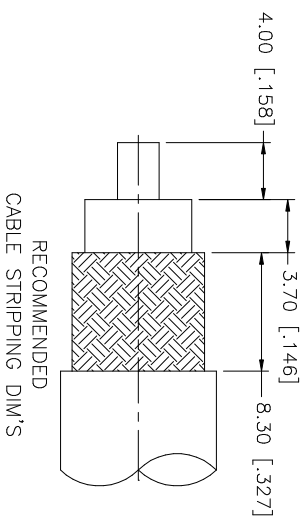


REV.	DATE	DESCRIPTION
A	04/31/03	UPDATE DRAWING FORMAT



- NOTE:
1. CRIMPED FERRULE
HEX. CRIMP SIZE .429"
 2. CRIMPED CONTACT PIN
HEX CRIMP SIZE .118"

QTY	DESCRIPTION	MATERIAL	FINISH	DO NOT SCALE DRAWING	APPROVALS	DATE	PART DESCRIPTION	DWG. NO.	REV.	SIZE	SCALE
1	INSULATOR BODY	BRASS	NEXCOTE	1.180 - 4.724 = ± 0.020"	G.R.S.	04/31/03	N CRIMP JACK (FOR BELDEN 9913, 9914, LMR400 CABLE)	172203.DWG	A	A	NA
1	INSULATOR	TEFLON	NATURAL	.315 - 1.180 = ± 0.015"							
1	CONTACT PIN	PHOS. BRONZE	GOLD	.020 - .315 = ± 0.007"							
1	FERRULE	COPPER	NEXCOTE	30 - 120mm ± 0.50mm							
5				8 - 30mm ± 0.40mm							
6				0.5 - 8mm ± 0.20mm							
7											
8											

Amphenol **Comnex**

N CRIMP JACK
(FOR BELDEN 9913, 9914, LMR400 CABLE)

ISSUED	1 OF 1	PART NO.	172203
CHECKED		DWG. NO.	172203.DWG
DRAWN		REV.	A
APPROVALS		SIZE	A
DATE	04/31/03	SCALE	NA