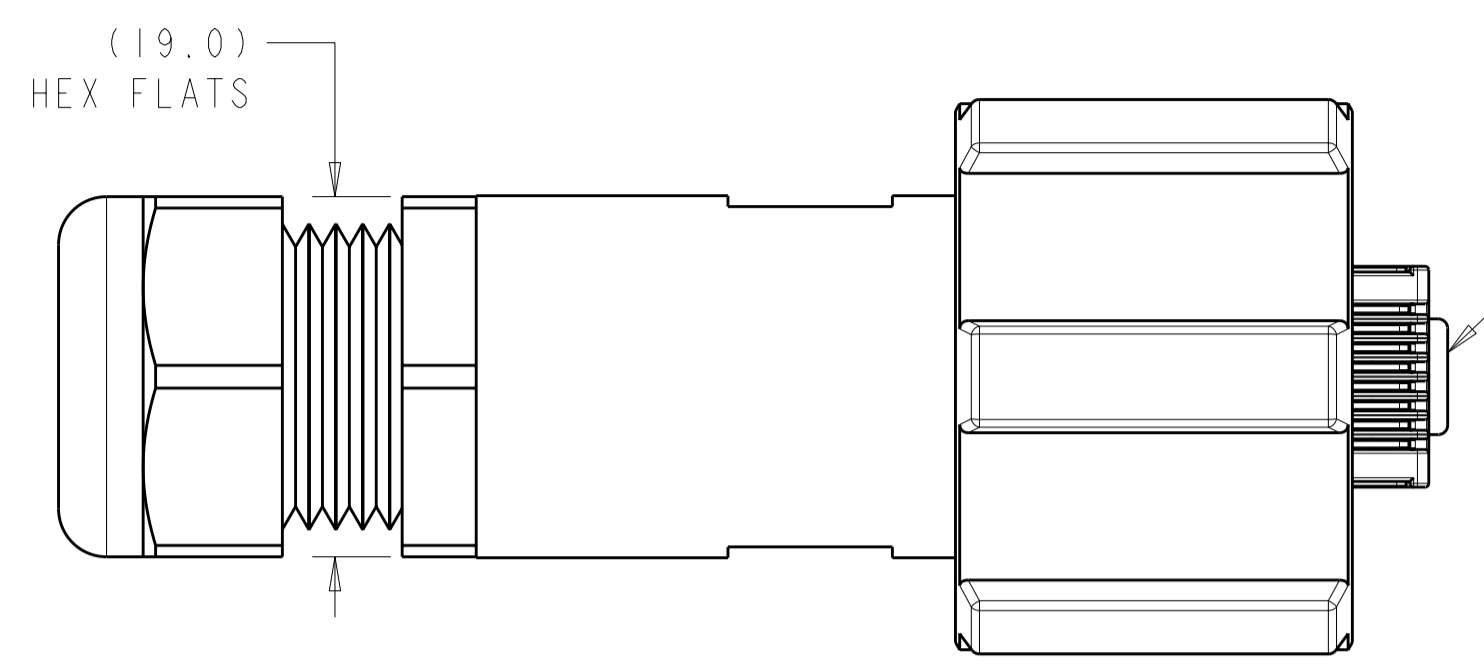
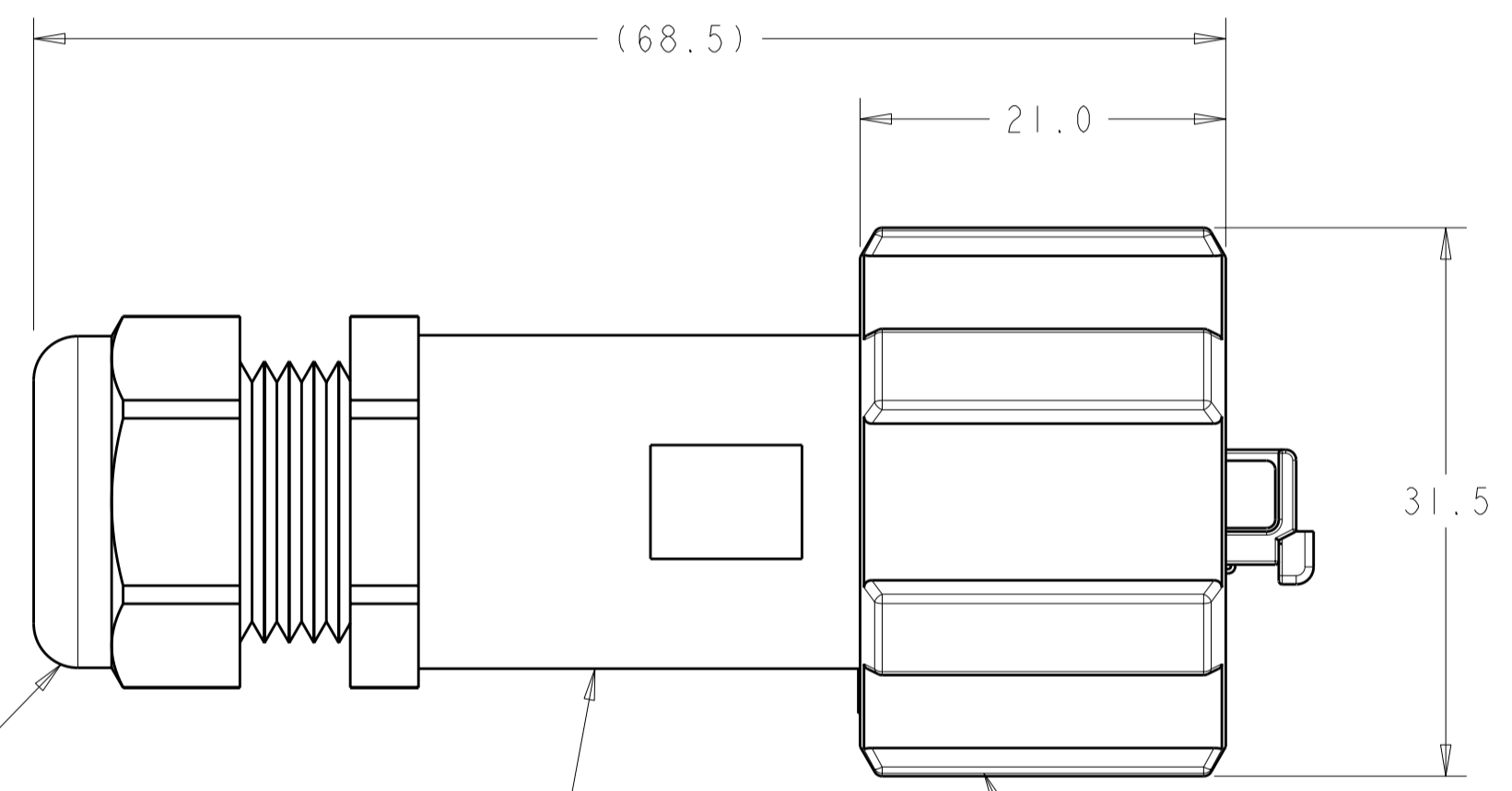


THIS DRAWING IS UNPUBLISHED. RELEASED FOR PUBLICATION 20
 © COPYRIGHT 20 BY TYCO ELECTRONICS CORPORATION. ALL RIGHTS RESERVED.

LOC		DIST		REVISIONS			
P	LTR	DESCRIPTION	DATE	DWN	APVD		
	AI	REVISED PER ECR 10-006879	01APR10	JR	SM		



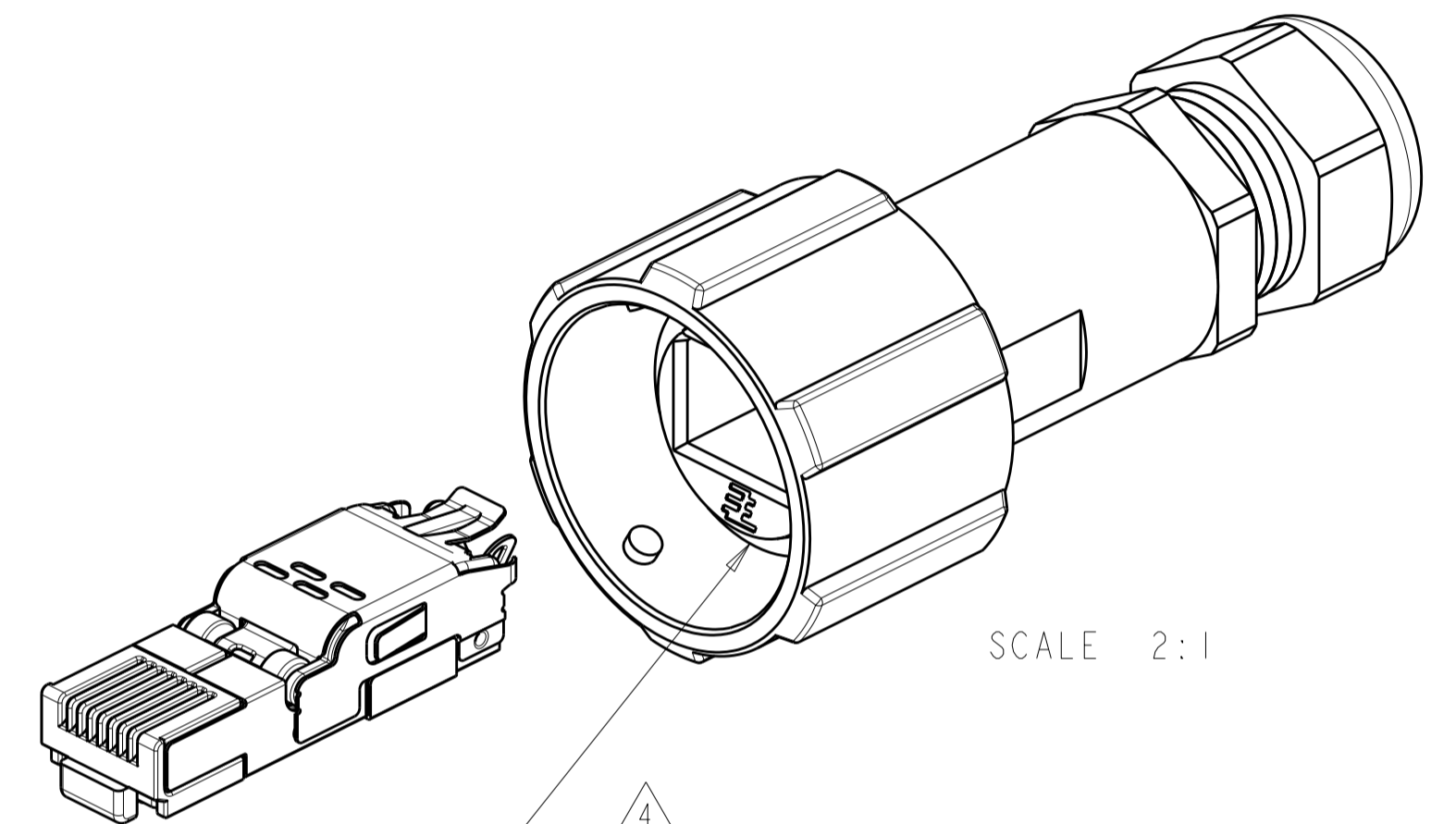
COMMON CORE PLUG ASSEMBLY
 TERMINAL HOUSING - NYLON
 CONTACT - COPPER ALLOY
 SHELL - COPPER ALLOY



1 CABLE FITTING
 POLYIMIDE AND ELASTOMER
 COLOR: BLACK

3 PLUG HOUSING
 POLYESTER, COLOR: BLACK

COUPLING RING
 POLYESTER, COLOR: BLACK



SCALE 2:1

4 INTERFACIAL SEAL
 ELASTOMER, COLOR: ORANGE-RED

CAT 6	CORE, 8P ASSEMBLY	1954656-3
CAT 5/5E	CORE, 8P ASSEMBLY	1954656-2
CAT 5/5E	CORE, 4P ASSEMBLY	1954656-1
CABLE TYPE	COMMON CORE TYPE	PART NUMBER

1 CABLE DIAMETER RANGE, 4.0 mm TO 7.0 mm, CABLE FITTING ONLY,
 SEE APPLICATION SPECIFICATION FOR COMMON CORE TERMINATION INFORMATION

2. PARTS PACKAGED UNASSEMBLED IN POLYBAG.

3 GEOMETRY CAN VARY.

4 ELASTOMER SEAL IS SECURED TO HOUSING WITH ADHESIVE.

<small>THIS DRAWING IS A CONTROLLED DOCUMENT FOR TYCO ELECTRONICS CORPORATION IT IS SUBJECT TO CHANGE AND THE CONTROLLING ENGINEERING ORGANIZATION SHOULD BE CONTACTED FOR THE LATEST REVISION.</small>		DWN 05DEC2006 C. DAILY CHK 05DEC2006 J. LANDIS APVD -	Tyco Electronics Harrisburg, PA 17105-3608
DIMENSIONS: mm 	TOLERANCES UNLESS OTHERWISE SPECIFIED: 0 PLC ±0.3 1 PLC ±0.2 2 PLC ±0.10 3 PLC ± 4 PLC ± ANGLES ±1° FINISH -	PRODUCT SPEC 108-2198 APPLICATION SPEC 114-13136 WEIGHT - CUSTOMER DRAWING	NAME PLUG ASSEMBLY COMMON CORE INDUSTRIAL CIRCULAR ETHERNET CONNECTOR SIZE A2 CAGE CODE 00779 DRAWING NO. 1954656 RESTRICTED TO - SCALE 5:2 SHEET 1 OF 1 REV AI