

**Industrial Ethernet
IE-TO-SCRJ-MM**

Weidmüller Interface GmbH & Co. KG
Klingenbergstraße 16
D-32758 Detmold
Germany
Fon: +49 5231 14-0
Fax: +49 5231 14-292083
www.weidmueller.com



Mounting rail outlet, SC-RJ junction design according to IEC 61754-24

General ordering data

Type	IE-TO-SCRJ-MM
Order No.	8946990000
Version	Mounting rail outlet, fibre-optic, SCRJ, Multimode, POF, IP 20
GTIN (EAN)	4032248735006
Qty.	10 pc(s).

Data sheet

**Industrial Ethernet
IE-TO-SCRJ-MM**

Weidmüller Interface GmbH & Co. KG
 Klingenbergstraße 16
 D-32758 Detmold
 Germany
 Fon: +49 5231 14-0
 Fax: +49 5231 14-292083
 www.weidmueller.com

Technical data

Dimensions and weights

Net weight 38.7 g

Temperatures

Operating temperature, max.	70 °C	Operating temperature	-40 °C...70 °C
Storage temperature		Temperature range, installation, min.	-25 °C
Installation temperature		Temperature range, installation, max.	70 °C

Downloads

PROFINET Manufacturer's Declaration PN Manufacturer Declaration.pdf

General data

Colour	Light Grey	Connection 1	SCRJ
Connection 2	SCRJ	Fibre type	Multimode, POF
Housing main material	PA UL 94 V0	Plugging cycles	1000
Protection degree	IP 20	Type of mounting	TS 35

Standards

Connector standard IEC 61754-24

Classifications

ETIM 3.0	EC000018	ETIM 4.0	EC000018
ETIM 5.0	EC000018	ETIM 6.0	EC000018
UNSPSC	30-21-18-01	eClass 6.2	27-25-05-04
eClass 7.1	27-25-05-04	eClass 8.1	19-17-01-25
eClass 9.0	19-17-01-25		

Approvals

Approvals



ROHS Conform

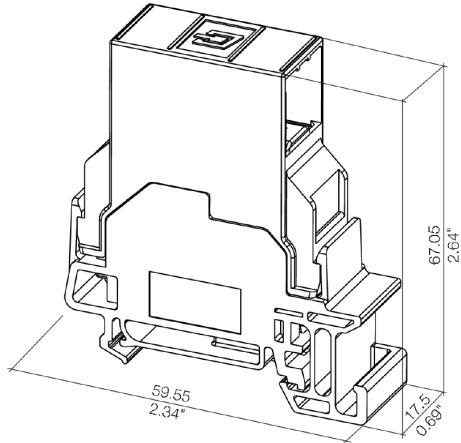
Data sheet

**Industrial Ethernet
IE-TO-SCRJ-MM**

Weidmüller Interface GmbH & Co. KG
Klingenbergstraße 16
D-32758 Detmold
Germany
Fon: +49 5231 14-0
Fax: +49 5231 14-292083
www.weidmueller.com

Drawings

Dimensioned drawing



Drawing

