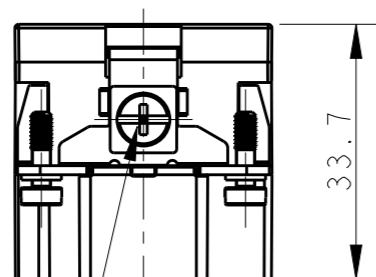
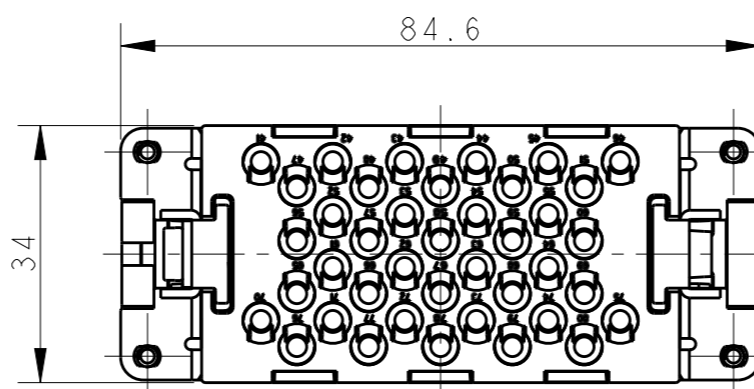
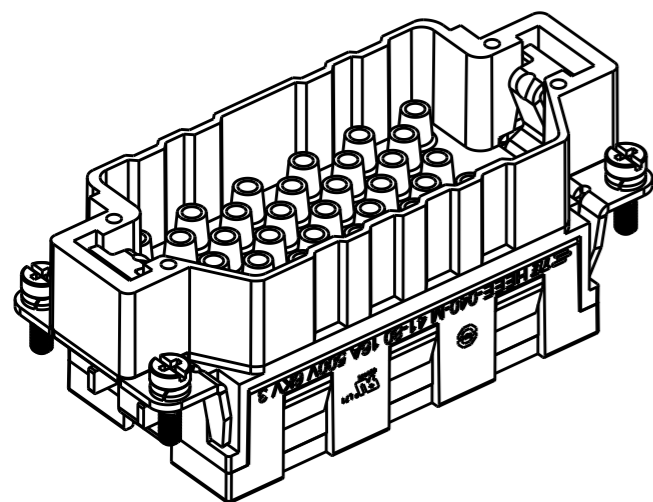


REVISIONS

| P | LTR | DESCRIPTION | DATE | DWN | APVD |
|---|-----|-------------|-----------|-----|------|
| | A | INITIAL | 12APR2016 | YC | CW |



NOTES:

- TECHNICAL CHARACTERISTICS:
 INSULATION MATERIAL: PC
 RATED VOLTAGE: 500V
 RATED CURRENT: 16A
 INSULATION RESISTANCE: $\geq 400M\Omega$
 RATED IMPULSE VOLTAGE: 6KV
 POLLUTION DEGREE: 3
 FLAMMABILITY: UL94V-0
 MATING CYCLES: 500 CYCLES
 WIRE RANGE: 0.14mm²~4mm² (AWG26-AWG12)
 CONTACT TYPE: CRIMP CONTACT
- CONTACTS NEED TO BE ORDERED SEPARATELY.
 (ORDER No. REFER TO DRAWING:T20300X10XX000)

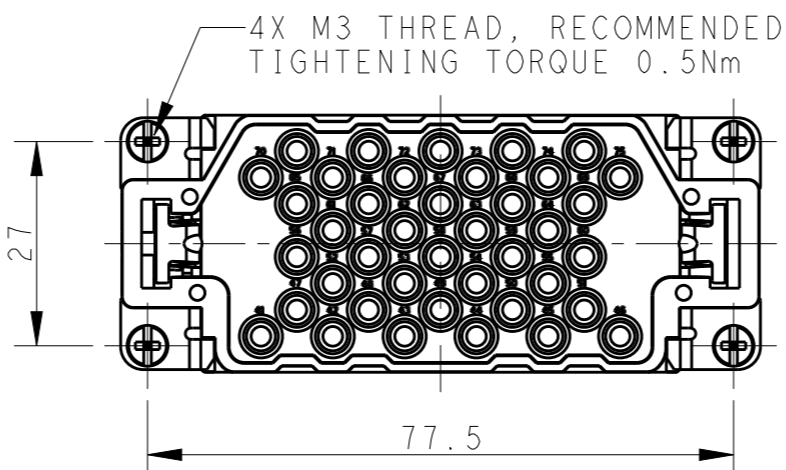
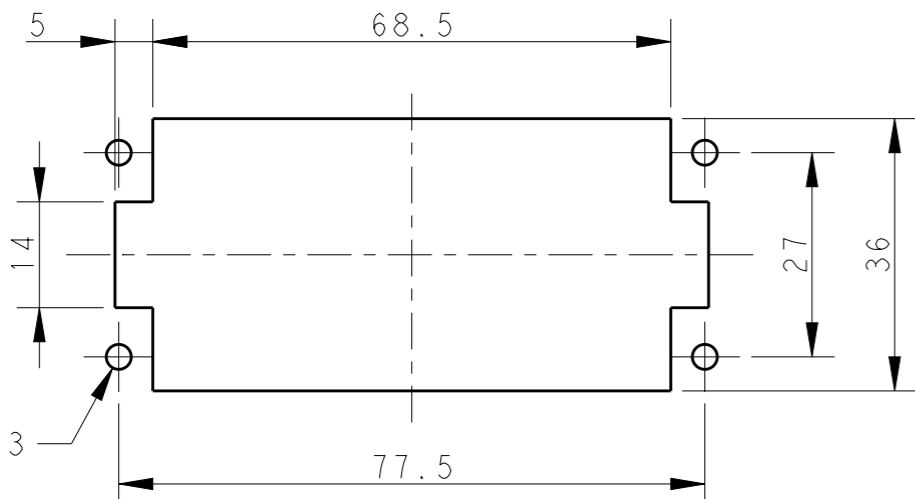
注释:

- 技术参数:
 绝缘材料: PC
 额定电压: 500V
 额定电流: 16A
 绝缘电阻: $\geq 400M\Omega$
 脉冲电压: 6KV
 污染等级: 3
 阻燃等级: UL94V-0
 插拔次数: 500次
 工作温度: -40°C~+125°C
 接线范围: 0.14mm²~4mm² (AWG26-AWG12)
 接线类型: 冷压接
- 端子需要单独订购。
 (订货号参考图面: T20300X10XX000)

M4 THREAD RECOMMENDED TIGHTENING TORQUE 1.2Nm

4X M3 THREAD, RECOMMENDED TIGHTENING TORQUE 0.5Nm

PANEL CUT FOR INSERTS FOR USE WITHOUT HOODS/ HOUSINGS



THIS DRAWING IS A CONTROLLED DOCUMENT.

| DIMENSIONS: | TOLERANCES UNLESS OTHERWISE SPECIFIED: |
|-------------|--|
| mm | 0 PLC ±- |
| | 1 PLC ±- |
| | 2 PLC ±- |
| | 3 PLC ±- |
| | 4 PLC ±- |
| | ANGLES ±- |
| MATERIAL | FINISH |
| - | - |
| - | - |

| | | |
|------------------|------------|-----------|
| DWN | YORK CHEN | 12APR2016 |
| CHK | KYLE ZENG | 12APR2016 |
| APVD | CHRIS WANG | 12APR2016 |
| PRODUCT SPEC | 108-137068 | |
| APPLICATION SPEC | 108-137068 | |
| WEIGHT | - | |
| Customer Drawing | | |

| | | | |
|----------------------------|------------------|------------------|---------------|
| T2050802101-000 | HEEE-040-M 41-80 | | |
| HEEE-040公插 41-80 | | | |
| PART NUMBER | PART DESCRIPTION | | |
| 料号 | 描述 | | |
| STE TE Connectivity | | | |
| NAME HEEE-040-M 41-80 | | | |
| SIZE | CAGE CODE | DRAWING NO | RESTRICTED TO |
| A3 | 00779 | ©-T2050802101000 | - |
| SCALE 1:1 | | SHEET 1 OF 1 | REV A |