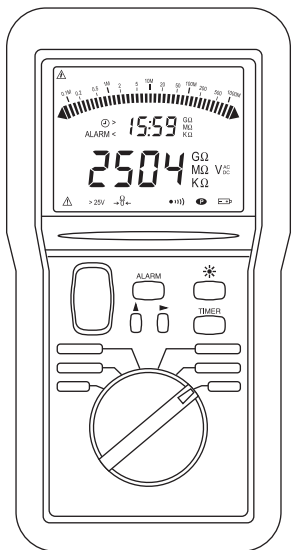


INSTRUCTION MANUAL MANUAL DE INSTRUCCIONES MANUEL D'INSTRUCTIONS



GREENLEE®

A Textron Company



5878 • 5880 • 5882

**Megohmmeters
Megóhmetros
Megohmmetres**



Read and understand all of the instructions and safety information in this manual before operating or servicing this tool.

Lea y entienda todas las instrucciones y la información sobre seguridad que aparecen en este manual, antes de manejar estas herramientas o darles mantenimiento.

Lire attentivement et bien comprendre toutes les instructions et les informations sur la sécurité de ce manuel avant d'utiliser ou de procéder à l'entretien de cet outil.

Description

The Greenlee 5878, 5880 and 5882 Megohmmeters are intended to test insulation, detect voltage and verify continuity. The megohmmeters automatically discharge the tested object when the test is completed. In addition, the 5882 can measure resistance.

Safety

Safety is essential in the use and maintenance of Greenlee tools and equipment. This instruction manual and any markings on the tool provide information for avoiding hazards and unsafe practices related to the use of this tool. Observe all of the safety information provided.

Purpose of This Manual

This instruction manual is intended to familiarize all personnel with the safe operation and maintenance procedures for the Greenlee 5878, 5880, and 5882 Megohmmeters.

Keep this manual available to all personnel.

Replacement manuals are available upon request at no charge at www.greenlee.com.



Do not discard this product or throw away!

For recycling information, go to www.greenlee.com.

All specifications are nominal and may change as design improvements occur. Greenlee Textron Inc. shall not be liable for damages resulting from misapplication or misuse of its products.

© Registered: The color green for electrical test instruments is a registered trademark of Greenlee Textron Inc.

KEEP THIS MANUAL

Important Safety Information



SAFETY ALERT SYMBOL

This symbol is used to call your attention to hazards or unsafe practices which could result in an injury or property damage. The signal word, defined below, indicates the severity of the hazard. The message after the signal word provides information for preventing or avoiding the hazard.

DANGER

Immediate hazards which, if not avoided, **WILL** result in severe injury or death.

WARNING

Hazards which, if not avoided, **COULD** result in severe injury or death.

CAUTION

Hazards or unsafe practices which, if not avoided, **MAY** result in injury or property damage.



WARNING

Read and understand this material before operating or servicing this equipment. Failure to understand how to safely operate this tool could result in an accident causing serious injury or death.



WARNING

Electric shock hazard:
Contact with live circuits could result in severe injury or death.

Important Safety Information

WARNING

Electric shock hazard:

- Do not expose this unit to rain or moisture.
- Do not use the unit if it is wet or damaged.
- Use test leads or accessories that are appropriate for the application. Refer to the category and voltage rating of the test lead or accessory.
- Inspect the test leads or accessory before use. They must be clean and dry, and the insulation must be in good condition.
- Use this unit for the manufacturer's intended purpose only, as described in this manual. Any other use can impair the protection provided by the unit.

Failure to observe these warnings could result in severe injury or death.

WARNING

Electric shock hazard:

- Do not apply more than the rated voltage between any two input terminals, or between any input terminal and earth ground.
- Do not contact the test lead tips or any uninsulated portion of the accessory.
- Do not contact the test lead tips while performing the insulation resistance test.
- Do not contact the test lead tips while the continuity function (20 Ω) is selected.

Failure to observe these warnings could result in severe injury or death.

WARNING

Electric shock hazard:

- Do not operate with the case open.
- Before opening the case, remove the test leads from the circuit and shut off the unit.

Failure to observe these warnings could result in severe injury or death.

Important Safety Information

WARNING

Electric shock hazard:

- Shut off and lock out power. Make sure that all capacitors are discharged. Voltage must not be present.
- Set the selector and connect the test leads so that they correspond to the intended measurement. Incorrect settings or connections can result in a blown fuse.
- Using this unit near equipment that generates electromagnetic interference can result in unstable or inaccurate readings.

Failure to observe these warnings could result in severe injury or death.

WARNING

Electric shock hazard:

The fuse is an integral part of the overvoltage protection. When fuse replacement is necessary, refer to “Specifications” for the correct type, size and capacity. Using any other type of fuse will void the overvoltage protection rating of the unit.

Failure to observe this warning could result in severe injury or death.

CAUTION

Electric shock hazard:

Do not change the measurement function while the test leads are connected to a component or circuit.

Failure to observe this precaution may result in injury and can damage the unit.

CAUTION

Electric shock hazard:

- Do not attempt to repair this unit. It contains no user-serviceable parts.
- Do not expose the unit to extremes in temperature or high humidity. Refer to “Specifications.”

Failure to observe these precautions may result in injury and can damage the unit.

Identification

All Models

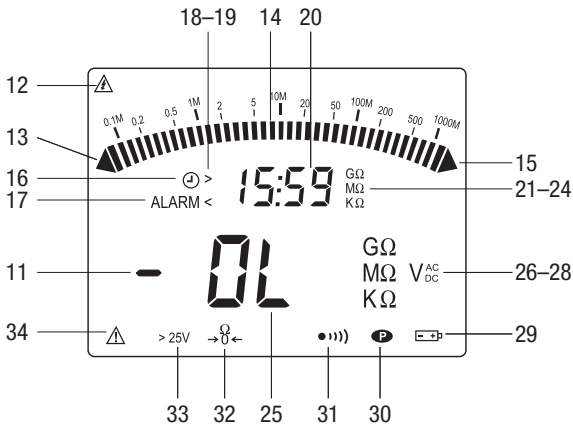
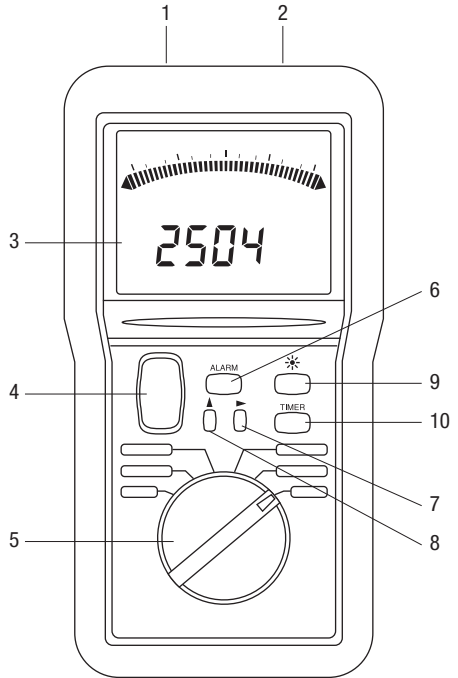
1. Positive (+) Input Terminal
2. Negative (-) Input Terminal
3. Display
4. Insulation Resistance Test Button
5. Selector

Models 5880 and 5882 Only

6. Alarm Button
7. ► Select a Parameter or Value
8. ▲ Change the Value
9. * Backlight
10. TIMER






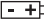


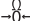

Model 5882 Only

10. TIMER



Identification (cont'd)

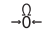
Display Icons

11. – Polarity indicator
12.  Insulation resistance test in progress
13.  Insulation resistance is less than 50 k Ω
14.  Bar graph element
15.  Insulation resistance is greater than 2 G Ω
16.  Timer is active
17. ALARM Alarm is on, or programming is in progress
18. < Alarm will trigger if measured value is less than the setpoint
19. > Alarm will trigger if measured value is greater than the setpoint
20. 00:00 Timekeeper display or
0000 Setpoints
21. G 10⁹
22. M 10⁶
23. k 10³
24. Ω Ohms
25. OL Overload (insulation resistance is greater than 2 G Ω or voltage is greater than 600 V)
26. V Volts
27. AC Alternating Current
28. DC Direct Current
29.  Battery status
30.  Auto power off is inactive
31.  Speaker is active
32.  Lead resistance is compensated
33. > 25 Circuit voltage is greater than 25 volts; insulation resistance test (yellow button) is disabled
34.  Read the instruction manual

Identification (cont'd)

Other Symbols

BAT Insufficient battery power

 (flashing) Lead resistance is compensated incorrectly and 

FUS Replace the fuse

---- Insulation resistance is less than:

- 50 k Ω on the 250 V range
- 100 k Ω on the 500 V range
- 200 k Ω on the 1000 V range

Symbols on the Unit

 Warning—Read the instruction manual

 Fuse

 Double insulation

 Battery

 Recycle product in accordance with manufacturer's directions

Using the Features

Insulation Resistance Measurement Test Button (Yellow Button)

Press to apply the test voltage to the item to be tested. Release to terminate the test.



- While the yellow insulation resistance test button is pressed, the  will appear on the display.
- See the Indicator Table for results of the insulation test.

Alarm (Models 5880 and 5882 only)

Press **ALARM** to turn the alarm on and review the setpoints. Press again to turn the alarm off.



Note: When the alarm function is active, a continuous tone and flashing ALARM on the display indicate that the measured value matches the alarm setpoint.

Alarm Setpoints (Models 5880 and 5882 only)

1. Press and hold **ALARM** to review the setpoints.
2. Press  and  to change the setpoints. Press and hold **ALARM** to save the settings.
 - Default settings are:
 - > 0.25 M Ω (M Ω – 250 V position)
 - > 0.50 M Ω (M Ω – 500 V position)
 - > 1.00 M Ω (M Ω – 1000 V position)
 - < 20.00 k Ω (400 k Ω position)
 - < 2.00 Ω (20 Ω position)
 - Minimum/Maximum settings are:
 - < or > 0.05 M Ω / 2000 M Ω (M Ω – 250 V position)
 - < or > 0.10 M Ω / 2000 M Ω (M Ω – 500 V position)
 - < or > 0.2 M Ω / 2000 M Ω (M Ω – 1000 V position)
 - < or > 0 Ω / 399.9 k Ω (400 k Ω position)
 - < or > 0 Ω / 19.99 Ω (20 Ω position)

Note: The megohmmeter will correct any setting that is entered improperly.

Timed Insulation Resistance Test (Model 5882 only)

1. Press **TIMER**. The  icon and a timekeeper (0:00) will appear on the display.
2. Press and release the yellow test button to start the timer and initiate the test voltage. The  will appear on the display and the timekeeper will show the elapsed time.
3. Make a note of the reading on the display when the speaker sounds (after 30 seconds, 1 minute, and 10 minutes).
4. Press the yellow test button to terminate the test.

Using the Features (cont'd)

5. Use the readings to calculate the DAR (dielectric absorption rate):

$$\text{DAR} = \frac{\text{measurement after 1 minute}}{\text{measurement after 30 seconds}}$$

6. Use the readings to calculate the PI (polarization index):

$$\text{PI} = \frac{\text{measurement after 10 minutes}}{\text{measurement after 1 minute}}$$

The following parameters indicate acceptable insulation:

$$\text{DAR} > 1.25$$

$$\text{PI} > 2$$

Note: The timed test will automatically shut off after 15 minutes.

Speaker

See the Indicator Table for information on the tones generated by the speaker.

To disable the speaker:

- Model 5878: Set the selector to 20 Ω , then press the yellow test button. The **••••** icon will disappear from the display.
- Model 5880 and 5882: Press **ALARM** while turning the unit ON. The **••••** icon will not appear on the display.

To enable the speaker on any model: Switch the unit OFF, then back ON.

Backlight

Press ***** to turn on the backlight. Press again to turn off.

Note: The backlight will automatically shut off after 1 minute.

Automatic Power-Off

To extend battery life, the megohmmeter will shut itself off after approximately 5 minutes of inactivity.





To restore power, press any button or rotate the selector.

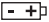
Models 5880 and 5882 only: To disable this feature, press and hold ***** while turning the power ON. The **P** icon will appear on the display.

Indicators

The Indicator Table provides information for interpreting the battery status indicator, results of the insulation test, and the tones produced by the speaker.

Indicator Table

Feature	Indication	Explanation
Battery Status*	No display	Good battery.
	 Flashing	Battery life is limited.
	 Continuous	Battery is low. Measurements may not be accurate. Replace the battery.
	BAT	Battery is discharged. Unit will shut down automatically.
Speaker	A short, low-pitched tone	<ul style="list-style-type: none"> any button is pressed the automatic power off feature is turning the unit off lead resistance compensation TIMER function (sounds at 30 seconds, 1 minute, and 10 minutes)
	A continuous, low-pitched tone	<ul style="list-style-type: none"> the measurement is lower than the minimum alarm setpoint the measurement is higher than the maximum alarm setpoint
	A short, high-pitched tone	An inactive button is pressed (except the yellow test button).
	A repeated, high-pitched tone	The automatic voltage check has measured more than 25 volts and the insulation resistance test is in progress. Insulation test will be disabled.
Insulation Resistance Test	OL	The insulation resistance is greater than 2.0 GΩ.
		The insulation resistance is greater than 1.1 GΩ.
	-----	The insulation resistance is less than: <ul style="list-style-type: none"> 50 kΩ at 250 V 100 kΩ at 500 V 200 kΩ at 1000 V
		The insulation resistance is less than 70 kΩ.

* After turning the megohmmeter on, the display will show the  icon and the approximate amount of battery life as a percentage.

Operation



⚠ WARNING

Electric shock hazard:
Contact with live circuits could result in severe injury or death.

⚠ WARNING

Electric shock hazard:
Do not contact the test lead tips while the continuity function (20 Ω) is selected.
Failure to observe this warning could result in severe injury or death.

1. Set the selector to the proper setting and connect the test leads to the meter.
2. See “Typical Measurements” for specific measurement instructions.
3. Test the unit on a known functioning circuit or component.
 - If the unit does not function as expected on a known functioning circuit, replace the batteries and/or fuse.
 - If the unit still does not function as expected, send the unit to Greenlee for repair.
4. Take the reading from the circuit or component to be tested.

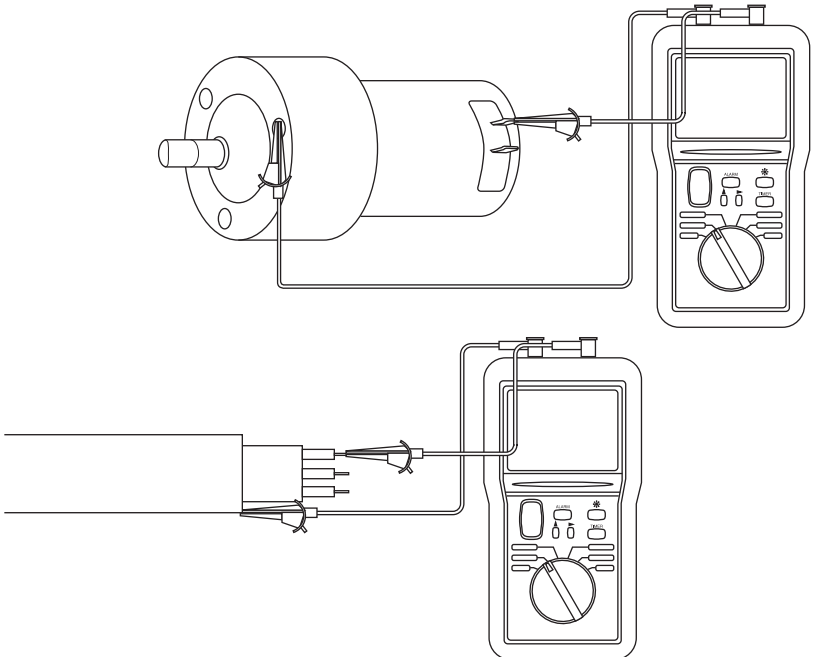
Typical Measurements

Insulation Resistance Test

1. Set the selector to the appropriate $M\Omega$ – voltage range:
 - $M\Omega$ – 250 V
 - $M\Omega$ – 500 V
 - $M\Omega$ – 1000 V
2. Connect the + lead to the ground and the – lead to the test point.

After connection, the megohmmeter automatically will measure the voltage of the item under test. If voltage is present, the voltage will appear on the display.

- If the voltage is more than 0 V, but less than 25 V, the results of the insulation resistance test might not be accurate.
 - If the voltage is greater than 25 V, the insulation resistance test function will be disabled.
3. Press the yellow insulation resistance test button to initiate the test voltage.
 4. See the Indicator Table to interpret the display.
 5. Release the yellow insulation test button to terminate the test voltage. The megohmmeter will return to voltage measurement mode. Do not disconnect the leads until the voltage is less than 25 volts.



Typical Measurements

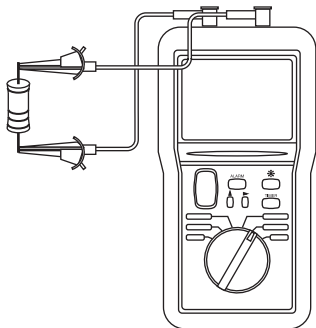
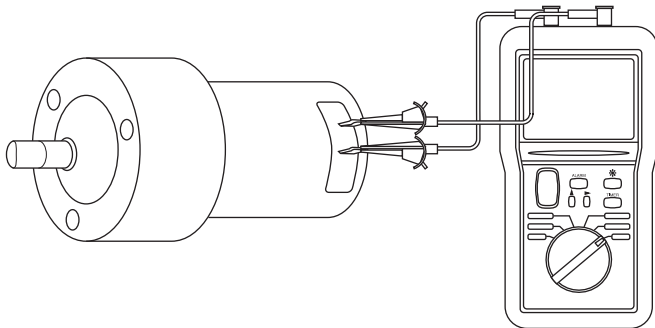
Continuity Check

1. Set the selector to the $20\ \Omega$ position.
2. Connect the test leads across the device to be tested.
3. The display indicates the resistance of the circuit or component, or OL if the resistance is greater than $20\ \Omega$. The internal fuse is automatically tested during the continuity check.

Models 5880 and 5882 only:

To improve the accuracy of the continuity measurement, compensate for the resistance of the test leads as follows:

1. Connect the test leads together.
2. Press and hold \ast until $-\infty-$ appears on the display. This procedure will subtract the lead resistance from the continuity measurement.
3. To cancel this compensation, press and hold \ast until $-\infty-$ disappears from the display.



Resistance Measurement (Models 5880 and 5882 only)

1. Set the selector to the $400\ \text{k}\Omega$ position.
2. Connect the test leads across the device to be tested.
3. The display indicates the resistance of the circuit or component, or OL if the resistance is greater than $400\ \text{k}\Omega$.

Accuracy

Accuracy is specified as follows: \pm (a percentage of the reading + a fixed amount) at 20 °C to 26 °C (68 °F to 78.8 °F), 45% to 55% relative humidity.

Accuracy Table

Value	Range	Accuracy	Notes
AC Test	399.9 V	—	300 k Ω Input Impedance
	600 V		
Insulation Resistance* Testing	39.99 M Ω	\pm (3% + 0.05 M Ω)	
	399.9 M Ω	\pm (3% + 0.2 M Ω)	
	2.000 G Ω	\pm (3% + 0.002 G Ω)	
Continuity	0.00 to 20.00 Ω	\pm (3% + 0.01 Ω)	Open Circuit Voltage: 7 V to 9 V Test Current: 200 mA
Resistance*	399.9 Ω	\pm (3% + 0.5 Ω)	Open Circuit Voltage: 7 V to 9 V
	3999 Ω	\pm (3% + 5 Ω)	
	39.99 k Ω	\pm (3% + 0.01 k Ω)	
	399.9 k Ω	\pm (3% + 0.1 k Ω)	

* Capacitance between 0 and 5 μ F in parallel to resistance can add \pm (10% + 1 d) additional error.

Insulation Resistance Test

Range	Open Circuit Voltage	Test Current	Short Circuit Current
250 V	< 300 V	\geq 1 mA for R \leq 250 k Ω	\leq 3 mA
500 V	< 600 V	\geq 1 mA for R \leq 500 k Ω	
1000 V	< 1200 V	\geq 1 mA for R \leq 1 M Ω	

The residual voltage present on the terminals when the yellow insulation resistance test button is released is automatically discharged through the instrument at a rate of 1.5 s/ μ F into an impedance of 300 k Ω .

Timer (Model 5882 only)

Range	Resolution	Accuracy
0:00 to 15:00 min	1 s	2%

Specifications

Display: 3-1/2-digit LCD (3999 maximum reading) and 35-segment bar graph

Sampling Rate:

Numeric Display: 2.5 per second

Bar Graph Display: 10 per second

Automatic Power-Off: After 5 minutes of inactivity

Temperature Coefficient: \pm (2% + 2 d*) per 10 °C over 26° C or under 20 °C

Operating Conditions:

0 °C to 31 °C (32 °F to 88 °F), 0% to 80% relative humidity (non-condensing)

31 °C to 40 °C (88 °F to 104 °F), relative humidity decreasing linearly from 80% to 50%

Altitude: 2000 m (6500') maximum

Indoor use only

Storage Conditions: -40 °C to 70 °C (-40 °F to 158 °F), 10% to 80% relative humidity

Remove batteries.

Protection Category: IP44

Pollution Degree: 2

Overvoltage Category: Category II, 300 Volts

Battery: Six 1.5 V AA (NEDA 15 A or IEC LR6)

Fuse: 0.63 A/660 V, interrupting rating 30 kA, 1/4" x 1-1/4"

*d refers to the least significant digit (the number in the right-most position).

Measurement Categories

These definitions were derived from the international safety standard for insulation coordination as it applies to measurement, control, and laboratory equipment. These measurement categories are explained in more detail by the International Electrotechnical Commission; refer to either of their publications: IEC 61010-1 or IEC 60664.

Measurement Category I

Signal level. Electronic and telecommunication equipment, or parts thereof. Some examples include transient-protected electronic circuits inside photocopiers and modems.

Measurement Category II

Local level. Appliances, portable equipment, and the circuits they are plugged into. Some examples include light fixtures, televisions, and long branch circuits.

Measurement Category III

Distribution level. Permanently installed machines and the circuits they are hard-wired to. Some examples include conveyor systems and the main circuit breaker panels of a building's electrical system.

Measurement Category IV

Primary supply level. Overhead lines and other cable systems. Some examples include cables, meters, transformers, and other exterior equipment owned by the power utility.

Statement of Conformity

Greenlee Textron Inc. is certified in accordance with ISO 9001 (2000) for our Quality Management Systems.

The instrument enclosed has been checked and/or calibrated using equipment that is traceable to the National Institute for Standards and Technology (NIST).

Maintenance

Battery and Fuse Replacement

WARNING

Electric shock hazard:

Before opening the case, remove the test leads from the circuit and shut off the unit.

Failure to observe this warning could result in severe injury or death.

WARNING

Electric shock hazard:

The fuse is an integral part of the overvoltage protection. When fuse replacement is necessary, refer to "Specifications" for the correct type, size and capacity. Using any other type of fuse will void the overvoltage protection rating of the unit.

Failure to observe this warning could result in severe injury or death.

1. Disconnect the unit from the circuit. Turn the unit OFF.
2. Turn the latch 1/4 turn counterclockwise.
3. Remove the back cover.
4. Replace the batteries (observe polarity) and/or fuse.
5. Replace the cover and turn the latch 1/4 turn clockwise to secure.

Cleaning

Periodically wipe the case with a damp cloth and mild detergent; do not use abrasives or solvents.

Descripción

Los Megóhmetros modelos 5878, 5880 y 5882 de Greenlee están diseñados para verificar aislamiento, detectar tensión y verificar continuidad. Los megóhmetros descargan automáticamente el objeto verificado al finalizar la prueba. Asimismo, el modelo 5882 puede medir resistencia.

Acerca de la seguridad

Es fundamental observar métodos seguros al utilizar y dar mantenimiento a las herramientas y equipo Greenlee. Este manual de instrucciones y todas las marcas que ostenta la herramienta le ofrecen la información necesaria para evitar riesgos y hábitos poco seguros relacionados con su uso. Siga toda la información sobre seguridad que se proporciona.

Propósito de este manual

Este manual de instrucciones tiene como propósito familiarizar a todo el personal con los procedimientos de operación y mantenimiento seguros para los Megóhmetros modelo 5878, 5880 y 5882 de Greenlee.

Manténgalo siempre al alcance de todo el personal.

Puede obtener copias adicionales de manera gratuita, previa solicitud en www.greenlee.com.



¡No deseche ni descarte este producto!

Para información sobre reciclaje, visite www.greenlee.com.

Todas las especificaciones son nominales y pueden cambiar conforme tengan lugar mejoras de diseño. Greenlee Textron Inc. no se hace responsable de los daños que puedan surgir de la mala aplicación o mal uso de sus productos.

© Registrado: El color verde para instrumentos de verificación eléctricos es una marca registrada de Greenlee Textron Inc.

CONSERVE ESTE MANUAL

Importante Información sobre Seguridad



SÍMBOLO DE ALERTA SOBRE SEGURIDAD

Este símbolo se utiliza para indicar un riesgo o práctica poco segura que podría ocasionar lesiones o daños materiales. Cada uno de los siguientes términos denota la gravedad del riesgo. El mensaje que sigue a dichos términos le indica cómo puede evitar o prevenir ese riesgo.

PELIGRO

Peligros inmediatos que, de no evitarse, OCASIONARÁN graves lesiones o incluso la muerte.

ADVERTENCIA

Peligros que, de no evitarse, PODRÍAN OCASIONAR graves lesiones o incluso la muerte.

ATENCIÓN

Peligro o prácticas peligrosas que, de no evitarse, PUEDEN OCASIONAR lesiones o daños materiales.



ADVERTENCIA

Lea y entienda este documento antes de manejar esta herramienta o darle mantenimiento. Utilizarla sin comprender cómo manejarla de manera segura podría ocasionar un accidente y, como resultado de éste, graves lesiones o incluso la muerte.



ADVERTENCIA

Peligro de electrocución:

El contacto con circuitos activados podría ocasionar graves lesiones o incluso la muerte.

Importante Información sobre Seguridad

ADVERTENCIA

Peligro de electrocución:

- No exponga esta unidad ni a la lluvia ni a la humedad.
- No utilice esta unidad si se encuentra mojada o dañada.
- Utilice cables de prueba y accesorios que sean apropiados para la aplicación que se va a realizar. Consulte la información sobre categoría y voltaje nominal del cable de prueba o el accesorio.
- Revise minuciosamente los cables de prueba o el accesorio, antes de utilizarlos. Deberán estar limpios y secos, y su forro aislante deberá hallarse en buenas condiciones.
- Utilícela únicamente para el propósito para el que ha sido diseñada por el fabricante, tal como se describe en este manual. Cualquier otro uso puede menoscabar la protección proporcionada por la unidad.

De no observarse estas advertencias podrían sufrirse graves lesiones o incluso la muerte.

ADVERTENCIA

Peligro de electrocución:

- No aplique más del voltaje nominal entre dos terminales de entrada cualesquiera, o entre una terminal de entrada cualquiera y una conexión a tierra.
- No toque las puntas de los cables de prueba ni ninguna parte del accesorio que carezca de forro aislante.
- No toque las puntas de los cables de prueba mientras realiza una verificación de resistencia de aislamiento.
- No toque las puntas de los cables de prueba mientras la función de continuidad (20 Ω) se halle seleccionada.

De no observarse estas advertencias podrían sufrirse graves lesiones o incluso la muerte.

ADVERTENCIA

Peligro de electrocución:

- No haga funcionar esta unidad con la caja abierta.
- Antes de abrir la caja, retire del circuito los cables de prueba y apague la unidad.

De no observarse estas advertencias podrían sufrirse graves lesiones o incluso la muerte.

Importante Información sobre Seguridad

ADVERTENCIA

Peligro de electrocución:

- Desconecte y bloquee la energía. Asegúrese de que todos los condensadores estén totalmente sin carga. No debe haber tensión alguna.
- Coloque el interruptor de selección y conecte los cables de prueba de modo que correspondan al tipo de medición que se desea efectuar. Si se colocan o se conectan incorrectamente puede quemarse un fusible.
- Al utilizar esta unidad cerca de equipo que genere interferencia electromagnética quizá se obtenga una lectura inexacta e inestable.

De no observarse estas advertencias podrían sufrirse graves lesiones o incluso la muerte.

ADVERTENCIA

Peligro de electrocución:

El fusible es una parte integral para la protección contra sobretensión. Cuando sea necesario reemplazarlo, consulte la sección “Especificaciones” para saber qué tipo, tamaño y capacidad debe tener. Utilizar cualquier otro tipo de fusible anulará la clasificación de protección de sobretensión de la unidad.

De no observarse esta advertencia podrían sufrirse graves lesiones o incluso la muerte.

ATENCIÓN

Peligro de electrocución:

No cambie la función de medición mientras los cables de prueba estén conectados a un componente o circuito.

De no observarse esta precaución podrían sufrirse lesiones o daños a la unidad.

ATENCIÓN

Peligro de electrocución:

- No intente reparar esta unidad, ya que contiene piezas que deben recibir mantenimiento por parte de un profesional.
- No exponga la unidad a ambientes de temperatura extrema ni a altos niveles de humedad. Véase la sección “Especificaciones” en este manual.

De no observarse estas precauciones podrían sufrirse lesiones o daños a la unidad.

Identificación

Todos los modelos

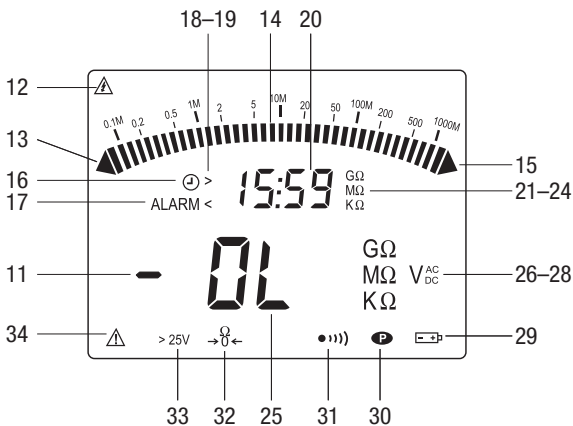
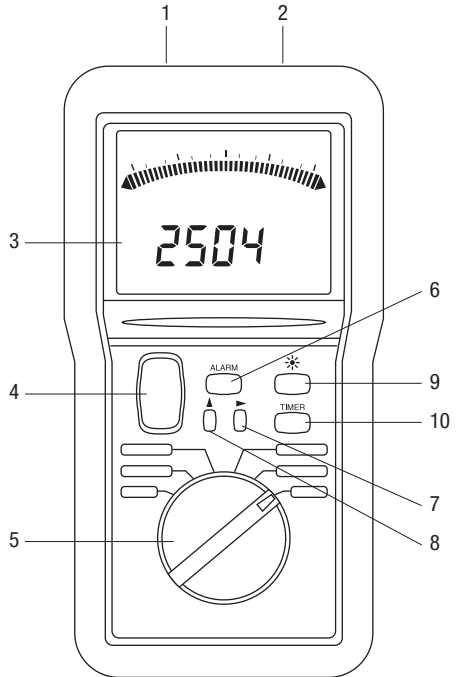
1. Terminal de entrada positiva (+)
2. Terminal de entrada negativa (-)
3. Pantalla
4. Botón de verificación de resistencia de aislamiento
5. Interruptor de selección

Modelos 5880 y 5882 únicamente

6. Botón de alarma
7. ► Seleccionar un parámetro o valor
8. ▲ Cambiar el valor
9. * Luz de fondo






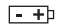

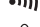
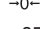

Modelo 5882 únicamente

10. TEMPORIZADOR



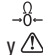

Identificación (continuación)

Iconos de la pantalla




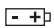

11. – Indicador de polaridad
12.  Verificación de resistencia de aislamiento en progreso
13.  La resistencia de aislamiento es menor de 50 k Ω
14.  Elemento de gráfico de barras
15.  La resistencia de aislamiento es mayor de 2 G Ω
16.  El temporizador está activo
17. ALARM La alarma está activada, o la programación está en proceso.
18. < La alarma se activará si el valor medido es menor que el valor preestablecido.
19. > La alarma se activará si el valor medido es mayor que el valor preestablecido.
20. 00:00 En la pantalla del Marcador de tiempo o
0000 Valores preestablecidos
21. G 10⁹
22. M 10⁶
23. k 10³
24. Ω Ohmios
25. OL Sobrecarga (La resistencia de aislamiento es mayor de 2 G Ω)
o la tensión es mayor de 600V)
26. V Voltios
27. AC Corriente alterna
28. DC Corriente continua
29.  Estado de la pila
30.  La función de apagado automático está desactivada
31.  El altavoz está activado
32.  La resistencia del cable de prueba se halla compensada
33. > 25 La tensión del circuito es mayor de 25 voltios; la función de verificación de resistencia (botón amarillo) está desactivada
34.  Lea el manual de instrucciones

Identificación (continuación)

Otros símbolos

- BAT Potencia de pila insuficiente
-  (parpadeante) La resistencia del cable de prueba ha sido incorrectamente compensada y 
- FUS Reemplace el fusible
- La resistencia de aislamiento es menor de:
 - 50 k Ω en la escala de 250V
 - 100 k Ω en la escala de 500V
 - 200 k Ω en la escala de 1.000V


Símbolos en la unidad

-  Advertencia — Lea el manual de instrucciones
-  Fusible
-  Doble forro aislante
-  Pila
-  Recicle el producto de acuerdo con lo establecido en las direcciones del fabricante

Cómo utilizar las distintas funciones

Botón de verificación de medición de resistencia de aislamiento (botón amarillo)

Oprima este botón para aplicar la tensión de verificación al componente que se desea probar. Suelte al terminar la verificación.



- Mientras el botón amarillo de verificación de resistencia de aislamiento se encuentra oprimido, aparecerá en la pantalla el símbolo .
- Vea la Tabla de indicadores en relación con los resultados de la verificación de aislamiento.

Alarma (modelos 5880 y 5882 únicamente)

Oprima “**ALARM**” para encender la alarma y revisar los valores preestablecidos. Oprima nuevamente para apagar la alarma.



Nota: Cuando la función de alarma está activada, la unidad emitirá un tono continuo y la palabra “ALARM” parpadeará en la pantalla para indicar que el valor medido concuerda con el valor preestablecido para activar la alarma.

Valores de alarma preestablecidos (modelos 5880 y 5882 únicamente)

1. Oprima y mantenga oprimido el botón “**ALARM**” para revisar estos puntos preestablecidos.
2. Oprima  y  cambie los valores preestablecidos. Oprima y mantenga oprimido el botón “**ALARM**” para guardar estos valores.
 - Los valores por defecto son:
 - > 0,25 M Ω (M Ω – posición 250V)
 - > 0,50 M Ω (M Ω – posición 500V)
 - > 1,00 M Ω (M Ω – posición 1.000V)
 - < 20,00 k Ω (posición 400 k Ω)
 - < 2,00 Ω (posición 20 Ω)
 - Los valores Mínimo/Máximo son:
 - < o > 0,05 M Ω / 2.000 M Ω (M Ω – posición 250V)
 - < o > 0,10 M Ω / 2.000 M Ω (M Ω – posición 500V)
 - < o > 0,2 M Ω / 2.000 M Ω (M Ω – posición 1.000V)
 - < o > 0 Ω / 399,9 k Ω (posición 400 k Ω)
 - < o > 0 Ω / 19,99 Ω (posición 20 Ω)

Nota: El megóhmetro corregirá cualquier valor que no haya sido ingresado correctamente.

Verificación de resistencia de aislamiento temporizada (modelo 5882 únicamente)

1. Oprima “**TIMER**”. En la pantalla aparecerá el icono  y un marcador de tiempo (0:00).
2. Oprima y suelte el botón amarillo de verificación para arrancar el temporizador e iniciar la tensión de verificación. El icono  aparecerá en la pantalla y el marcador de tiempo indicará el tiempo transcurrido.

Cómo utilizar las distintas funciones (continuación)

3. Cuando el altavoz suene, anote la lectura que aparece en la pantalla (después de 30 segundos, 1 minuto y 10 minutos).
4. Oprima el botón amarillo de verificación para concluir la verificación.
5. Utilice las lecturas para calcular el coeficiente de absorción dieléctrica (DAR, por sus siglas en inglés):

$$\text{DAR} = \frac{\text{medición después de 1 minuto}}{\text{medición después de 30 segundos}}$$

6. Utilice las lecturas para calcular el índice de polarización (PI, por sus siglas en inglés):

$$\text{PI} = \frac{\text{medición después de 10 minutos}}{\text{medición después de 1 minuto}}$$

Los siguientes parámetros indican que el aislamiento es aceptable:

$$\text{DAR} > 1,25$$



$$\text{PI} > 2$$

Nota: La verificación temporizada se apagará de manera automática después de 15 minutos.

Altavoz

Consulte la Tabla de indicadores en relación con la información sobre los tonos generados por el altavoz.

Para desactivar el altavoz:

- Modelo 5878: Coloque el interruptor de selección en 20 Ω; enseguida oprima el botón amarillo de verificación. El icono  desaparecerá de la pantalla.
- Modelos 5880 y 5882: Oprima **“ALARM”** al tiempo que enciende (ON) la unidad. El icono  no aparecerá en la pantalla.

Para activar el altavoz en cualquiera de los modelos: Apague (OFF) la unidad y enseguida vuelva a encenderla (ON).

Luz de fondo

Oprima * para encender la luz de fondo. Oprima nuevamente para apagarla.

Nota: La luz de fondo se apagará de manera automática después de 1 minuto.

Apagado automático

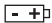
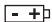
A fin de prolongar la vida útil de la pila, el megóhmetro se apagará por sí solo después de aproximadamente 5 minutos de inactividad. Para restaurar la energía, oprima cualquier botón o gire el interruptor de selección.

Modelos 5880 y 5882 únicamente: Para desactivar esta función, oprima y mantenga oprimido el botón * al tiempo que enciende (ON) la unidad. El icono  aparecerá en la pantalla.

Indicadores

La Tabla de indicadores le ofrece información para interpretar el indicador de estado de la pila, los resultados de la verificación de aislamiento y los tonos producidos por el altavoz.

Tabla de indicadores

Función	Indicación	Explicación
Estado pila*	No aparece nada en la pantalla	Pila en buen estado
	 parpadeante	La vida útil de la pila es limitada.
	 Continua	La pila está baja. Quizás no sean exactas las mediciones. Reemplace la pila.
	BAT	La pila no tiene carga. La unidad se apagará automáticamente.
Altavoz	Un tono grave, corto	<ul style="list-style-type: none"> • cualquier botón oprimido • la función de apagado automático está apagando la unidad • compensación de resistencia del cable de prueba • Función de TEMPORIZADOR (suena a los 30 segundos, al minuto y a los 10 minutos)
	Un tono grave, continuo	<ul style="list-style-type: none"> • la medida es inferior al valor de alarma mínimo preestablecido • la medición es superior al valor de alarma máximo preestablecido
	Un tono agudo, corto	Se oprime un botón inactivo (excepto el botón amarillo de verificación)
	Un tono agudo, repetido	La verificación de tensión automática ha medido más de 25 voltios y la verificación de resistencia de aislamiento está en progreso. La verificación de aislamiento será desactivada.
Verificación resistencia aislamiento	OL	La resistencia de aislamiento es mayor de 2,0 GΩ
	▶	La resistencia de aislamiento es mayor de 1,1 GΩ
	-----	La resistencia de aislamiento es menor de: <ul style="list-style-type: none"> • 50 kΩ a 250V • 100 kΩ a 500V • 200 kΩ a 1.000V
	◀	La resistencia de aislamiento es menor de 70 kΩ

* Después de encender (ON) el megóhmetro, la pantalla mostrará el icono  y el porcentaje de vida útil de la pila.

Operación



⚠️ ADVERTENCIA

Peligro de electrocución:

El contacto con circuitos activados podría ocasionar graves lesiones o incluso la muerte.

⚠️ ADVERTENCIA

Peligro de electrocución:

No toque las puntas de los cables de prueba mientras la función de continuidad (20 Ω) se halle seleccionada.

De no observarse esta advertencia podrían sufrirse graves lesiones o incluso la muerte.

1. Coloque el interruptor de selección en el valor adecuado y conecte los cables de prueba a la unidad.
2. Consulte la sección “Mediciones más comunes” en relación con las instrucciones específicas para cada tipo de medición.
3. Pruebe la unidad en un circuito o componente que se sabe está funcionando perfectamente.
 - Si la unidad no funciona como debería en un circuito que se sabe está funcionando perfectamente, reemplace las pilas y/o el fusible.
 - Si sigue sin funcionar como debería, devuélvala a Greenlee a fin de que sea reparada.
4. Anote la lectura del circuito o componente que se está verificando.

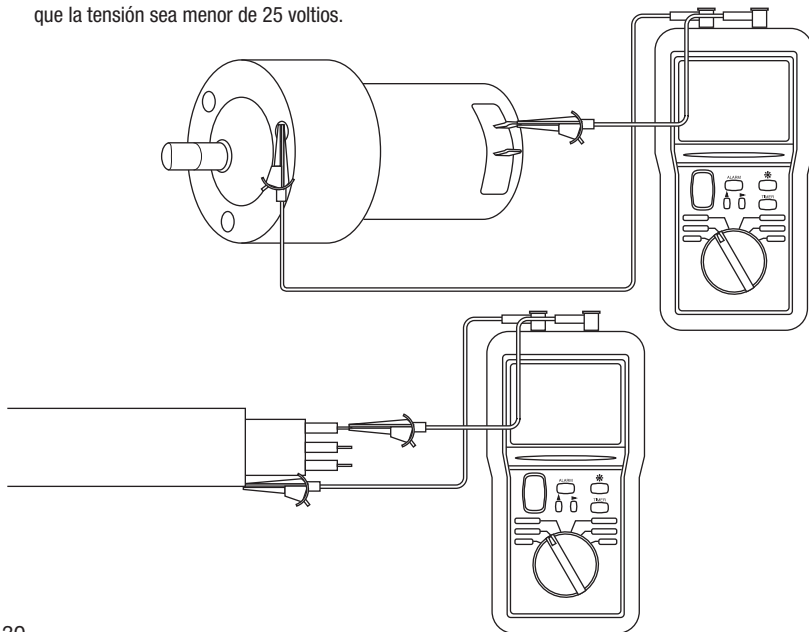
Mediciones más comunes

Verificación de resistencia de aislamiento

1. Coloque el interruptor de selección en la escala apropiada de $M\Omega$ – tensión:
 - $M\Omega$ – 250V
 - $M\Omega$ – 500V
 - $M\Omega$ – 1.000V
2. Conecte el cable de prueba positivo (+) a tierra y el cable de prueba negativo (-) al punto de verificación.

Después de ser conectado, el megóhmetro medirá automáticamente la tensión del componente que se está verificando. Si hay tensión, ésta aparecerá en la pantalla.

- Si la tensión es mayor de 0V pero menor de 25V, tal vez no son precisos los resultados de la verificación de aislamiento.
 - Si la tensión es mayor de 25V, la función de verificación de resistencia de aislamiento será desactivada.
3. Oprima el botón amarillo de verificación de resistencia de aislamiento a fin de iniciar la tensión de verificación.
 4. Consulte la Tabla de indicadores a fin de interpretar la pantalla.
 5. Suelte el botón amarillo de verificación de aislamiento para finalizar la tensión de verificación. El megóhmetro regresará al modo de medición de tensión. No desconecte los cables de prueba hasta que la tensión sea menor de 25 voltios.



Mediciones más comunes

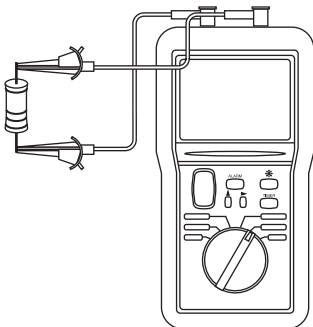
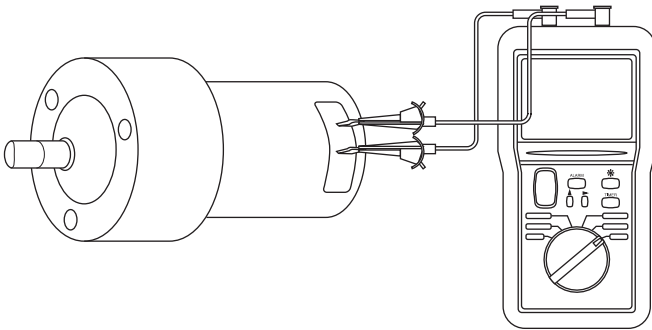
Verificación de continuidad

1. Coloque el interruptor de selección en la posición 20Ω .
2. Conecte los cables de prueba al dispositivo que desea verificar.
3. La pantalla indica la resistencia del circuito o componente, o bien, una sobrecarga (OL) si la resistencia es mayor de 20Ω . El fusible interno será verificado automáticamente durante la verificación de continuidad.

Modelos 5880 y 5882 únicamente:

Para mejorar la precisión de las mediciones de continuidad, compense la resistencia de los cables de prueba de la siguiente manera:

1. Conecte juntos los cables de prueba.
2. Oprima y mantenga oprimido * hasta que $\rightarrow 0$ aparezca en la pantalla. Este procedimiento substraerá la resistencia del cable de prueba de la medición de continuidad.
3. Para cancelar esta compensación, oprima y mantenga oprimido * hasta que $\rightarrow 0$ desaparezca de la pantalla.



Medición de resistencia (modelos 5880 y 5882 únicamente)

1. Coloque el interruptor de selección en la posición $400 \text{ k}\Omega$.
2. Conecte los cables de prueba al dispositivo que desea verificar.
3. La pantalla indica la resistencia del circuito o componente, o la sobrecarga (OL) si la resistencia es mayor de $400 \text{ k}\Omega$.

Precisión

La precisión se especifica de la siguiente manera: \pm (un porcentaje de la lectura + una cantidad fija) en 20°C a 26°C (68°F a 78,8°F), 45% a 55% de humedad relativa.

Tabla de precisión

Valor	Escala	Precisión	Notas
Verificación de CA	399,9V	—	300 k Ω Impedancia de entrada
	600V		
Verificación resistencia* aislamiento	39,99 M Ω	\pm (3% + 0,05 M Ω)	
	399,9 M Ω	\pm (3% + 0,2 M Ω)	
	2,000 G Ω	\pm (3% + 0,002 G Ω)	
Continuidad	0,00 a 20,00 Ω	\pm (3% + 0,01 Ω)	Voltaje de circuito abierto: 7V a 9V Corriente de verificación: 200 mA
Resistencia*	399,9 Ω	\pm (3% + 0,5 Ω)	Voltaje de circuito abierto: 7V a 9V
	3999 Ω	\pm (3% + 5 Ω)	
	39,99 k Ω	\pm (3% + 0,01 k Ω)	
	399,9 k Ω	\pm (3% + 0,1 k Ω)	

* La capacitancia entre 0 y 5 μ F, en paralelo a la resistencia, puede agregar \pm (10% + 1 d) de error adicional.

Verificación de resistencia de aislamiento

Escala	Voltaje de circuito abierto	Corriente de prueba	Corriente de cortocircuito
250V	< 300V	\geq 1 mA para R \leq 250 k Ω	\leq 3 mA
500V	< 600V	\geq 1 mA para R \leq 500 k Ω	
1.000V	< 1200V	\geq 1 mA para R \leq 1 M Ω	

La tensión residual presente en las terminales cuando se suelta el botón amarillo de verificación de resistencia de aislamiento se descarga automáticamente a través del instrumento a una velocidad de 1,5 s/ μ F en una impedancia de 300 k Ω .

Temporizador (modelo 5882 únicamente)

Escala	Resolución	Precisión
0:00 a 15:00 min	1 s	2%

Especificaciones

Pantalla: Cristal líquido (LCD) de 3-1/2-dígitos, (resolución máxima de 3.999 puntos) y gráfico de barras de 35 segmentos

Frecuencia de muestreo:

Pantalla numérica: 2,5 por segundo

Pantalla de gráfico de barras: 10 por segundo

Apagado automático: Después de 5 minutos de inactividad

Coefficiente de temperatura: \pm (2% + 2 d*) por 10°C por encima 26°C o bajo 20°C

Condiciones de operación:

0°C a 31°C (32°F a 88°F), 0% a 80% de humedad relativa (sin condensación)

31°C a 40°C (88°F a 104°F), humedad relativa disminuyendo linealmente de 80% a 50%

Altura: 2.000 m (6.500 pies) máximo

Uso en interiores únicamente

Condiciones de almacenamiento: -40°C a 70°C (-40°F a 158°F), 10% a 80% de humedad relativa

Retire las pilas.

Categoría de protección: IP44

Grado de contaminación: 2

Categoría de sobretensión: Categoría II, 300 voltios

Pila: seis pilas de 1,5V tipo AA (NEDA 15 A o IEC LR6)

Fusible: 0,63 A/660V, condiciones de corte 30 kA, 1/4 pulg. x 1-1/4 pulg.

*d se refiere al dígito menos importante (el número en la posición más a la derecha).

Categorías de medición

Las siguientes definiciones proceden de la norma de seguridad internacional sobre la coordinación de aislamientos tal y como se aplica a equipos de medición, control y laboratorio. En las publicaciones IEC 61010-1 y IEC 60664 de la International Electrotechnical Commission (Comisión Electrotécnica Internacional) se detallan más a fondo estas categorías de medición.

Categoría de medición I

Nivel de señal. Equipo electrónico y de telecomunicaciones, o partes del mismo. Como ejemplo pueden citarse los circuitos electrónicos protegidos contra tensiones momentáneas dentro de fotocopiadores y modems.

Categoría de medición II

Nivel local. Aparatos eléctricos, equipo portátil, y los circuitos a los que están conectados. Como ejemplo pueden citarse dispositivos de iluminación, televisores y circuitos de rama larga.

Categoría de medición III

Nivel de distribución. Máquinas instaladas permanentemente y los circuitos a los que están cableados. Como ejemplo pueden citarse sistemas conductores y los paneles del interruptor automático principal del sistema eléctrico de un edificio.

Categoría de medición IV

Nivel de abastecimiento primario. Líneas aéreas y otros sistemas de cable. Como ejemplo pueden citarse cables, medidores, transformadores y cualquier otro equipo exterior perteneciente a la empresa de servicio eléctrico.

Certificado de Conformidad

Greenlee Textron Inc. cuenta con certificación conforme a ISO 9001 (2000) para nuestros Sistemas de Gerencia de Calidad.

El instrumento provisto ha sido inspeccionado y/o calibrado mediante el uso de equipo reconocido por el Instituto Nacional de Normas y Tecnologías (National Institute for Standards and Technology [NIST]).

Mantenimiento

Cómo reemplazar la pila y el fusible

ADVERTENCIA

Peligro de electrocución:

Antes de abrir la caja, retire del circuito los cables de prueba y apague la unidad.

De no observarse esta advertencia podrían sufrirse graves lesiones o incluso la muerte.

ADVERTENCIA

Peligro de electrocución:

El fusible es una parte integral para la protección contra sobretensión. Cuando sea necesario reemplazarlo, consulte la sección "Especificaciones" para saber qué tipo, tamaño y capacidad debe tener. Utilizar cualquier otro tipo de fusible anulará la clasificación de protección de sobretensión de la unidad.

De no observarse esta advertencia podrían sufrirse graves lesiones o incluso la muerte.

1. Desconecte la unidad del circuito. Apague la unidad.
2. Gire el pestillo 1/4 de vuelta en sentido antihorario.
3. Retire la tapa posterior.
4. Reemplace las pilas (fíjese en la polaridad) y/o el fusible.
5. Vuelva a colocar la tapa y gire el pestillo 1/4 de vuelta en dirección horario, a fin de asegurar la tapa.

Limpieza

Limpie periódicamente la caja utilizando un paño húmedo y detergente suave; no utilice abrasivos ni solventes.



GREENLEE.

Description

Les mégohmmètres 5878, 5880 et 5882 de Greenlee ont été conçus pour vérifier l'isolation, détecter la tension et vérifier la continuité. Les mégohmmètres déchargent automatiquement l'objet testé quand le test est terminé. En outre, le modèle 5882 peut mesurer la résistance.

Sécurité

Lors de l'utilisation et de l'entretien des outils et des équipements de Greenlee, votre sécurité est une priorité. Ce manuel d'instructions et toute étiquette sur l'outil fournit des informations permettant d'éviter des dangers ou des manipulations dangereuses liées à l'utilisation de cet outil. Suivre toutes les consignes de sécurité indiquées.

Dessein de ce manuel

Ce manuel d'instructions est conçu pour que le personnel puisse se familiariser avec le fonctionnement et les procédures d'entretien sûres des mégohmmètres 5878, 5880 et 5882 de Greenlee.

Mettre ce manuel à la disposition de tous les employés.

On peut obtenir des exemplaires gratuits sur simple demande sur le site Web www.greenlee.com.



Ne pas se débarrasser de ce produit ou le jeter !

Pour des informations sur le recyclage, visiter www.greenlee.com.

Toutes les spécifications sont nominales et peuvent changer avec l'amélioration de la conception. Greenlee Textron Inc. ne peut être tenue responsable des dommages résultant d'une application inappropriée ou d'un mauvais usage de ses produits.

© Enregistré : La couleur verte des instruments de vérification électrique est une marque de commerce déposée de Greenlee Textron Inc.

CONSERVER CE MANUEL

Consignes de sécurité importantes



SYMBOLE D'AVERTISSEMENT

Ce symbole met en garde contre les risques et les manipulations dangereuses pouvant entraîner des blessures ou l'endommagement du matériel. Le mot indicateur, défini ci-dessous, indique la gravité du danger. Le message qui suit le mot indicateur indique comment empêcher le danger.

DANGER

Danger immédiat qui, s'il n'est pas pris en considération ENTRAÎNERA des blessures graves, voire mortelles.

AVERTISSEMENT

Danger qui, s'il n'est pas pris en considération, POURRAIT entraîner des blessures graves, voire mortelles.

ATTENTION

Dangers ou manipulations dangereuses qui, s'ils ne sont pas pris en considération, POURRAIENT EVENTUELLEMENT entraîner des dommages à la propriété ou causer des blessures.



AVERTISSEMENT

Lire attentivement et bien comprendre cette documentation avant d'utiliser ou de procéder à l'entretien de cet équipement. Négliger de comprendre comment utiliser cet outil en toute sécurité pourrait provoquer un accident et entraîner des blessures graves, voire mortelles.



AVERTISSEMENT

Risques de décharge électrique :

Un contact avec des circuits sous tension pourrait entraîner des blessures graves, voire mortelles.

Consignes de sécurité importantes

⚠️ AVERTISSEMENT

Risques de décharge électrique :

- Ne pas exposer cet appareil à la pluie ou à l'humidité.
- Ne pas utiliser cet appareil s'il est mouillé ou endommagé.
- Utiliser des fils d'essai ou des accessoires conformes à l'application. Consulter la catégorie et la tension nominale du fil d'essai ou de l'accessoire.
- Vérifier les fils d'essai ou l'accessoire avant de les utiliser. La pièce (ou les pièces) doit être propre(s) et sèche(s) et l'isolation en bon état.
- Utiliser cet appareil uniquement dans le but pour lequel il a été conçu, tel que décrit dans ce manuel. Toute autre utilisation peut altérer le système de protection de cet appareil.

L'inobservation de ces consignes pourrait entraîner des blessures graves, voire mortelles.

⚠️ AVERTISSEMENT

Risques de décharge électrique :

- Ne pas appliquer plus que la tension nominale entre deux bornes d'entrée, ou entre une borne d'entrée et une prise de terre.
- Ne pas entrer en contact avec les extrémités du fil d'essai ou avec toute autre partie non isolée de l'accessoire.
- Ne pas entrer en contact avec les extrémités du fil d'essai pendant le test de résistance de l'isolation.
- Ne pas entrer en contact avec les extrémités du fil d'essai lorsque que la fonction de continuité (20 Ω) est sélectionnée.

L'inobservation de ces consignes pourrait entraîner des blessures graves, voire mortelles.

⚠️ AVERTISSEMENT

Risques de décharge électrique :

- Ne pas utiliser lorsque le boîtier est ouvert.
- Avant d'ouvrir le boîtier, retirer les fils d'essai du circuit et mettre l'appareil hors tension.

L'inobservation de ces consignes pourrait entraîner des blessures graves, voire mortelles.

Consignes de sécurité importantes

AVERTISSEMENT

Risques de décharge électrique :

- Mettre hors tension et verrouiller la source d'alimentation. S'assurer que tous les condensateurs sont déchargés. Aucune tension ne doit être présente.
- Régler le sélecteur et connecter les fils d'essai pour qu'ils correspondent à la mesure voulue. Des réglages ou des connexions incorrects peuvent faire sauter les fusibles.
- L'utilisation de cet appareil à proximité d'équipements qui génèrent des interférences électromagnétiques peut produire des lectures instables ou erronées.

L'inobservation de ces consignes pourrait entraîner des blessures graves, voire mortelles.

AVERTISSEMENT

Risques de décharge électrique :

Le fusible est une partie intégrante du système de protection contre la surtension. Lorsqu'un fusible doit être remplacé, consulter les spécifications pour connaître le type, la taille et la capacité requis. L'utilisation de tout autre type de fusible annule le calibrage de protection contre la surtension de l'appareil.

L'inobservation de cette consigne pourrait entraîner des blessures graves, voire mortelles.

ATTENTION

Risques de décharge électrique :

Ne pas modifier la fonction de mesure pendant que les fils d'essai sont connectés à un composant ou à un circuit.

L'inobservation de cette consigne pourrait endommager l'appareil et pourrait entraîner des blessures.

ATTENTION

Risques de décharge électrique :

- Ne pas tenter de réparer cet appareil. Il ne comporte aucune pièce pouvant être réparée.
- Ne pas exposer l'appareil à des températures extrêmes ou à une humidité excessive. Voir les spécifications.

L'inobservation de ces consignes pourrait endommager l'appareil et pourrait entraîner des blessures.

Identification

Tous les modèles

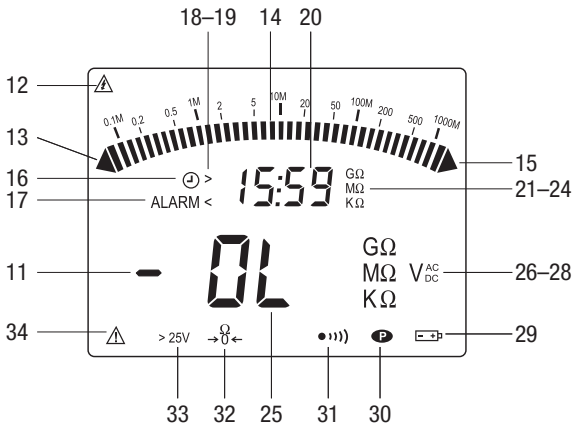
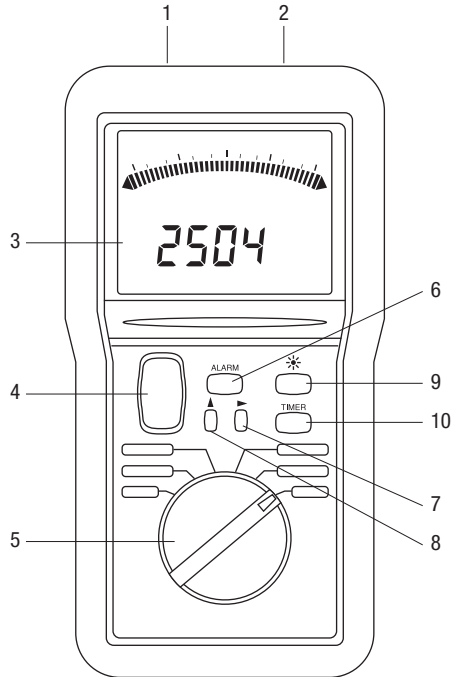
1. Borne d'entrée positive (+)
2. Borne d'entrée négative (-)
3. Affichage
4. Bouton de vérification de la résistance de l'isolation
5. Sélecteur

Modèles 5880 et 5882 uniquement

6. Bouton d'alarme
7. ► Sélectionner un paramètre ou une valeur
8. ▲ Modifier la valeur
9. * Lumière arrière






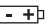


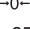

Modèle 5882 uniquement

10. CHRONOMETRE



Identification (suite)

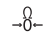

Icônes de l'afficheur

11. – Indicateur de polarité
12.  Test de résistance de l'isolation en cours
13.  La résistance de l'isolation est inférieure à 50 k Ω
14.  Élément de graphique à barres
15.  La résistance de l'isolation est supérieure à 2 G Ω
16.  Le chronomètre est activé
17. ALARM L'alarme est activée, ou la programmation est en cours.
18. < L'alarme se déclenche si la valeur mesurée est inférieure au point de réglage.
19. > L'alarme se déclenche si la valeur mesurée est supérieure au point de réglage.
20. 00:00 Affichage du chronomètre ou
0000 Points de réglage
21. G 10⁹
22. M 10⁶
23. k 10³
24. Ω Ohms
25. OL Surcharge (La résistance de l'isolation est supérieure à 2 G Ω
ou la tension supérieure à 600 V)
26. V Volts
27. AC Courant alternatif
28. DC Courant continu
29.  Etat de la pile
30.  La mise hors tension automatique est inactive.
31.  Le haut-parleur est actif.
32.  La résistance du fil est compensée
33. > 25 La tension de circuit est supérieure à 25 volts ; test de résistance de l'isolation (bouton jaune) désactivé
34.  Lire le manuel d'instructions

Identification (suite)

Autres symboles

BAT Puissance insuffisante de la pile

 (clignotant) La résistance du fil est mal compensée.
et 

FUS Remplacer le fusible

---- La résistance de l'isolation est inférieure à :

- 50 k Ω sur la plage 250 V
- 100 k Ω sur la plage 500 V
- 200 k Ω sur la plage 1 000 V

Symboles apparaissant sur l'appareil

 Avertissement — Lire le manuel d'instructions

 Fusible

 Isolation double


 Pile

 Recycler le produit conformément aux directives du fabricant.

Utilisation des caractéristiques

Bouton (jaune) de vérification de la mesure de la résistance de l'isolation

Appuyer pour appliquer la tension d'essai à l'élément devant être vérifié. Relâcher pour terminer le test.



- Lorsque le bouton jaune de vérification de la résistance de l'isolation est enfoncé, le  apparaît sur l'afficheur.
- Consulter le tableau des indicateurs pour voir les résultats de la vérification de l'isolation.

Alarmes (Modèles 5880 et 5882 uniquement)

Appuyer sur **ALARM** pour activer l'alarme et passer en revue les points de réglage. Appuyer de nouveau pour désactiver l'alarme.



Remarque : Lorsque la fonction d'alarme est activée, une tonalité continue et le clignotement de « ALARM » sur l'afficheur indiquent que la valeur mesurée correspond au point de réglage de l'alarme.

Points de réglage de l'alarme (Modèles 5880 et 5882 uniquement)

1. Appuyer et maintenir enfoncé **ALARME** pour passer en revue les points de réglage.
2. Appuyer  et  pour modifier les points de réglage. Appuyer et maintenir enfoncé **ALARME** pour enregistrer les points de réglage.
 - Les réglages par défaut sont :
 - > 0,25 M Ω (position M Ω – 250 V)
 - > 0,50 M Ω (position M Ω – 500 V)
 - > 1,00 M Ω (position M Ω – 1 000 V)
 - < 20,00 k Ω (position 400 k Ω)
 - < 2,00 Ω (position 20 Ω)
 - Les réglages minimum/maximum sont :
 - < ou > 0,05 M Ω / 2 000 M Ω (position M Ω – 250 V)
 - < ou > 0,10 M Ω / 2 000 M Ω (position M Ω – 500 V)
 - < ou > 0,2 M Ω / 2 000 M Ω (position M Ω – 1 000 V)
 - < ou > 0 Ω / 399,9 k Ω (position 400 k Ω)
 - < ou > 0 Ω / 19,99 Ω (position 20 Ω)

Remarque : Le mégohmmètre corrige tout réglage incorrectement entré.

Vérification de la résistance d'isolation chronométrée (modèle 5882 uniquement)

1. Appuyer sur **TIMER**. L'icône  et un chronomètre (0 : 00) apparaissent sur l'afficheur.
2. Appuyer et relâcher le bouton de vérification jaune pour déclencher le chronomètre et commencer le test de tension. Le  apparaît sur l'afficheur et le chronomètre indique le temps écoulé.

Utilisation des caractéristiques (suite)

- Prendre note de la lecture affichée lorsque le haut-parleur produit un son (après 30 secondes, 1 minute et 10 minutes).
- Appuyer sur le bouton jaune pour mettre fin au test.
- Utiliser les lectures pour calculer le DAR (dielectric absorption rate [taux d'absorption diélectrique]) :

$$\text{DAR} = \frac{\text{mesure après 1 minute}}{\text{mesure après 30 secondes}}$$

- Utiliser les lectures pour calculer le PI (polarization index [index de polarisation]) :

$$\text{PI} = \frac{\text{mesure après 10 minutes}}{\text{mesure après 1 minute}}$$

Les paramètres suivants indiquent une isolation acceptable :

$$\text{DAR} > 1,25$$

$$\text{PI} > 2$$

Remarque : Le test chronométré s'éteint automatiquement après 15 minutes.

Haut-parleur

Voir le tableau des indicateurs pour plus d'informations sur les tonalités produites par le haut-parleur.

Pour désactiver le haut-parleur :

- Modèle 5878 : Régler le sélecteur à 20 Ω , puis appuyer sur le bouton de vérification jaune. L'icône **•••||** disparaît de l'afficheur.
- Modèle 5880 et 5882 : Appuyer sur **ALARM** en mettant l'appareil sous tension (ON). L'icône **•••||** n'apparaît pas sur l'afficheur.

Pour activer le haut-parleur de n'importe quel modèle : Mettre l'appareil hors tension, puis de nouveau sous tension.

Lumière arrière

Appuyer sur ***** pour allumer la lumière arrière. Appuyer de nouveau pour l'éteindre.

Remarque : La lumière arrière s'éteint automatiquement après 1 minute.

Mise hors tension automatique

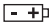
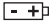


Afin de prolonger la durée de vie utile de la pile, le mégohmmètre s'éteint automatiquement après environ 5 minutes d'inactivité. Pour rétablir la tension, appuyer sur n'importe quel bouton ou faire tourner le sélecteur.


Modèles 5880 et 5882 uniquement : Pour désactiver cette fonction, appuyer et maintenir ***** pendant la mise sous tension (ON). L'icône **P** apparaît sur l'afficheur.

Indicateurs

Le tableau des indicateurs fournit les informations permettant d'interpréter l'indicateur d'état de la pile, les résultats du test d'isolation et les tonalités produites par le haut-parleur.

Tableau des indicateurs

Fonction	Indication	Explication
Etat de la pile*	Aucun affichage	Pile en bon état
	 Clignotement	Durée de vie de la pile limitée.
	 Continu	Pile faible. Les mesures peuvent être inexactes. Remplacer la pile.
	BAT	Pile déchargée. L'appareil s'éteint automatiquement.
Haut-parleur	Tonalité courte, basse tonalité	<ul style="list-style-type: none"> • n'importe quel bouton est enfoncé • la fonction de mise hors tension automatique est désactivée • compensation pour la résistance du fil • fonction TIMER (produit un son après 30 secondes, 1 minute et 10 minutes)
	Tonalité continue, basse tonalité	<ul style="list-style-type: none"> • la mesure est plus basse que le point de réglage d'alarme minimum • la mesure est supérieure au point de réglage maximum de l'alarme
	Tonalité courte, tonalité élevée	N'importe quel bouton inactif est enfoncé (sauf le bouton de vérification jaune)
	Tonalité répétée, tonalité élevée	La vérification automatique de la tension a mesuré plus de 25 volts et la vérification de la résistance de l'isolation est en cours. La vérification de l'isolation sera désactivée.
Isolation Résistance Test	OL	La résistance de l'isolation est supérieure à 2,0 GΩ
		La résistance de l'isolation est supérieure à 1,1 GΩ.
	-----	La résistance de l'isolation est inférieure à : <ul style="list-style-type: none"> • 50 kΩ à 250 V • 100 kΩ à 500 V • 200 kΩ à 1 000 V
		La résistance de l'isolation est inférieure à 70 kΩ.

* Après avoir mis le mégohmmètre sous tension, l'afficheur indique l'icône  ainsi qu'un pourcentage correspondant à la durée de vie approximative de la pile.

Utilisation



⚠ AVERTISSEMENT

Risques de décharge électrique :

Un contact avec des circuits sous tension pourrait entraîner des blessures graves, voire mortelles.

⚠ AVERTISSEMENT

Risques de décharge électrique :

Ne pas entrer en contact avec les extrémités du fil d'essai lorsque que la fonction de continuité (20 Ω) est sélectionnée.

L'inobservation de cette consigne pourrait entraîner des blessures graves, voire mortelles.

1. Régler le sélecteur au réglage approprié et connecter les fils d'essai à l'appareil.
2. Se reporter aux mesures types pour obtenir des instructions de mesure spécifiques.
3. Vérifier l'appareil sur un circuit ou sur un composant connu.
 - Si l'appareil ne fonctionne pas comme prévu sur un circuit dont le fonctionnement est connu, remplacer les piles et/ou le fusible.
 - Si l'appareil ne fonctionne toujours pas comme prévu, le renvoyer à Greenlee pour qu'il soit réparé.
4. Lire le circuit ou le composant à vérifier.

Mesures types

Vérification de la résistance de l'isolation

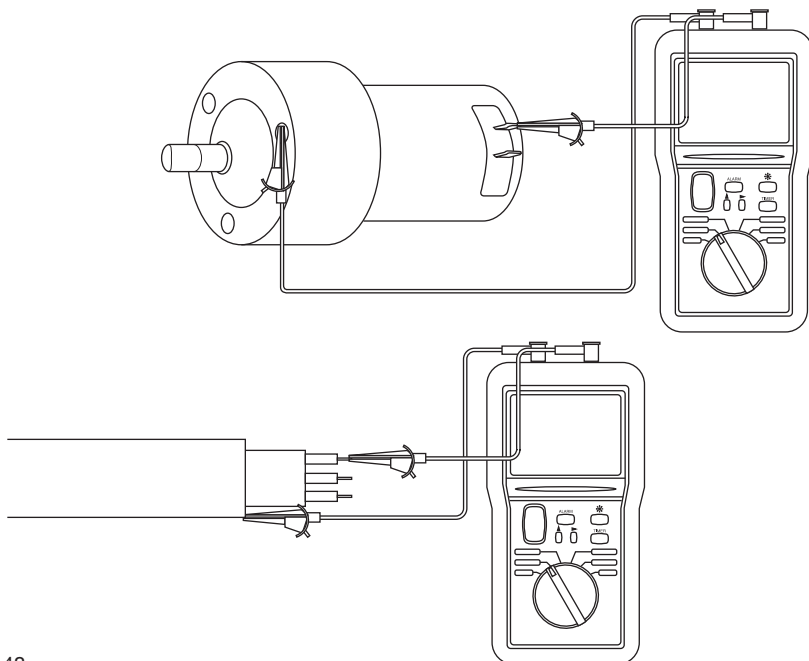
1. Régler le sélecteur à la plage de tension $M\Omega$ appropriée :

- $M\Omega - 250\text{ V}$
- $M\Omega - 500\text{ V}$
- $M\Omega - 1\ 000\text{ V}$

2. Connecter le fil + à la terre et le fil – au point de test.

Après la connexion, le mégohmmètre mesure automatiquement la tension de l'élément en cours de vérification. Si de la tension est présente, elle apparaît sur l'afficheur.

- Une tension supérieure à 0 V mais inférieure à 25 V peut produire des résultats erronés sur la résistance d'isolement.
 - Une tension supérieure à 25 V désactive la fonction de vérification de la résistance d'isolement.
3. Appuyer sur le bouton jaune de vérification de la résistance de l'isolation pour produire la tension de vérification.
4. Consulter le tableau des indicateurs pour interpréter l'affichage.
5. Relâcher le bouton de vérification d'isolation jaune pour couper la tension de test. Le mégohmmètre doit retourner au mode de mesure de tension. Ne pas débrancher les fils avant que la tension soit inférieure à 25 V.



Mesures types

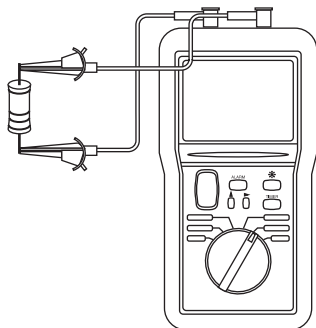
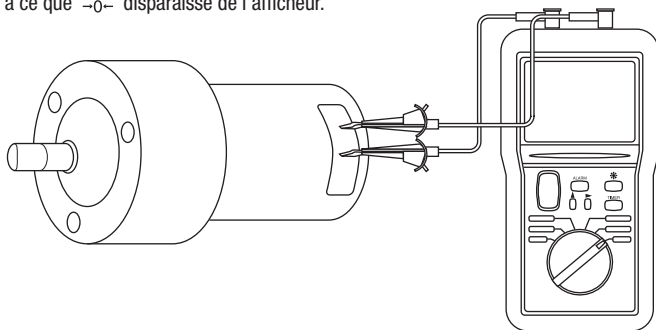
Vérification de la continuité

1. Régler le sélecteur à la position 20Ω .
2. Brancher le fil d'essai sur l'appareil à vérifier.
3. L'afficheur indique la résistance du circuit ou de la composante, ou OL si la résistance est supérieure à 20Ω . Le fusible interne est automatiquement vérifié pendant le test de continuité.

Modèles 5880 et 5882 uniquement :

Pour améliorer la précision de la mesure de la continuité, compenser pour la résistance des fils d'essai en procédant comme suit :

1. Brancher les fils d'essai ensemble.
2. Appuyer sur et maintenir * jusqu'à ce que $\rightarrow 0 \leftarrow$ apparaisse sur l'afficheur. Cette procédure soustrait la résistance des fils de la mesure de la continuité.
3. Pour annuler cette compensation, appuyer sur et maintenir * jusqu'à ce que $\rightarrow 0 \leftarrow$ disparaisse de l'afficheur.



Mesure de la résistance (Modèles 5880 et 5882 uniquement)

1. Régler le sélecteur à la position $400 \text{ k}\Omega$.
2. Brancher les fils d'essai sur l'appareil à vérifier.
3. L'afficheur indique la résistance du circuit ou de la composante, ou OL si la résistance est plus grande que $400 \text{ k}\Omega$.

Précision

La précision est spécifiée comme suit : \pm (un pourcentage de la lecture + une quantité fixe) de 20 à 26 °C (68 à 78,8 °F), 45 à 55 % d'humidité relative.

Tableau de précision

Valeur	Plage	Précision	Remarques
Vérification de c.a.	399,9 V	—	300 k Ω Impédance d'entrée
	600 V		
Vérification de l'isolation et de la résistance*	39,99 M Ω	\pm (3 % + 0,05 M Ω)	
	399,9 M Ω	\pm (3 % + 0,2 M Ω)	
	2,000 G Ω	\pm (3 % + 0,002 G Ω)	
Continuité	0,00 à 20,00 Ω	\pm (3 % + 0,01 Ω)	Circuit de tension ouvert : 7 V à 9 V Courant de vérification : 200 mA
Résistance*	399,9 Ω	\pm (3 % + 0,5 Ω)	Tension de circuit ouvert : 7 V à 9 V
	3999 Ω	\pm (3 % + 5 Ω)	
	39,99 k Ω	\pm (3 % + 0,01 k Ω)	
	399,9 k Ω	\pm (3 % + 0,1 k Ω)	

* La capacité entre 0 et 5 μ F en parallèle à la résistance peut ajouter une erreur supplémentaire de \pm (10 % + 1 d).

Vérification de la résistance de l'isolation

Plage	Tension de circuit ouvert	Courant de vérification	Courant de court-circuit
250 V	< 300 V	\geq 1 mA pour $R \leq$ 250 k Ω	\leq 3 mA
500 V	< 600 V	\geq 1 mA pour $R \leq$ 500 k Ω	
1000 V	< 1200 V	\geq 1 mA pour $R \leq$ 1 M Ω	

La tension résiduelle présente aux bornes quand le bouton de vérification d'isolation jaune est relâché est déchargée automatiquement à travers l'instrument à un taux de 1,5 s/ μ F dans une impédance de 300 k Ω .

Chronomètre (modèle 5882 uniquement)

Plage	Résolution	Précision
0:00 à 15:00 min	1 s	2 %

Spécifications

Affichage : 3-1/2 chiffres sur DEL (lecture maximale de 3 999) avec graphique à barres de 35 segments.

Taux d'échantillonnage :

Afficheur numérique : 2,5 par seconde

Afficheur de graphique à barres : 10 par seconde

Mise hors tension automatique : Après 5 minutes d'inactivité

Coefficient de température : $\pm (2 \% + 2 \text{ d}^*)$ par 10 °C au-dessus de 26 °C ou en-dessous de 20 °C

Conditions d'utilisation :

0 à 31 °C (32 à 88 °F), 0 à 80 % d'humidité relative (sans condensation)

31 à 40 °C (88 à 104 °F), humidité relative en décroissance linéaire de

80 à 50 %

Altitude : 2000 m (6500 pi) maximum

Utilisation à l'intérieur uniquement

Conditions d'entreposage : -40 à 70 °C (-40 à 158 °F), 10 à 80 % d'humidité relative

Enlever les piles.

Catégorie de protection : IP44

Degré de pollution : 2

Catégorie de surtension : Catégorie II, 300 volts

Pile : Six 1,5 V AA (NEDA 15 A ou IEC LR6)

Fusible : 0,63 A/660 V, pouvoir de coupure nominal 30 kA, 1/4 po x 1-1/4 po

*d renvoie au chiffre le moins important (celui le plus à droite).

Catégories de mesure

Ces définitions sont dérivées des normes internationales sur la sécurité pour la coordination de l'isolation telle qu'elle s'applique à la mesure, au contrôle et à l'équipement de laboratoire. Ces catégories de mesure sont expliquées plus en détail par la Commission électrotechnique internationale ; se reporter à l'une de ces deux publications : IEC 61010-1 ou IEC 60664.

Catégorie de mesure I

Niveau de signal. Pièces ou équipement électronique et de télécommunication. Par exemple, les circuits électroniques protégés contre les courants transitoires, dans les photocopieurs et les modems.

Catégorie de mesure II

Niveau local. Appareils, équipement portatif et les circuits dans lesquels ils sont branchés. Par exemple, les appareils d'éclairage, les téléviseurs et les dérivations.

Catégorie de mesure III

Niveau de distribution. Les machines installées en permanence et les circuits auxquels elles sont câblées. Par exemple, les systèmes de convoyeurs et les panneaux de disjoncteurs principaux du système électrique d'un édifice.

Catégorie de mesure IV

Niveau d'alimentation principal. Lignes surélevées et autres systèmes de câbles. Par exemple, les câbles, les compteurs, les transformateurs et autres équipements extérieurs appartenant aux fournisseurs en électricité.

Déclaration de conformité

Greenlee Textron Inc. est certifiée selon ISO 9001 (2000) pour nos Systèmes de gestion de la qualité. L'instrument ci-inclus a été vérifié et/ou étalonné avec des moyens de mesure raccordés aux étalons du National Institute of Standards and Technology (NIST).

Entretien

Remplacement de la pile et du fusible

AVERTISSEMENT

Risques de décharge électrique :

Avant d'ouvrir le boîtier, retirer les fils d'essai du circuit et mettre l'appareil hors tension.

L'inobservation de cette consigne pourrait entraîner des blessures graves, voire mortelles.

AVERTISSEMENT

Risques de décharge électrique :

Le fusible est une partie intégrante du système de protection contre la surtension. Lorsqu'un fusible doit être remplacé, consulter les spécifications pour connaître le type, la taille et la capacité requis. L'utilisation de tout autre type de fusible annule le calibrage de protection contre la surtension de l'appareil.

L'inobservation de cette consigne pourrait entraîner des blessures graves, voire mortelles.

1. Débrancher l'appareil du circuit. Mettre l'appareil hors tension (OFF).
2. Tourner le verrou d'un quart de tour dans le sens antihoraire.
3. Retirer le couvercle arrière.
4. Remplacer les piles (selon la polarité) et/ou le fusible.
5. Replacer le couvercle et tourner le verrou d'un quart de tour dans le sens horaire pour fermer solidement.

Nettoyage

Nettoyer régulièrement le boîtier avec un chiffon humide et un détergent doux. Ne pas utiliser de produits abrasifs ou de solvants.



GREENLEE.

Lifetime Limited Warranty

Greenlee Textron Inc. warrants to the original purchaser of these goods for use that these products will be free from defects in workmanship and material for their useful life, excepting normal wear and abuse. This warranty is subject to the same terms and conditions contained in Greenlee Textron Inc.'s standard one-year limited warranty.

For all Test Instrument repairs, contact Customer Service at 800-435-0786 and request a Return Authorization.

For items not covered under warranty (such as items dropped, abused, etc.), a repair cost quote is available upon request.

Note: Prior to returning any test instrument, please check replaceable batteries or make sure the battery is at full charge.

Garantía limitada válida durante la vida útil del producto

Greenlee Textron Inc. le garantiza al comprador original de estos bienes de uso, que los mismos estarán libres de defectos de materiales y fabricación durante su vida útil, excepto en el caso de que sean maltratados o hayan sufrido el deterioro normal. Esta garantía está sujeta a los mismos términos y condiciones de la garantía estándar limitada válida por un año, otorgada por Greenlee Textron Inc.

Para reparaciones de todo instrumento de verificación, comuníquese con el Departamento de Servicio al Cliente al 800-435-0786 y solicite una autorización de devolución.

Puede obtener, previa solicitud, una cotización de precios de reparación para aquellos artículos que no están cubiertos bajo esta garantía (los que se han dejado caer o han sido maltratados).

Aviso: Antes de devolver un instrumento de verificación, revise si las baterías están bajas y es necesario reemplazarlas.

Garantie à vie limitée

La société Greenlee Textron Inc. garantit à l'acheteur d'origine de ces produits que ces derniers ne comportent aucun défaut d'exécution ou de matériau pour la durée de leur vie utile, sauf l'usure normale. Cette garantie est assujettie aux mêmes conditions que celles contenues dans les modalités et conditions de la garantie limitée standard d'un an de Greenlee Textron Inc.

Pour toutes les réparations d'instruments de mesure, appeler le service après vente au 800 435-0786 et demander une autorisation de retour.

Lorsque les articles ne sont pas protégés par une garantie (comme si l'appareil tombe, s'il est soumis à un usage abusif, etc.), une soumission pour le prix de réparation sera présentée sur demande.

Remarque : Avant de renvoyer un appareil de mesure, veuillez vérifier les piles remplaçables ou vous assurer que la batterie est complètement chargée.



GREENLEE®

A Textron Company

USA	800-435-0786	Fax: 800-451-2632
	815-397-7070	Fax: 815-397-1865
Canada	800-435-0786	Fax: 800-524-2853
International	+1-815-397-7070	Fax: +1-815-397-9247

4455 Boeing Drive • Rockford, IL 61109-2988 • USA • 815-397-7070
An ISO 9001 Company • Greenlee Textron Inc. is a subsidiary of Textron Inc.

www.greenlee.com