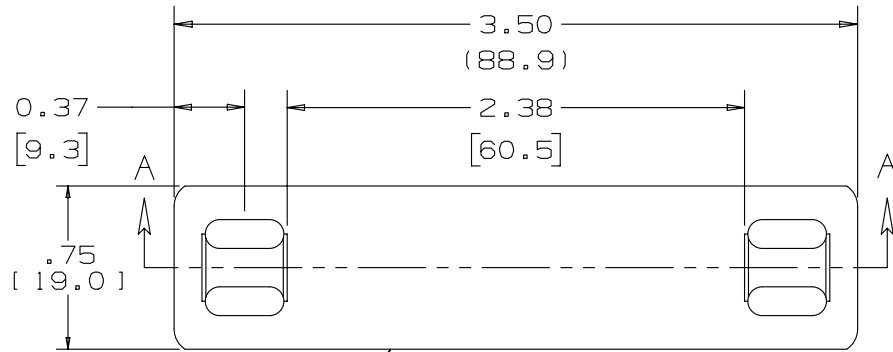


THIS COPY IS PROVIDED ON A RESTRICTED BASIS AND IS NOT TO BE USED IN ANY WAY DETRIMENTAL TO THE INTERESTS OF PANDUIT CORP.



AISI NO. 5 EDGES
ROLLED TO ELIMINATE
SHARPNESS (TYP.)

.010 ± .002
[0.25 ± 0.05]

SECTION "A-A"

PART NO.	MATERIAL	PKG. QTY.
MMP350H-C	304 S.S.	100
MMP350H-C316	316 S.S.	100
MMP350H-M	304 S.S.	1000
MMP350H-M316	316 S.S.	1000

NOTES:

- BRACKETS [] DENOTES DIMENSIONS ARE IN MILLIMETERS
- CUSTOM PERMANENT MARKING AVAILABLE. CONSULT FACTORY.
- USE WITH HEAVY CROSS SECTION MLT'S
- TOLERANCE (UNLESS OTHERWISE SPECIFIED)
 .xxx = ±.020 (.51)
 .xx = ±.03 (.8)

REV	DATE	BY	CHK	APR	DESCRIPTION	ECN
09A	3/13	JAMB	MIM	RGRO	UPDATED DRAWING TO NEW PANDUIT GLOBAL TITLE BLOCK WITH PANDUIT LOGO. ADDED DIM 0.37 & 2.38	SSECN01031
08B	8/08	JAMB	SKB	---	ADDED PART NO'S FOR BULK QTY 1000 MARKER PLATES	----
08A	7/07	JAMB	SKB	---	REMOVED PART NO'S MMP350W38-C & MMP350W38-C316 FROM PART TABLE. REMOVED FIGURE 2 & SECTION "B-B"	----
07	1/07	JAMB	SKB	---	ADDED MAT'L THICKNESS DIM TO SECTION "A-A" & "B-B"	----
06	11/06	JAMB	SKB	---	REVISED FIGURE 1 HEAVY MARKER PLT & ADDED FIGURE 2 STD MARKER PLT USED WITH STD MLT CROSS SECTION	SS00287
05	10/03	BRH	DPN	JJB	ADDED PACKAGE QTY/CODE TO PART NUMBERS IN TABLE	11167
04	02/01	KMD	JAC	JAC	FILE SPEC WAS N41046SA_PCD_03	09066

TITLE				
METAL MARKER PLATE - HEAVY				
CUSTOMER DRAWING				
ITEM REVISION NAME	N41046BS/09			
DATASET FILE NAME	N41046BS_DC/09A			
UNLESS OTHERWISE SPECIFIED, DIMENSIONAL TOLERANCES ARE: IN [mm]	PANDUIT			
.x ± .1 [2.54] .xxx ± .005 [0.127] .xx ± .01 [0.25] ANGLES ± 5°				
MATERIAL:	STAINLESS STEEL			
DRAWING NUMBER:	N41046BS_DC			
DRAWN BY	DATE	CHK	SCALE	THIRD ANGLE PROJECTION
SAM	2/4/91	JAC	1:1	
SHT 1 OF 1				A