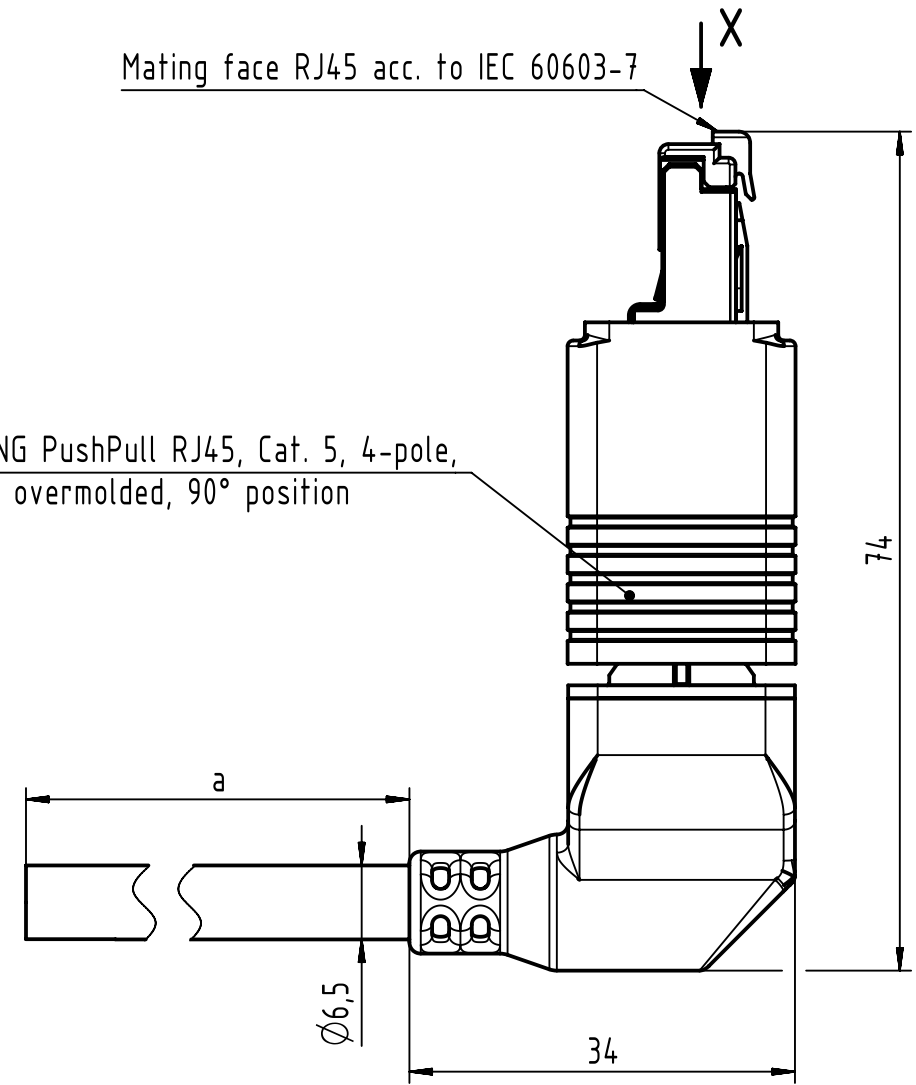
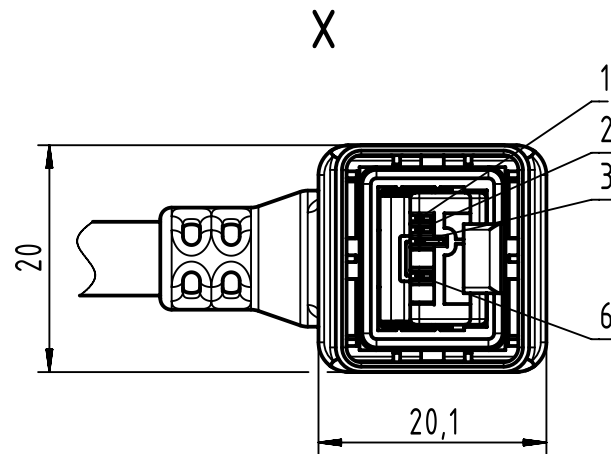
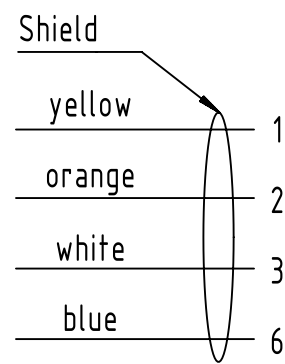


HARTING PushPull RJ45, Cat. 5, 4-pole,
angled overmolded, 90° position

Mating face RJ45 acc. to IEC 60603-7



Loading-Plan:



- Protection level: IP65/67
- Temperature range: -40°C ... +70°C

	All rights reserved Department EC PD - RO	All Dimensions in mm Original Size DIN A3		Scale 1.5:1	Free size tol.	Ref.
		Created by MUNTEANV	Inspected by AVRAM	Standardisation HOFFMANN	Date 2016-03-03	State Final Release
HARTING Electronics GmbH D-32339 Espelkamp		Title HARTING PushPull RJ45 Cable Assembly				Doc-Key / ECM-Nr. 100084477/UGD/008/C 500000101154
		Type TB	Number 09473700XXX		Rev. C	Page 1/2

