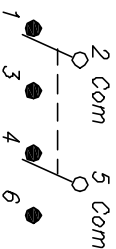


RECOMMENDED P.C.B. LAYOUT

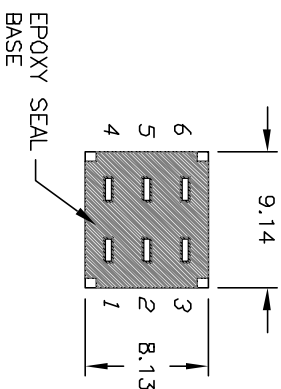
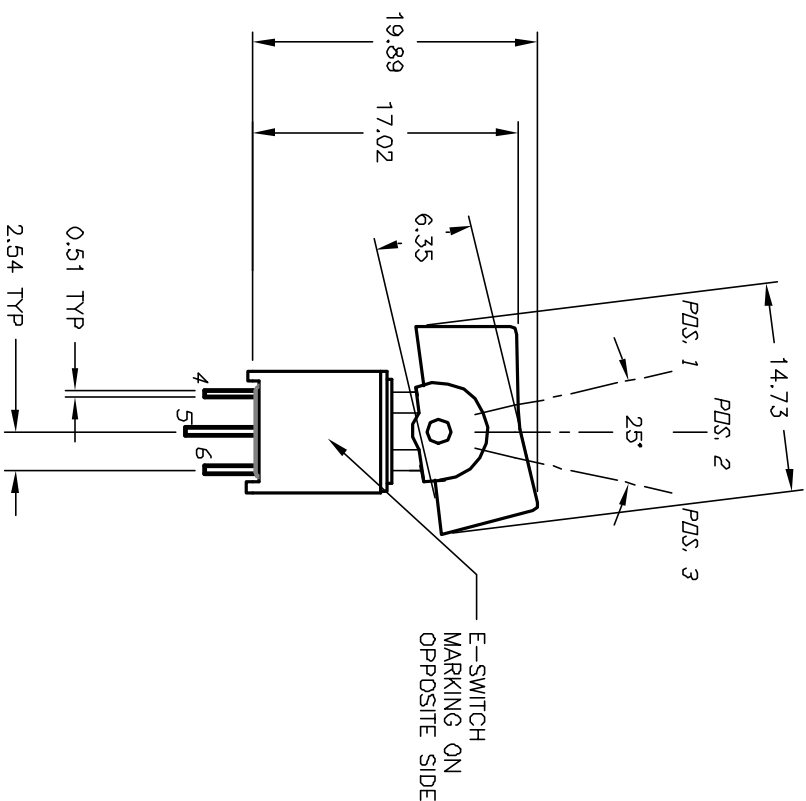


CIRCUIT: DPDT CONTACT CONFIGURATION

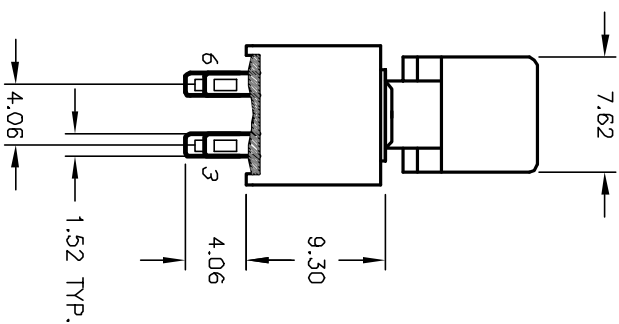
| SWITCH FUNCTION | | |
|-----------------|--------|---------|
| PDS. 1 | PDS. 2 | PDS. 3 |
| DN | OFF | DN |
| 2-3,5-6 | OPEN | 2-1,5-4 |

NOTES:

1. ALL DIMENSIONS IN MM
2. GENERAL TOLERANCE: X.X=±0.4
X.XX=±0.25
3. TERM. NOS. FOR REF. ONLY
4. RATING: 3A @120VAC or 28VDC.
1A @250VAC.
5. FIXED TERM/MOVING CONTACT
COPPER ALLOY W/SILVER PLATING
6. ELECTRICAL LIFE: 30,000 MAKE-AND-BREAK CYCLES
AT FULL LOAD.
7. INSULATION RESISTANCE: 1000M OHM TYPICAL
8. DIELECTRIC STRENGTH: 1,000 V RMS @SEA LEVEL
9. OPERATING TEMP: -30°C to +85°C



BOTTOM VIEW



E-SWITCH®

400A WMDP-3 R1 M1 QE

| REV. | ECN NO. | DESCRIPTION | DATE | CHKD |
|------|---------|-------------------------|----------|------|
| B | 12664 | REVISED NOTE 4 | 12/26/02 | CB |
| A | 12081 | RELEASED FOR PRODUCTION | 4/22/02 | CB |

| TITLE | | SCALE | | DATE | | DR | | DWG | | REV | |
|----------------------|--|-------|--|---------|--|----|--|---------|--|-----|--|
| 400A WMDP-3 R1 M1 QE | | 2:1 | | 4/22/02 | | CB | | T403007 | | B | |

THE INFORMATION CONTAINED IN THIS DOCUMENT IS PROPRIETARY TO E-SWITCH AND IS NOT TO BE COPIED OR TRANSMITTED