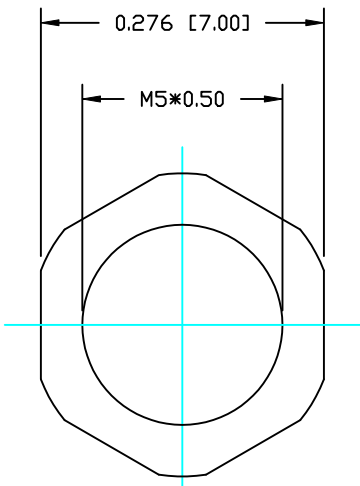
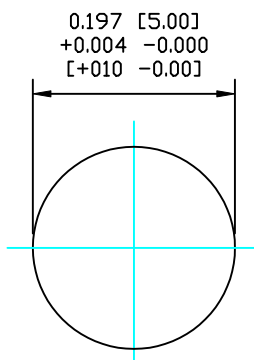
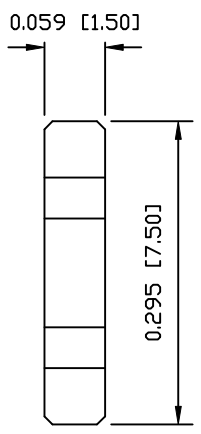


DESCRIPTION: M5 MALE - PANEL MOUNT (REAR) - SODER CUP - 4 POSITION



NUT



RECOMMENDED
PANEL CUTOUT

NOTE:

MATERIAL

HOUSING:	PBT UL94V-0, BLACK
CONTACT:	BRASS
NUT:	BRASS
SHELL:	BRASS
O-RING:	NBR, BLACK

FINISH

CONTACT:	GOLD PLATED OVER 50µ" NICKEL
NUT:	NICKEL PLATED
SHELL:	NICKEL PLATED

ELECTRICAL

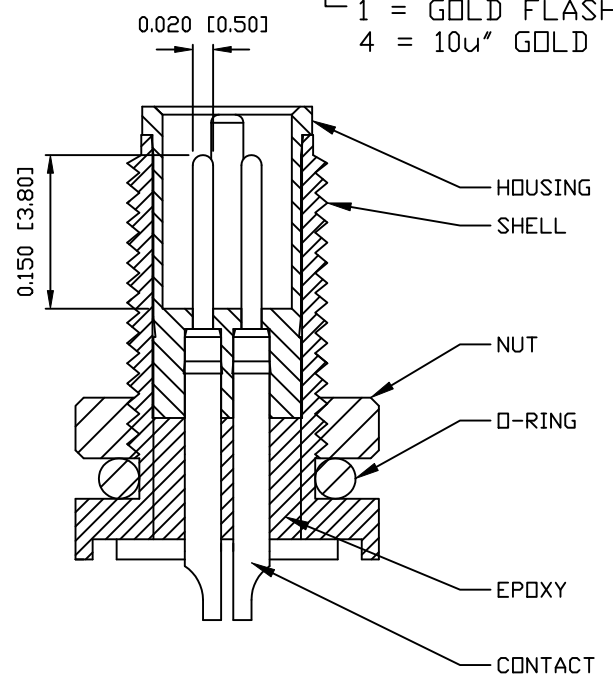
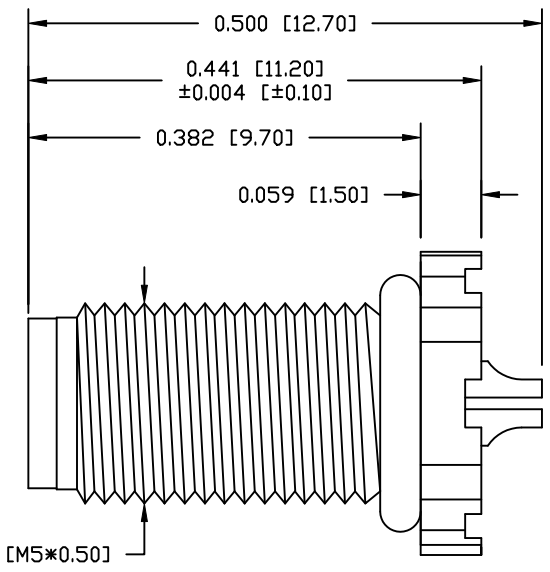
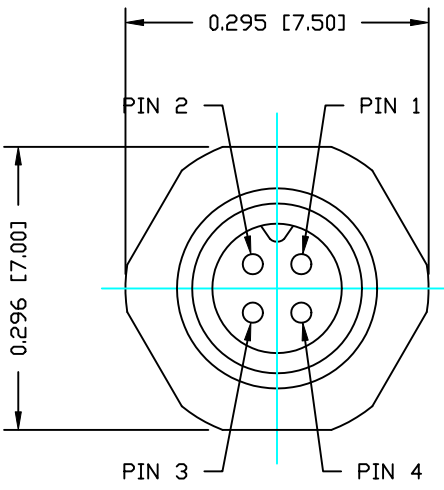
RATED CURRENT:	1A
RATED VOLTAGE:	60V
INSULATION RESISTANCE:	100 mΩhms MIN.
CONTACT RESISTANCE:	10 MΩhms MAX.
WATER PROOF:	IP67

ENVIRONMENT

OPERATION TEMPERATURE:	-40°C TO +85°C
WIRE GAUGE:	26-28 AWG

851-004-103R00Y

1 = GOLD FLASH
4 = 10µ" GOLD



RoHS COMPLIANT

DO NOT SCALE FROM DRAWING



THESE DRAWINGS AND SPECIFICATIONS ARE THE PROPERTY OF NorComp AND SHALL NOT BE REPRODUCED, COPIED OR USED AS THE BASIS FOR THE MANUFACTURE OR SALE OF APPARATUS WITHOUT WRITTEN PERMISSION.

DRAWN:	M. SIGMON	DATE:	03-04-16
CHECKED:		DATE:	

NorComp

SCALE:	NTS	SHEET	1	OF	1	REV	1
DWG NO.	851-004-103R00Y						