

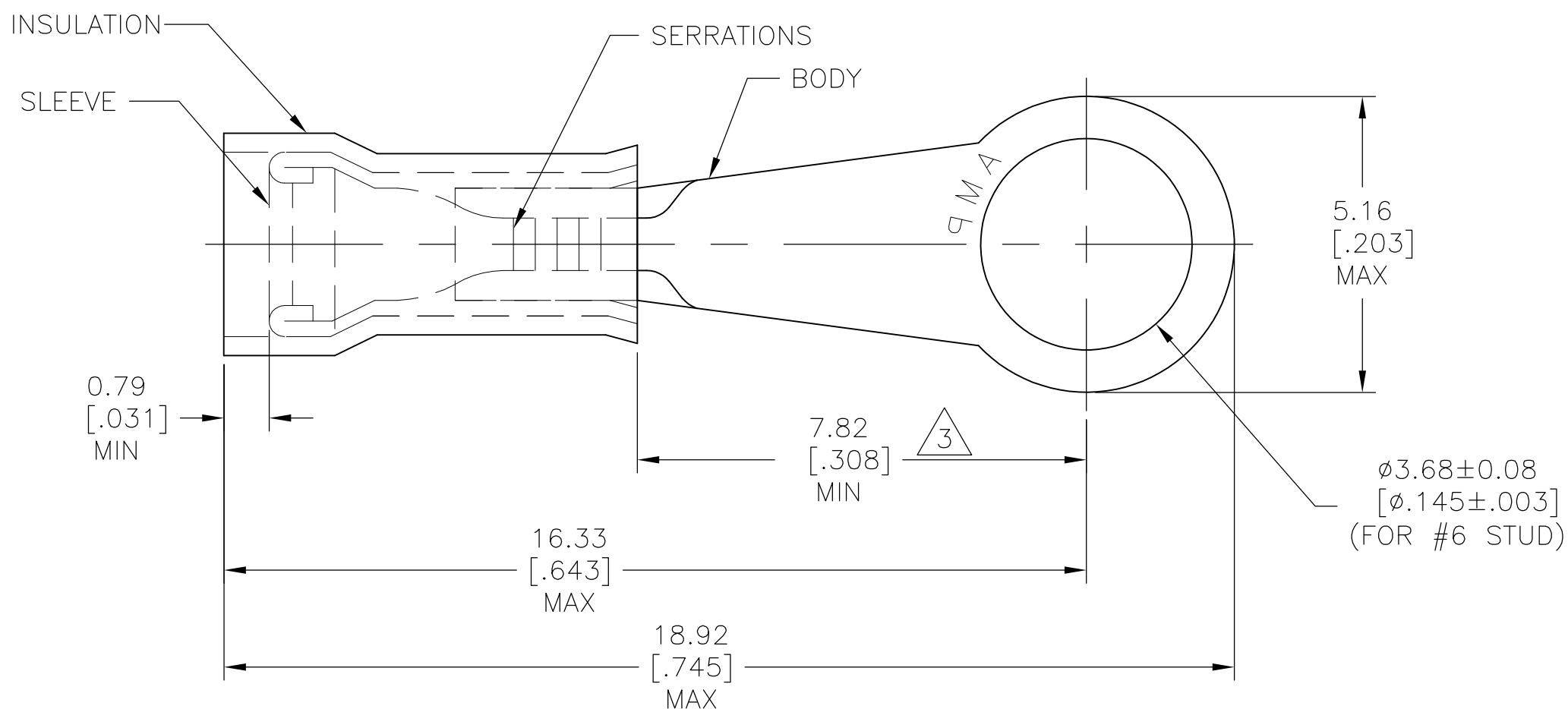
THIS DRAWING IS UNPUBLISHED.

RELEASED FOR PUBLICATION

ALL INTERNATIONAL RIGHTS RESERVED.

© COPYRIGHT BY TYCO ELECTRONICS CORPORATION.

LOC G	DIST 14	REVISIONS		
P	LTR	DESCRIPTION	DATE	DWN
	G1	REVISED PER ECR-10-004379	08MAR10	HMR
				APVD JR



1 FOR 1.27[.050] TO 2.08[.082] WIRE INSULATION DIA

2 TONGUE MATERIAL THK 0.46±0.05[.018±.002]

3 APPLIES FROM EDGE OF METAL BARREL TO CENTERLINE OF STUD HOLE.

1	WIRE TERMINAL	BODY: COPPER ASTM-B152 TIN PL ASTM-B545 SLEEVE: COPPER ASTM-B152 INSULATION: NYLON COLOR: YELLOW	321617
QTY	DESCRIPTION	MATERIAL & FINISH	PART NO

THIS DRAWING IS A CONTROLLED DOCUMENT.		DWN RAGHAVENDRA 08MAR10	Tyco Electronics Corporation Harrisburg, PA 17105-3608	
DIMENSIONS: mm [INCHES]		CHK JEFF RUTH 08MAR10	NAME TERMINAL NYLON - PIDG - RING TONGUE WIRE SIZE: 26-22	
TOLERANCES UNLESS OTHERWISE SPECIFIED:		APVD TOM MICHIELUTTI 08MAR10	PRODUCT SPEC	
0 PLC ± -		APPLICATION SPEC		
1 PLC ± -		WEIGHT -		
2 PLC ± -		SIZE A3		
3 PLC ± 0.13[.005]		CAGE CODE 00779		
4 PLC ± -		DRAWING NO C-321617		
ANGLES ± .5°		RESTRICTED TO -		
MATERIAL SEE TABLE	FINISH SEE TABLE	CUSTOMER DRAWING		
		SCALE 10:1	SHEET 1 OF 1	REV G1