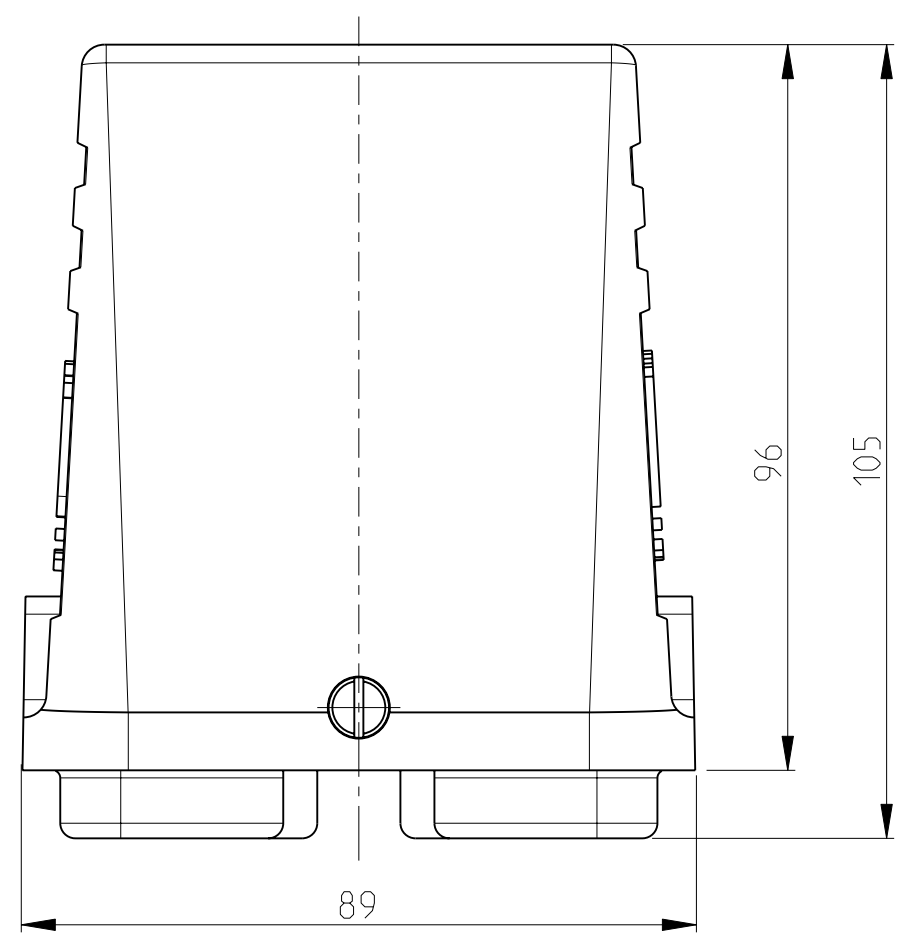
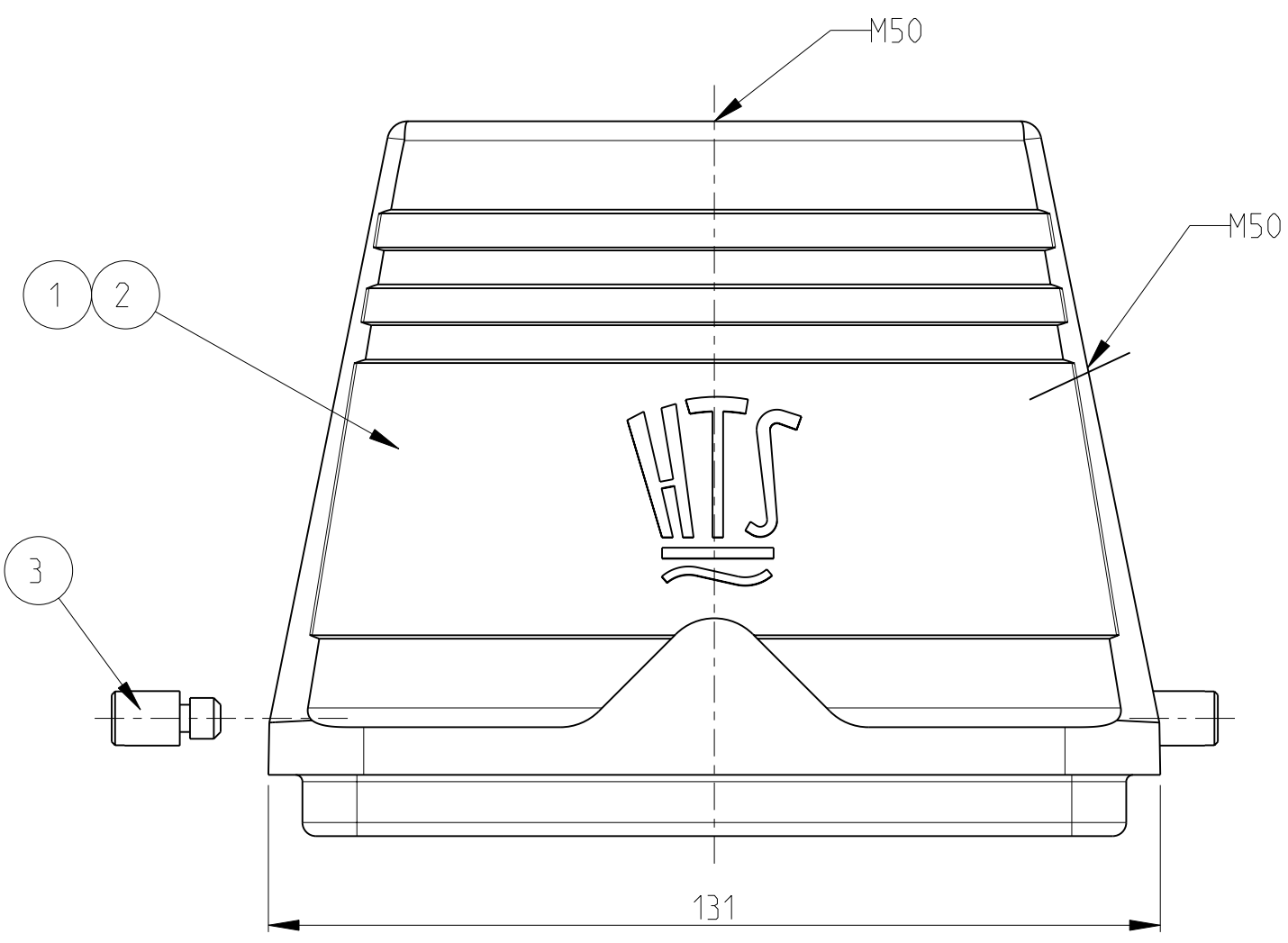


THIS DRAWING IS UNPUBLISHED. RELEASED FOR PUBLICATION 2006
 © COPYRIGHT 2006 BY TYCO ELECTRONICS CORPORATION. ALL RIGHTS RESERVED.

LOC	DIST	REVISIONS			
P	LTR	DESCRIPTION	DATE	DWN	APVD
A1	-	A1	new pro/E drawing	08MAY2009	SR AR



QTY	DESCRIPTION	MATERIAL	SURFACE	COLOR	ITEM	NOTES
2	CLIP BOLT	STEEL	ZINK PLATED	BLUE	3	
1	HOOD	ALU		GREY	2	
	HOOD	ALU		GREY	1	

HA.64.STO-GR.1.M50.G
 HA.64.STS-GR.1.M50.G

NOTES

- 1 PART SHALL BE FREE AND CLEAN OF BURRS AND OTHER FOREIGN MATERIAL
- 2 PACKAGING: QUANTITY 3 PIECES
- 3 VARNISHING INSIDE HOUSING NOT REQUIRED

<small>THIS DRAWING IS A CONTROLLED DOCUMENT FOR TYCO ELECTRONICS CORPORATION IT IS SUBJECT TO CHANGE AND THE CONTROLLING ENGINEERING ORGANIZATION SHOULD BE CONTACTED FOR THE LATEST REVISION.</small>		DWN R.SCHNEIDER 08MAY2009 CHK T.SCHNURPFIL 08MAY2009 APVD - PRODUCT SPEC - APPLICATION SPEC - WEIGHT -	Tyco Electronics tyco Electronics AMP GmbH 53757 Sankt Augustin (Germany)
DIMENSIONS: mm 	TOLERANCES UNLESS OTHERWISE SPECIFIED: 0 PLC ±- 1 PLC ±- 2 PLC ±- 3 PLC ±- 4 PLC ±- ANGLES ±1° FINISH -	NAME HOOD HA.64.STO/STS-GR.1.M50.G	SIZE A3 CAGE CODE 00779 DRAWING NO. ©=1106480 RESTRICTED TO -
MATERIAL -		CUSTOMER DRAWING	SCALE 1:1 SHEET 1 OF 1 REV A1