

This document is the property of Amphenol Corporation and is delivered on the express condition that it is not to be disclosed, reproduced or used, in whole or in part, for manufacture or sale by anyone other than Amphenol Corporation without its prior consent, and that no right is granted to disclose or to use any information in this document.

The marking on this product doesn't contain environmental hazardous materials per Material Specification SS-00259 for Sony GP compliant or per directive 2011/65/EU for RoHS compliant.

REVISIONS				
SYM	ECN No.	DESCRIPTION	DATE	BY
AX1		UNRELEASED REVISION	08/21/2017	Joseph Jiang

**FOR REFERENCE ONLY**

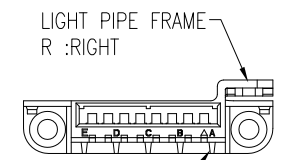
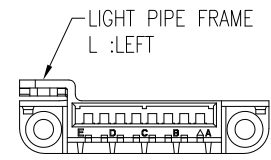
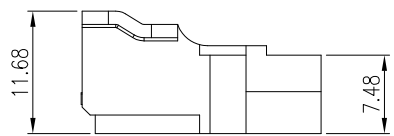
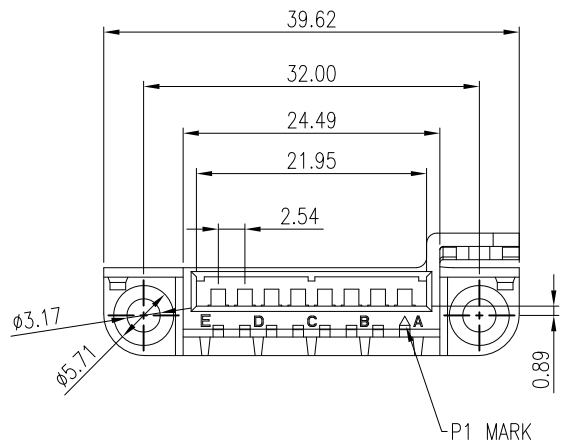
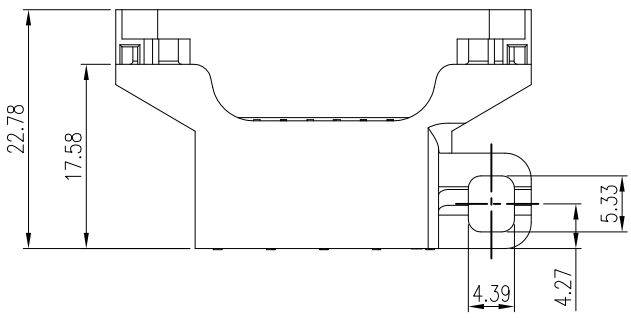


PARTS No.: GFMF01H X 1 X 00 XX HR

PCB THICKNESS  
0: 2.4mm

IDLE KEYS  
SEE TABLE

LIGHT PIPE FRAME LOCATION  
R : RIGHT  
L : LEFT



LIGHT PIPE FRAME & IDLE KEY LOCATION

PART No.	PCB THICKNESS (DIM B)	DIM A	LIGHT PIPE FRAME	IDLE KEY
GFMF01H01R0000HR	2.4	2.79	RIGHT	00 (ABCDE)
GFMF01H01R0001HR	2.4	2.79	RIGHT	01 (ABC )
GFMF01H01R0002HR	2.4	2.79	RIGHT	02 (AB D )

- NOTES:
- MATERIAL: HIGH TEMPERATURE THERMAL PLASTIC, UL94V-0, COLOR: BLACK.
  - PRODUCT SPECIFICATION : PS-7617
  - THIS PRODUCT DOESN'T CONTAIN ENVIRONMENTAL HAZARDOUS PER DIRECTIVE 2011/65/EU FOR RoHS COMPLIANT.

TOLERANCE	APPROVALS	DATE	TITLE		Amphenol®	
X. ±0.30	DRAWN Joseph Jiang	08/21/2017	EDGE CARD CONNECTOR		Amphenol Corporation	
X.X ±0.20	CHECKED Chenny Yeh	08/21/2017	FOR FAN MODULE		Amphenol Taiwan Corporation	
X.XXX ±0.10	APPROVED Hank Hsu	08/21/2017	8 PIN		PART No.	GFMF01HX1X00XXHR
ANGULAR ±1°	DWG TYPE CUST DWG	PROJECT CODE XXX	UNIT mm	SIZE A3	DWG No.	GFMF01HX1X00XXHR
UNLESS OTHERWISE SPECIFIED			SCALE NA	SHEET 1 OF 1	REV.	AX1