

Model No: SBS-250F38CP01-04

Rev: 1

Product Line: Tymphany

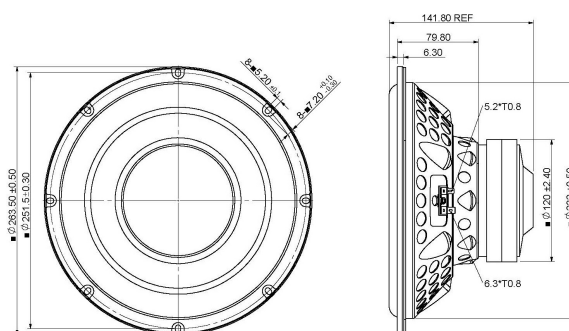
Last Update: 2017-04-21 12:39:42

## Product Description

This 10inch 4ohm subwoofer, a member of the new SBS product family, with a coated paper cone, with NBR surround and steel basket, the motor features a double ferrite magnet motor. The product offers high power handling capacity, geared towards operation in smaller sealed, powered system.



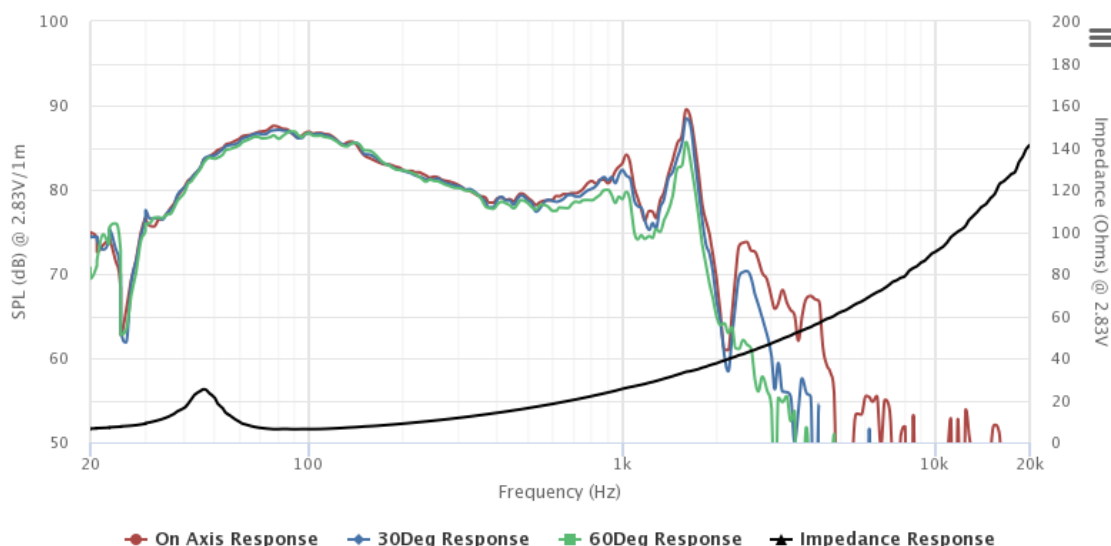
## Mechanical Drawing



## Specifications

|                               |             |        |       |           |                            |      |                          |
|-------------------------------|-------------|--------|-------|-----------|----------------------------|------|--------------------------|
| DC Resistance                 | Revc        | Ohms   | 3.89  | 5.0%      | Energy Bandwidth Product   | EBP  | (1/Qes)*fs               |
| Minimum Impedance             | Zmin        | Ohms   | 6.26  | 7.5%      | Moving Mass                | Mms  | g                        |
| Voice Coil Inductance         | Le          | mH     | 1.16  |           | Suspension Compliance      | Cms  | um/N                     |
| Resonant Frequency            | Fs          | Hz     | 49.96 | 15%       | Effective Cone diameter    | D    | cm                       |
| Mechanical Q Factor           | Qms         |        | 4.46  |           | Effective Piston Area      | Sd   | cm <sup>2</sup>          |
| Electrical Q Factor           | Qes         | 0.93   |       |           | Effective Volume           | Vas  | L                        |
| Total Q Factor                | Qts         | 0.77   |       |           | Motor Force Factor         | BL   | Tm                       |
| Ratio Fs/Qts                  | F           | Fs/Qts | 64.72 |           | Motor Efficiency Factor    | β    | (T*M <sup>2</sup> )/Ohms |
| Half Space Sensitivity @2.83V | db@2.83V/1M | dB     | 86.61 | +/- 1.0db | Voice coil former Material | VCfm | ASV                      |
| Half Space Sensitivity @1W/1M | db@1W/1M    | dB     | 85.5  | +/- 1.0db | Voice coil inner diameter  | VCd  | mm                       |
| Gap Height                    | Gh          | mm     | 8     |           | Rated Noise Power          | P    | W                        |
| Maximum Linear Excursion      | Xmax        | mm     | 10.5  |           | Test Spectrum Bandwidth    |      | 40Hz-200Hz               |
| Ferrofluid Type               | FF          |        |       |           | Driver Size                | Inch | 10 in                    |
| Driver Mass                   | Kg          | 3.16   |       |           |                            |      |                          |

## Frequency and Impedance Response



Highcharts.com