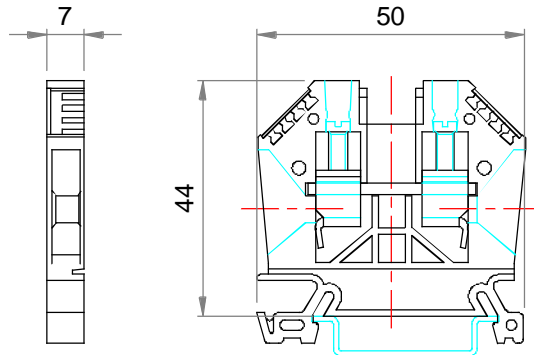


Part number description :

10134253-XXXLF

- ▶ LF: Lead Free, RoHs compliant, see note
- ▶ XXX : Color ref or/and version



Note : THIS PRODUCT MEETS EUROPEAN UNION DIRECTIVES AND OTHER COUNTRY REGULATIONS AS PER GS-47-0004

PN	Colour	Version
10134251-001LF	grey	
10134251-002LF	black	
10134251-003LF	blue	
10134251-004LF	brown	
10134251-005LF	yellow-green	
10134251-006LF	green	
10134251-007LF	yellow	
10134251-008LF	orange	
10134251-009LF	red	
10134251-010LF	white	

TECHNICAL DATA / DIMENSIONS

Dimensions	
Width mm	7.0
Length mm	50.0
Height mm	44.0
Mounting type (EN 60715)	Omega TH35
Technical data	
Maximum load current	50A
Insulating material	PA
Self-extinguishing degree acc. to UL94	V2
Rated surge voltage	8kV
Pollution degree	3
Surge voltage category	III
Insulating material group	I
Nominal Voltage	1000V
Nominal Current	41A
Connection data	
Conductor cross-section solid min/max	0.50 / 10 mm ²
Conductor cross-section stranded min/max	0.50 / 6 mm ²
AWG min/max	22-8AWG
Max conductor cross-section stranded with ferrule with plastic sleeve	6 mm ² / L=18 mm
Stripping length	max 12 mm
Screw	M3,5
Tightening torque	0,8Nm / 10 Lb-In

ACCESSORIES

Item	Description
Marking	
10134398-001LF	Blank single-digit marking tags
10134398-002LF- 10134398-011LF	Printed single-digit marking tags numbered : 1÷0
10134398-012LF- 10134398-041LF	Printed single-digit marking tags with letter: A-Z
10134399-001LF	Marking tag adapter
10134400-001LF	Blank Marking tags
10134401-001LF	Blank Marking tags

DIN RAIL system - Mounting and Installation material

10134392-001LF	Steel Omega Rail TH35x7,5mm -2mt length
10134393-001LF	Slotted Steel Omega Rail TH35x7,5mm -2mt length
10134394-001LF	Steel Omega Rail TH35x15mm -2mt length
10134395-001LF	Slotted Steel Omega Rail TH35x15mm -2mt length
10134387-001LF	Angled support bracket
10134389-001LF	End Bracket for TH35 Omega rail -Width 9mm
10134390-001LF	End Bracket for TH35 Omega rail -Width 6mm
10134391-001LF	Fast-snap End Bracket for TH35 Omega rail

Additional items

10134260-001LF	End Plate for SCREW Terminal Blocks 6/10
10134264-001LF	Separator for SCREW Terminal Blocks 6/10
10134275-001LF	Insulated 2 poles screw-jumper -pitch 7,1mm -JP6
10134275-002LF	Insulated 3 poles screw-jumper -pitch 7,1mm -JP6
10134275-003LF	Insulated 24 poles screw-jumper -pitch 7,1mm -JP6
10134276-001LF	Red test plug adapter
10134276-002LF	Black test plug adapter

APPROVALS



AWG 22-8 - 600V - 50A



RINA

EN60947-7-1 6mm² - 1000V - 41A

spec ref	dr	Aymeric Souday	11-06-2015	projection	size	A3	scale	1:1
tolerance std	eng	Aymeric Souday	11-06-2015		mm	ecn no	rel level	rev
ISO 406 ISO 1101	chr							
surface ✓ ISO 1302	appr	Aymeric Souday	11-06-2015	product family	DIN Terminal Block		dwg no	10134253
	linear	0.X	± 0.3		title	SCREW Terminal block 6		
	0.XX	± 0.1						
	0.XXX	± 0.05						
	angular	0°	± 2°	www.fcicon.com	cat. no.	-	Product customer drawing	sheet 1 of 1