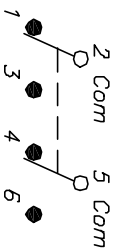


RECOMMENDED P.C.B. LAYOUT



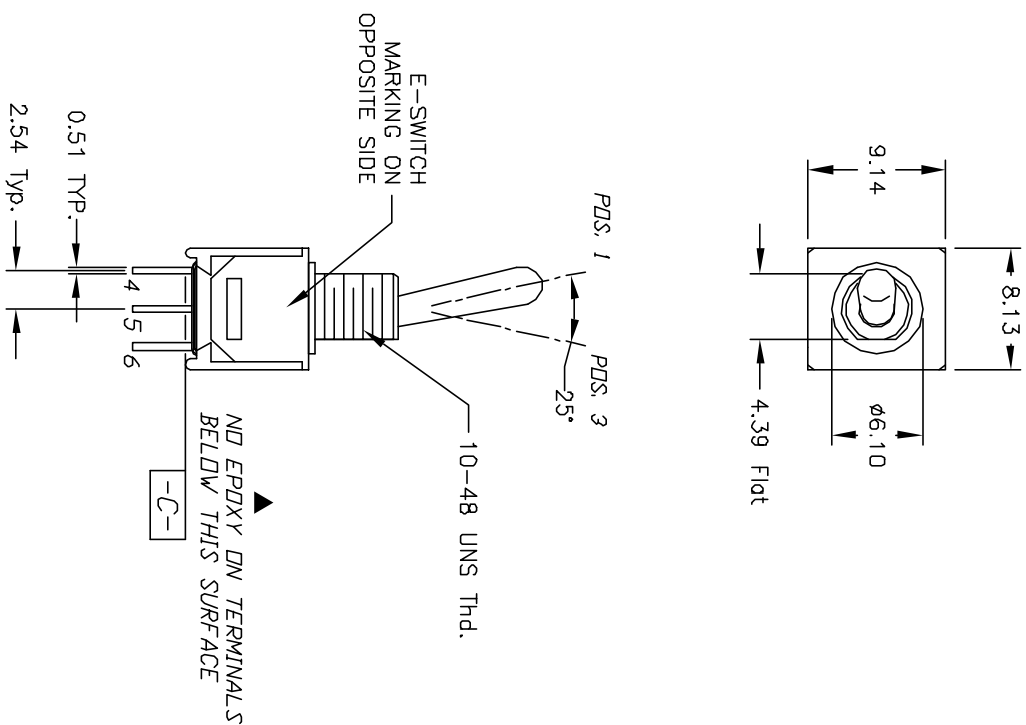
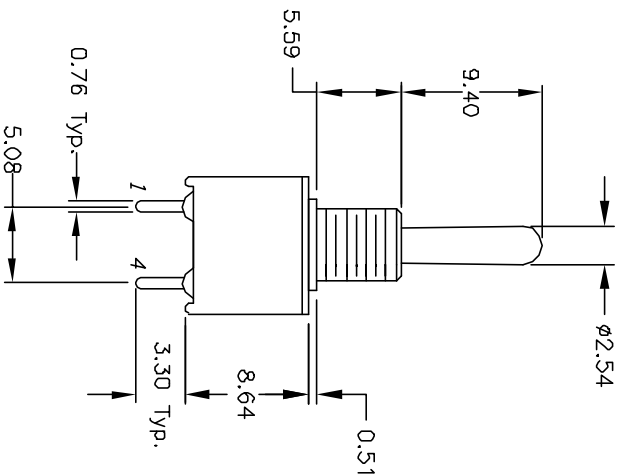
CIRCUIT: DPDT  
CONTACT CONFIGURATION

SWITCH FUNCTION		
PDS. 1	PDS. 2	PDS. 3
DN	NONE	<DN>
2-3,5-6	DPEN	2-1,5-4

< > = MOMENTARY

NOTES:

1. ALL DIMENSIONS IN MM
2. GENERAL TOLERANCE: X.X=±0.4  
X.XX=±0.25
3. TERM. NOS. FOR REF. ONLY
4. CONTACT RATING: 0.4VA max. @20VAC or DC
5. FIXED TERM/MOVING CONTACT:  
COPPER ALLOY w/GOLD CONTACTS
6. ELECTRIC LIFE: 30,000 make-and-break cycles  
at full load.
7. INSULATION RESISTANCE: 1,000 M ohm min.
8. DIELECTRIC STRENGTH: 1,000 V RMS @sea level.
9. OPERATING TEMP.: -30°C to +85°C



**E-SWITCH®**

200 MDP-2 T1 B1 M2 R E

REV.	ECN NO.	DESCRIPTION	DATE	CHKD
A	11930	RELEASED FOR PRODUCTION	2/13/02	CB

TITLE	SCALE	DATE	DR	DWG	REV
200 MDP-2 T1 B1 M2 R E	2:1	2/13/02	CB	T211057	A

THE INFORMATION CONTAINED IN THIS DOCUMENT IS PROPRIETARY TO E-SWITCH AND IS NOT TO BE COPIED OR TRANSMITTED