

NOTES: UNLESS OTHERWISE SPECIFIED.

1. TOLERANCES TO BE ± 0.5 mm.

2. PARTS SPECIFIED AS FOLLOWS:

2-1. ENCLOSURE:

- * MEET MIN. V-0 FLAMMABILITY.
- * COLOR: BLACK.
- * TEXTURE: MT11020.

2-2. AC INLET:

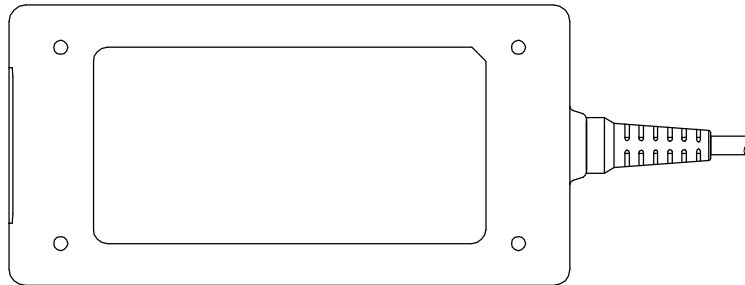
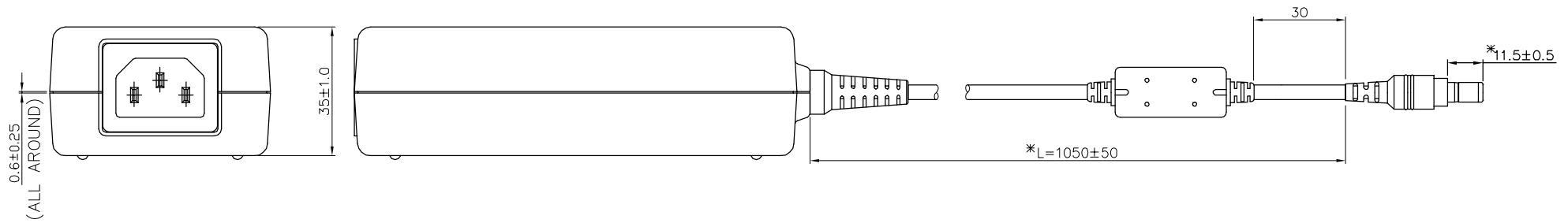
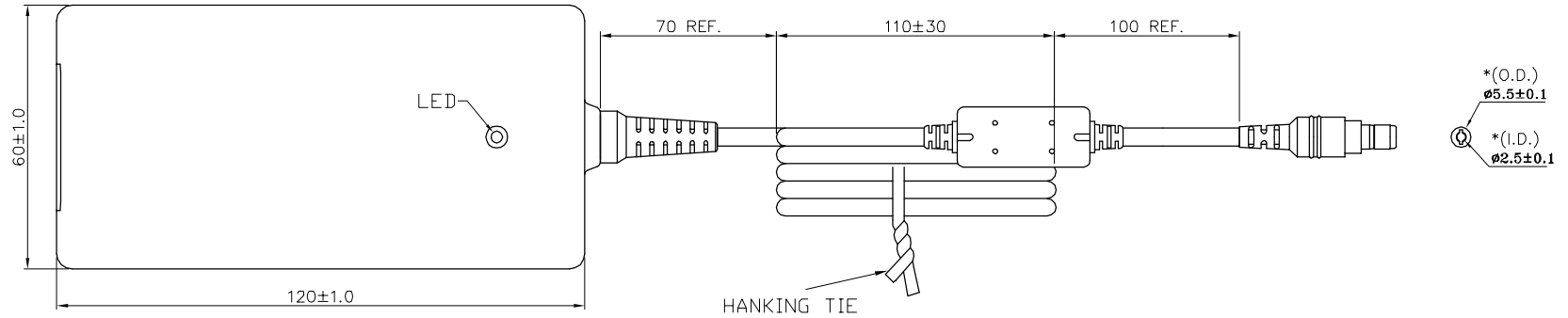
- * IEC 320, C14 CERTIFIED, 3 WAY.
- * COLOR: BLACK.

2-3. DC OUTPUT:

- * PLUG SHAPE: EIAJ TYPE, 4TH LEVEL.
- * PLUG INSULATOR: BLACK
- * PLUG POLARITY: (+) \rightarrow \rightarrow (-)
- * COLOR: BLACK

2-4. ADAPTOR UNIT:

- * DIMENSIONS MARKED * MARK MUST BE INSPECTED & CONTROLLED STRICTLY BY OQC.



REVISION	RELEASED	2012/10/31	CHECKER	UNIT: mm	SHEET CODE: 1/1 2012/10/31	SCALE: 1:21	2D FILE: PA-1061-021L-LF-PD_A	3D FILE:	DESIGNER: WINSION	APPROVER: BRIAN		TITLE: MYLAR	PART NO:	PROJECT: PA-1061-021L-LF	DRAWING NO:	REV: A
----------	----------	------------	---------	----------	-------------------------------	-------------	-------------------------------	----------	-------------------	-----------------	--	--------------	----------	--------------------------	-------------	--------