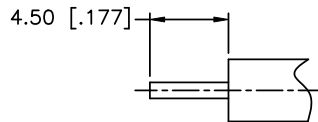


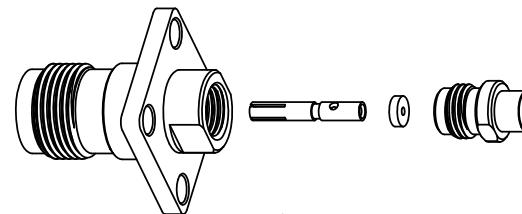
NOTES:

1. ELECTRICAL:
  - A. IMPEDANCE: 50 OHM
  - B. DIELECTRIC WITHSTANDING VOLTAGE:1500 VRMS. MIN.
2. MECHANICAL:
  - A. DURABILITY:500 CYCLES MIN.
  - B. TEMPERATURE RANGE:-65°C TO +165°C
3. CONTACT PIN TO SOLDER

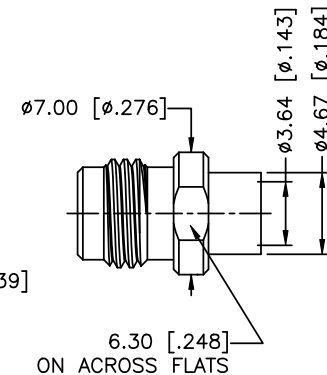
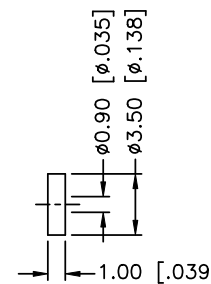
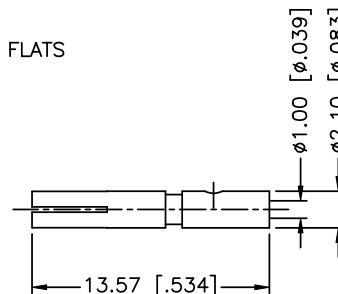
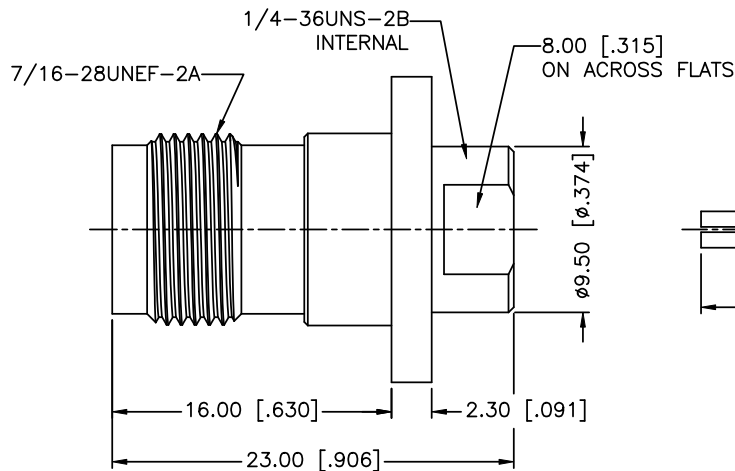
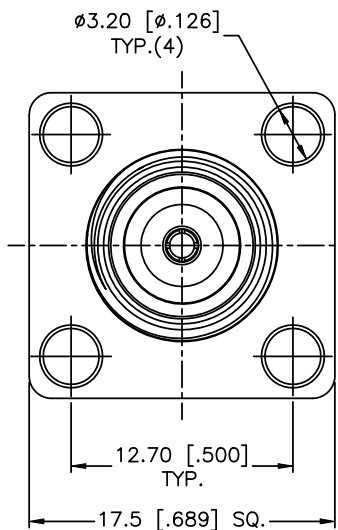
REV.	DATE	ECR NO.	DESCRIPTION
NC	03/06/03	XXXXXX	INITIAL RELEASE
A	01/24/06	XXXXXX	ADD 50 OHM TO DESCRIPTION/UPDATE DRAWING FORMAT
B	12/03/08	100062	REVISE CABLE STRIPPING TO 4.5/CONTACT PIN TO 13.75
C	02/25/13	2452	CORRECT MINOR DIMENSIONAL ERRORS, SHOW CONTACT CAPTIVATION NOTCH, UPDATE DRAWING FORMAT



RECOMMENDED  
CABLE STRIPPING DIM'S



SCALE 1.000



QTY	DESCRIPTION	MATERIAL	FINISH	QTY
1	HOUSING	BRASS	NICKEL	1
1	BODY	BRASS	NICKEL	1
2	INSULATOR	PTFE	NATURAL	2
4	CONTACT PIN	PHOSPHOR BRONZE	GOLD	1
5	SOLDER NUT	BRASS	GOLD	1

UNLESS OTHERWISE SPECIFIED DIMENSIONS ARE IN MILLIMETERS. DIMENSIONS IN [ ] ARE IN INCHES AND FOR CUSTOMER REFERENCE ONLY.

UNLESS OTHERWISE SPECIFIED TOLERANCES FOR MILLIMETERS ARE:  
 0.5 - 8mm ± 0.20mm  
 8 - 30mm ± 0.40mm  
 30 - 120mm ± 0.50mm

UNLESS OTHERWISE SPECIFIED TOLERANCES FOR INCHES ARE:  
 .020 - .315 = ± 0.007"  
 .315 - 1.180 = ± 0.015"  
 1.180 - 4.724 = ± 0.020"

DO NOT SCALE DRAWING

APPROVALS	DATE
DRAWN T.DENG	02/25/13
CHECKED	
ISSUED	
SHEET 1 OF 1	
CAD FILE C:/CONNEX/122419.DWG	

<h1>Amphenol Connex</h1>			
PART DESCRIPTION TNC PANEL DIRECT SOLDER JACK (FOR .141" SEMI RIGID CABLE)			
PART NO. 122419			
DWG. NO. 122419.DWG	REV. C	SIZE A	SCALE NA