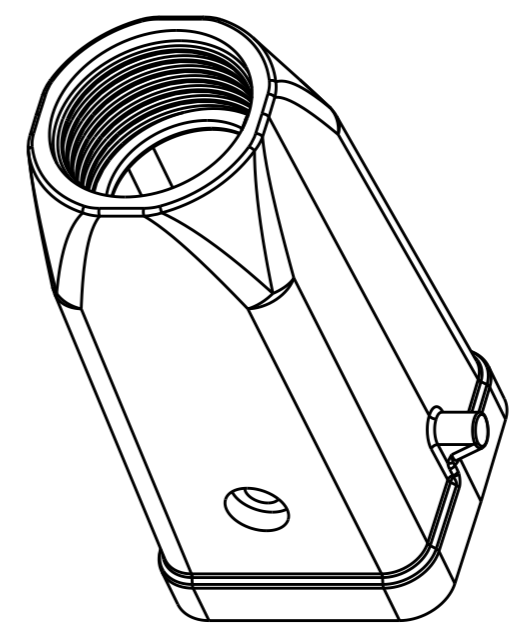
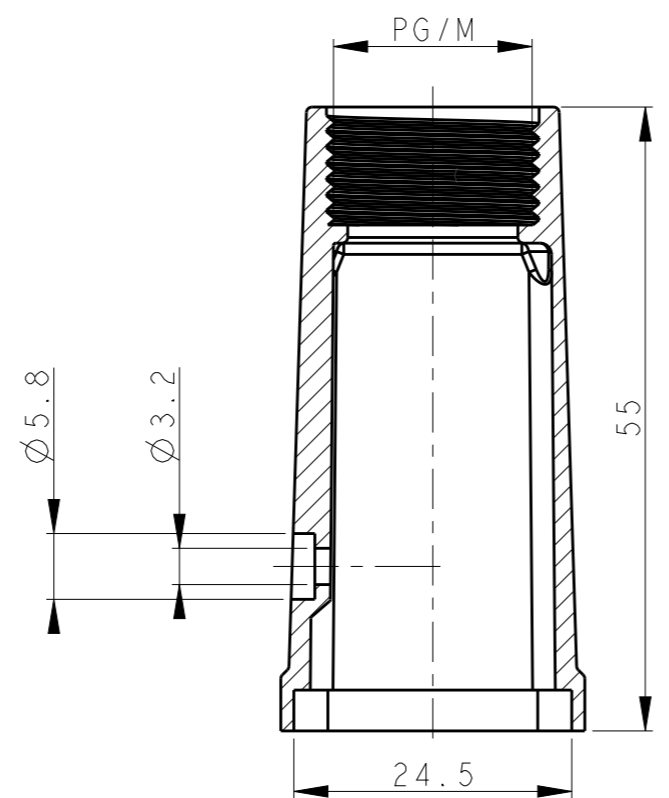
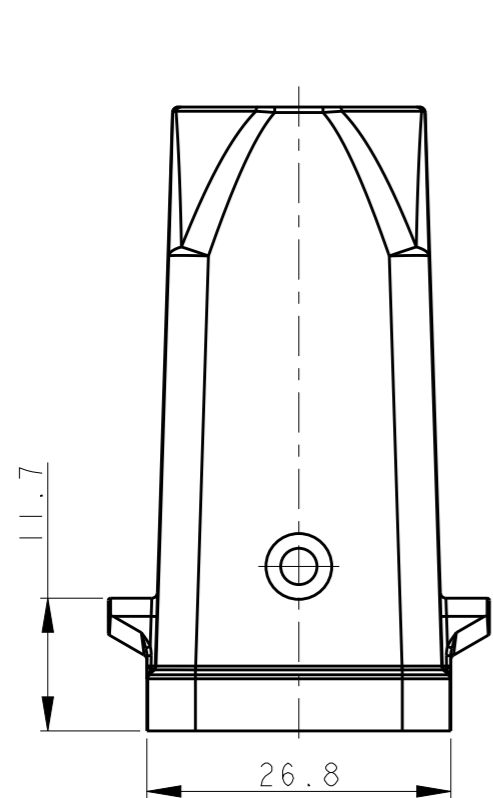


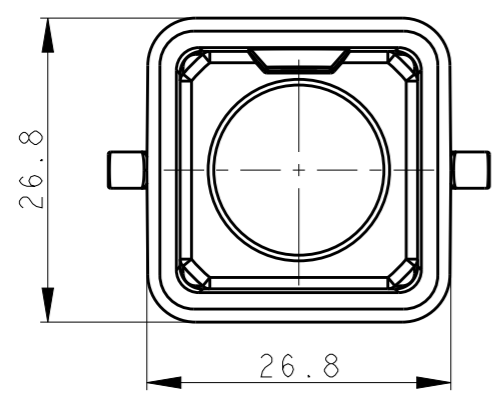
THIS DRAWING IS UNPUBLISHED. RELEASED FOR PUBLICATION 20
 © COPYRIGHT 20 BY - ALL RIGHTS RESERVED.

REVISIONS					
P	LTR	DESCRIPTION	DATE	DWN	APVD
	A	INITIAL RELEASE	22APR2015	DL	CW



NOTES:
 1. TECHNICAL CHARACTERISTICS:
 BODY MATERIAL: PC
 OPERATION TEMPERATURE: -40-+125°C
 DEGREE OF PROTECTION: IP65 (MATED)

注释:
 1. 技术参数:
 主体材料: PC
 工作温度: -40-+125°C
 防护等级: IP65(配合)



T1329031111-000	H3A-TG-PG11	PG11
T1329031120-000	H3A-TG-M20	M20
ASSEMBLY PART NUMBER	ASSEMBLY PART DESCRIPTION	PG/M

THIS DRAWING IS A CONTROLLED DOCUMENT.		DWN 22APR2015 DAVID LI												
DIMENSIONS: mm		CHK 22APR2015 CHRIS WANG			NAME H3A-TG-PG/M									
TOLERANCES UNLESS OTHERWISE SPECIFIED:		APVD 22APR2015 XU XIANG												
<table border="1"> <tr><td>0 PLC</td><td>±-</td></tr> <tr><td>1 PLC</td><td>±-</td></tr> <tr><td>2 PLC</td><td>±-</td></tr> <tr><td>3 PLC</td><td>±-</td></tr> <tr><td>4 PLC</td><td>±-</td></tr> <tr><td>ANGLES</td><td>±-</td></tr> </table>		0 PLC			±-	1 PLC	±-	2 PLC	±-	3 PLC	±-	4 PLC	±-	ANGLES
0 PLC	±-													
1 PLC	±-													
2 PLC	±-													
3 PLC	±-													
4 PLC	±-													
ANGLES	±-													
MATERIAL	FINISH	APPLICATION SPEC 114-137134	SIZE A3	CAGE CODE -	DRAWING NO C-T13290311XXX00	RESTRICTED TO -								
CUSTOMER DRAWING			SCALE 3:2	SHEET 1 OF 1	REV A									