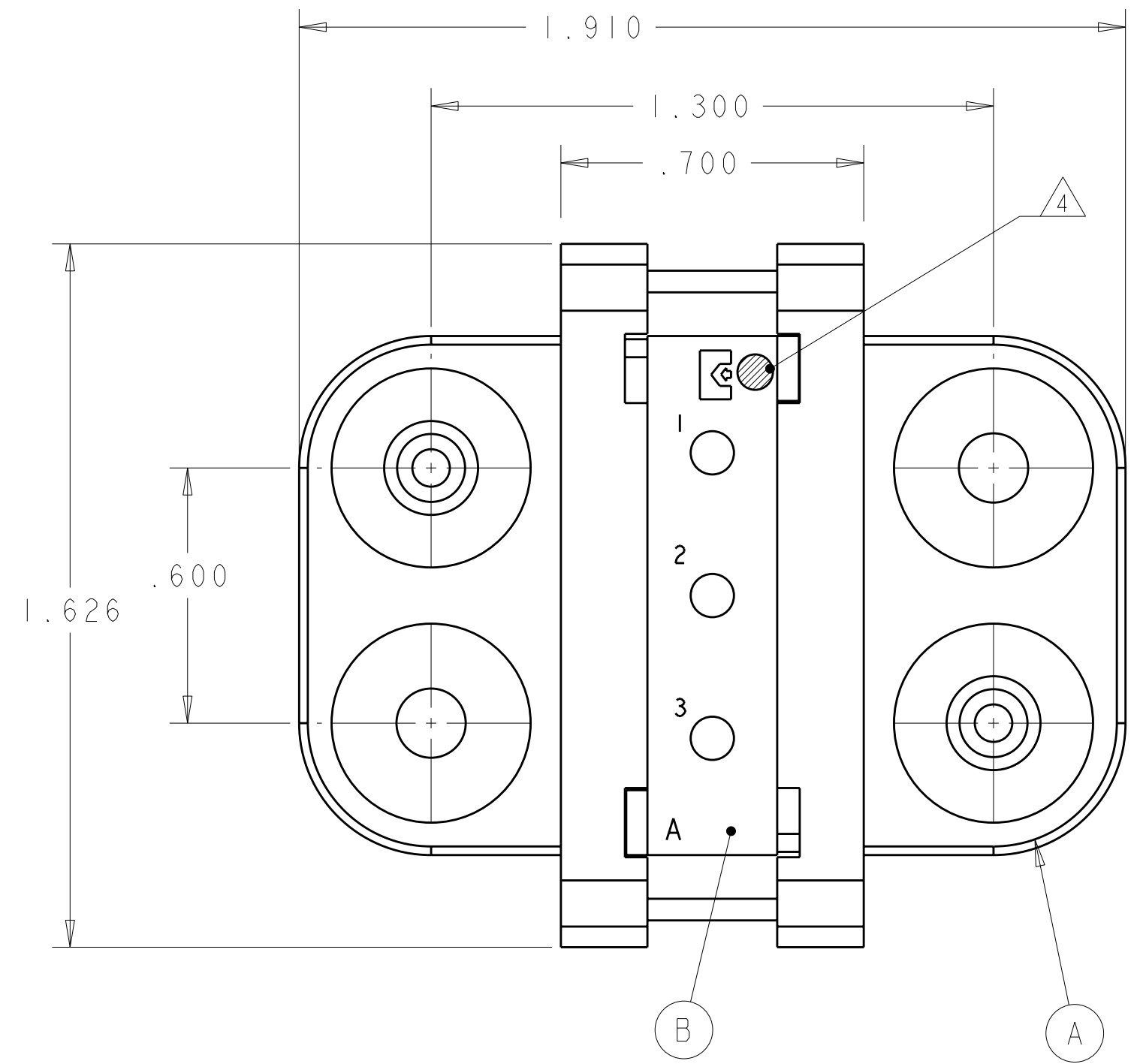
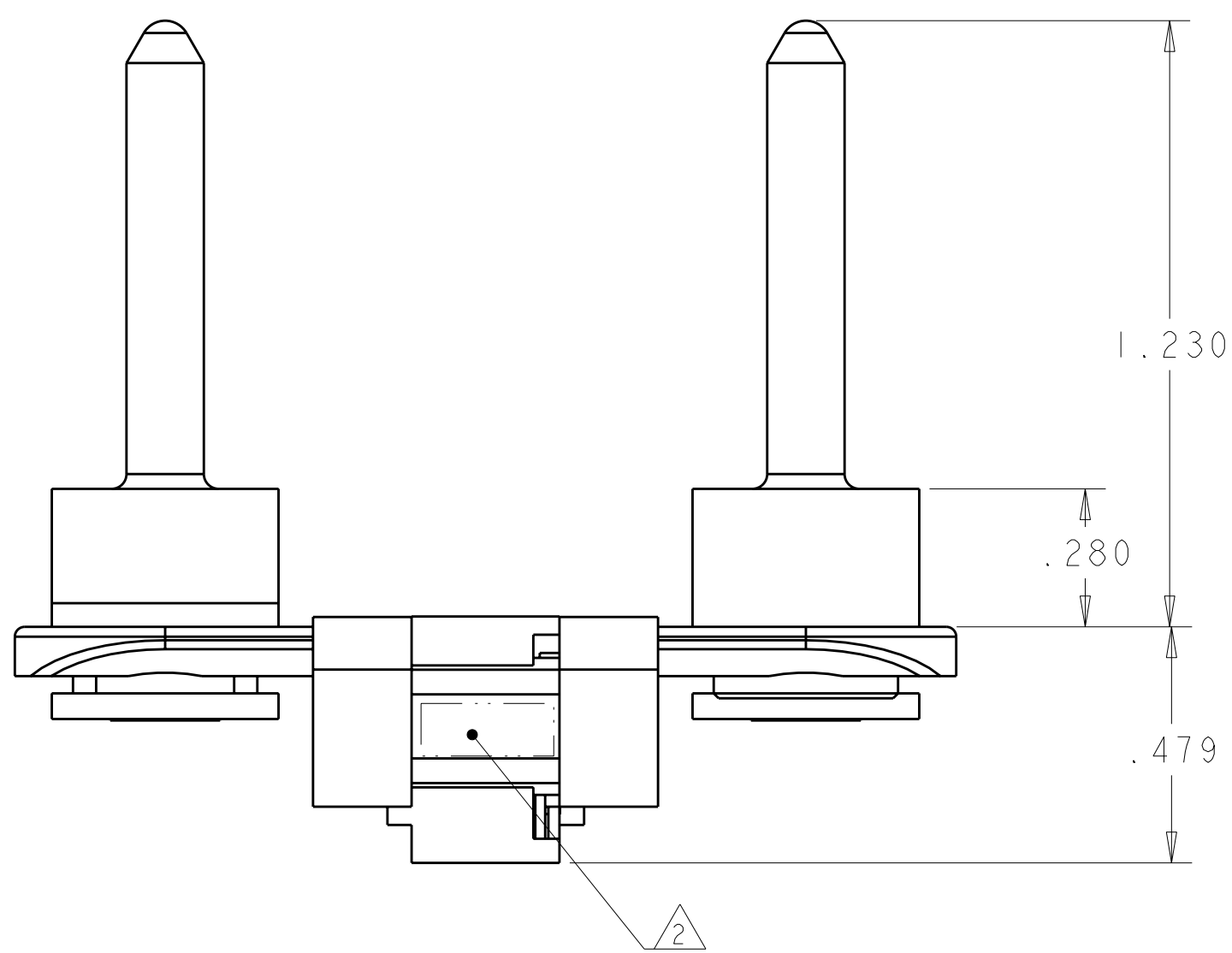


THIS DRAWING IS UNPUBLISHED. RELEASED FOR PUBLICATION 20
 © COPYRIGHT 20 BY TYCO ELECTRONICS CORPORATION. ALL RIGHTS RESERVED.

LOC	DIST	REVISIONS					
GP	00	P	LTR	DESCRIPTION	DATE	DWN	APVD
			A	RELEASED	13NOV2008	RG	DO



- 1. PART NUMBER CHANGES AND/OR DESIGN CHANGES AFFECTING ITEM INTERCHANGEABILITY REQUIRE TYCO ELECTRONICS APPROVAL AND AUTHORIZATION BY REVISION TO THIS DRAWING.
- 2. ITEMS PROVIDED TO THIS SPECIFICATION TO BE PERMANENTLY IDENTIFIED WITH THE PART NUMBER AND DATE CODE.
- 3. MOUNTING FLANGE BUSHING ACCEPTS 6/32 SCREW (Ø .156 CLEARANCE HOLE, FLOAT MOUNT) OR 8/32 SCREW (Ø .173 CLEARANCE HOLE, FIXED MOUNT) USER SUPPLIED.
- 4. WHITE DOT INDICATES LOCATION OF PIN CAVITY No. 1



1	1648501-1	MODULE "A"	B
2	6648251-1	END CAP, GUIDE PIN, FLOAT	A
-1	PART NO.	DESCRIPTION	ITEM

<small>THIS DRAWING IS A CONTROLLED DOCUMENT FOR TYCO ELECTRONICS CORPORATION. IT IS SUBJECT TO CHANGE AND THE CONTROLLING ENGINEERING ORGANIZATION SHOULD BE CONTACTED FOR THE LATEST REVISION.</small>		DWN R. GRZYBOWSKI 05NOV2008 CHK D. ORRIS 05NOV2008 APVD M. PERCHERKE 05NOV2008	Tyco Electronics Harrisburg, PA 17105-3608
DIMENSIONS: INCHES	TOLERANCES UNLESS OTHERWISE SPECIFIED: 0 PLC ± 1 PLC ± 2 PLC ±.02 3 PLC ±.010 4 PLC ± ANGLES ±5 FINISH	PRODUCT SPEC APPLICATION SPEC WEIGHT	NAME PIN CONNECTOR DOMINO W/ PANEL CUT-OUT SIZE CAGE CODE DRAWING NO RESTRICTED TO A200779C-2085014 -
MATERIAL		CUSTOMER DRAWING	SCALE 3:1 SHEET 1 OF 2 REV A

ELCON DOMINO
 AMP 1471-9 REV 31MAR2000

4

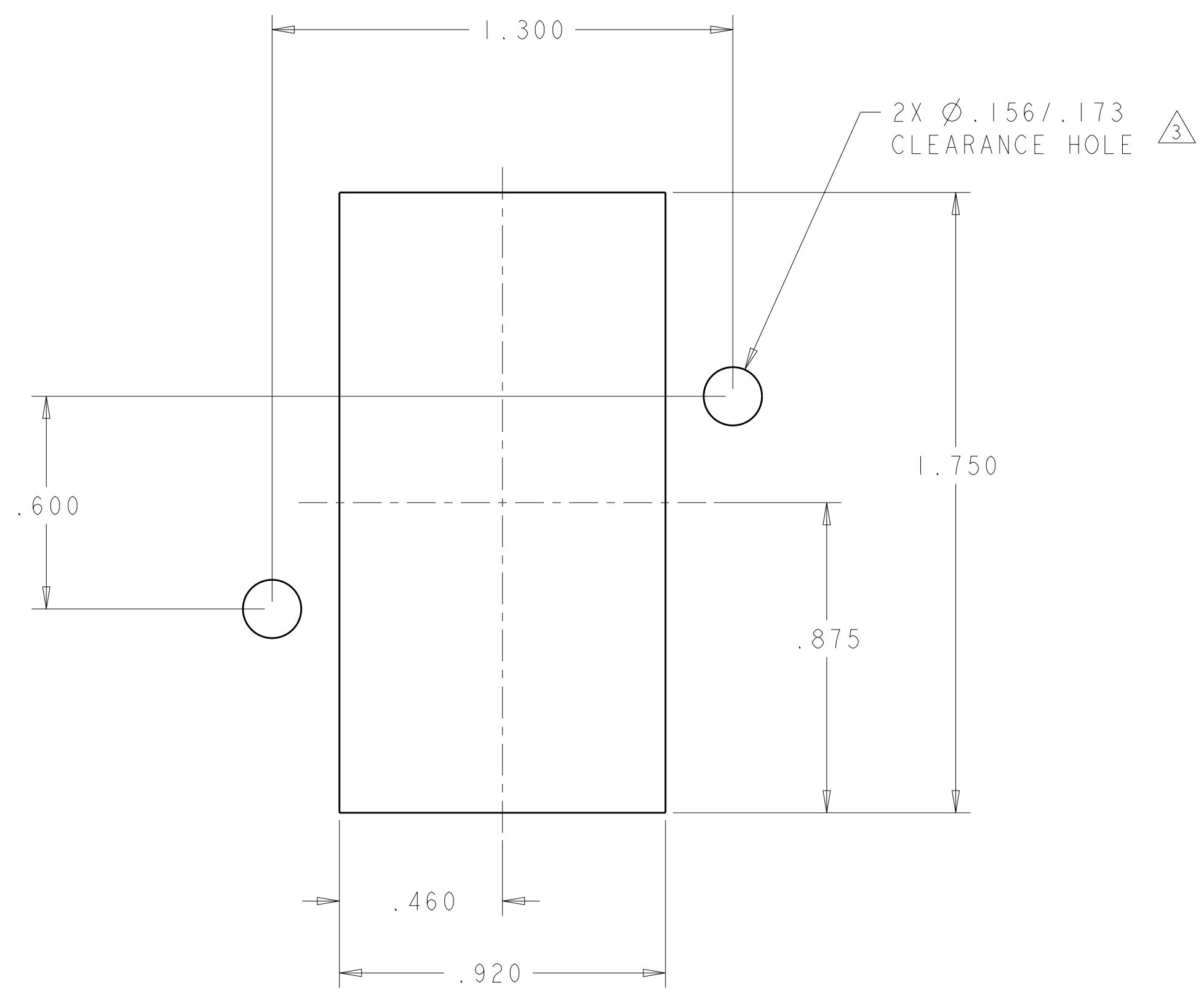
3

2

1

THIS DRAWING IS UNPUBLISHED. RELEASED FOR PUBLICATION 20
 © COPYRIGHT 20 BY TYCO ELECTRONICS CORPORATION. ALL RIGHTS RESERVED.

LOC	DIST	REVISIONS			
P	LTR	DESCRIPTION	DATE	DWN	APVD
GP	00	-	SEE SHEET 1	-	-



PIN CONNECTOR PANEL CUT-OUT

ELCON DOMINO

<small>THIS DRAWING IS A CONTROLLED DOCUMENT FOR TYCO ELECTRONICS CORPORATION IT IS SUBJECT TO CHANGE AND THE CONTROLLING ENGINEERING ORGANIZATION SHOULD BE CONTACTED FOR THE LATEST REVISION.</small>		DWN R. GRZYBOWSKI 05NOV2008 CHK D. ORRIS 05NOV2008 APVD M. PERCHERKE 05NOV2008	Tyco Electronics Harrisburg, PA 17105-3608
DIMENSIONS: INCHES	TOLERANCES UNLESS OTHERWISE SPECIFIED: 0 PLC ± 1 PLC ± 2 PLC ±.02 3 PLC ±.010 4 PLC ± ANGLES ±5 FINISH	PRODUCT SPEC APPLICATION SPEC WEIGHT CUSTOMER DRAWING	NAME PIN CONNECTOR DOMINO W/ PANEL CUT-OUT SIZE CAGE CODE DRAWING NO RESTRICTED TO A200779 C-2085014 -
		SCALE 3:1	SHEET 2 OF 2 REV A