

THIS DRAWING IS UNPUBLISHED. RELEASED FOR PUBLICATION  
 © COPYRIGHT BY TYCO ELECTRONICS CORPORATION. ALL RIGHTS RESERVED.

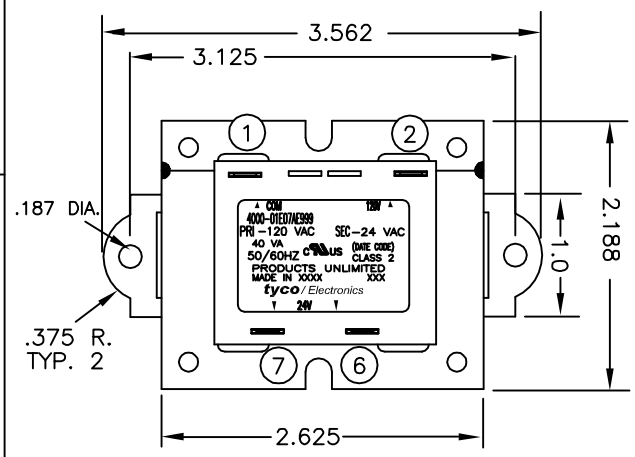
LOC	DIST	REVISIONS		
GZ	00	P	LTR	DESCRIPTION
		B		EC 0611-0255-03
			DATE	DWN
			30MAY03	MD
				APVD
				KH

PRIMARY			
TERM NO.	1	2	3
VOLTAGE	COM	120	
TERMINAL WIDTH	.250	.250	
TERMINAL THICKNESS	.032	.032	

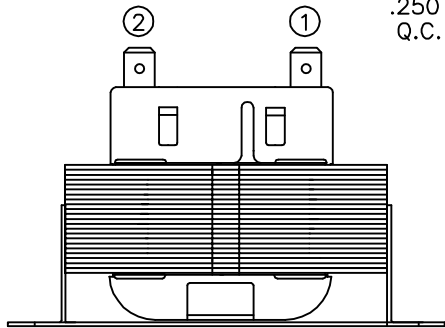
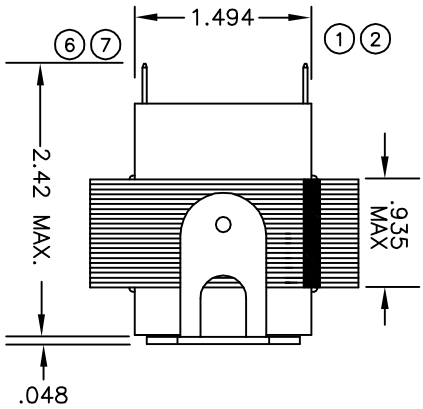
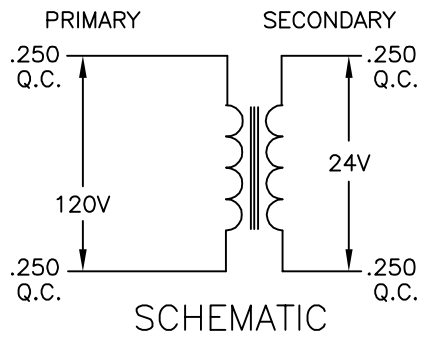
- NOTES
- DIMENSIONS FOR REFERENCE ONLY.
  - WINDING PROTECTION—INHERENTLY LIMITING

SECONDARY		
TERM NO.	6	7
VOLTAGE	24	VAC
TERMINAL WIDTH	.250	.250
TERMINAL THICKNESS	.032	.032

CERTIFICATION: UL, CUL FILE NO. E87824



ALL Q.C. .250 X .032



TYCO PART NUMBER  
1-1611453-2

THIS DRAWING IS A CONTROLLED DOCUMENT.		DWN	12FEB1997	
		CHK	K.H.	
DIMENSIONS: INCHES		APVD	-	
TOLERANCES UNLESS OTHERWISE SPECIFIED:		PRODUCT SPEC	-	
0 PLC ± -		APPLICATION SPEC	-	
1 PLC ± -		WEIGHT	-	
2 PLC ± -		CUSTOMER DRAWING	-	
3 PLC ± -		SIZE	A3	
4 PLC ± -		CAGE CODE	00779	
ANGLES ± -		DRAWING NO	C-4000-01E07AE999	
FINISH		RESTRICTED TO	-	
		SCALE	NTS	
		SHEET	1	OF 1
		REV	B	

Tyco Electronics Corporation  
Harrisburg, PA 17105-3608

TRANSFORMER OUTLINE  
P.U. STOCK