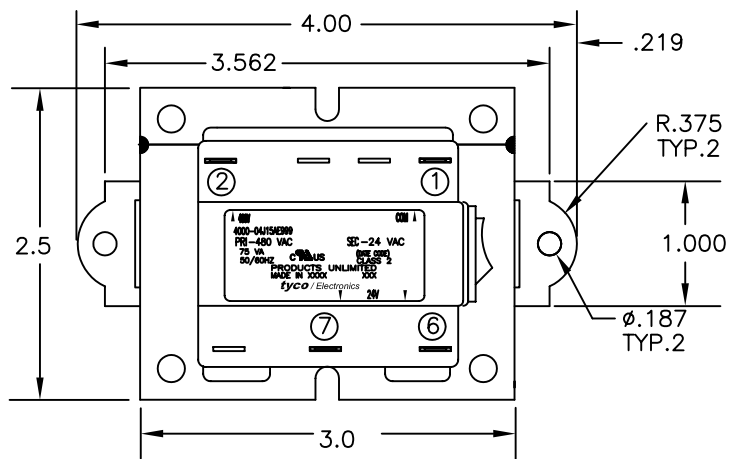


THIS DRAWING IS UNPUBLISHED. RELEASED FOR PUBLICATION  
 © COPYRIGHT BY TYCO ELECTRONICS CORPORATION. ALL RIGHTS RESERVED.

LOC	DIST	REVISIONS					
GZ	00	P	LTR	DESCRIPTION	DATE	DWN	APVD
		B		ECR-06-022111	14SEP06	KH	HT

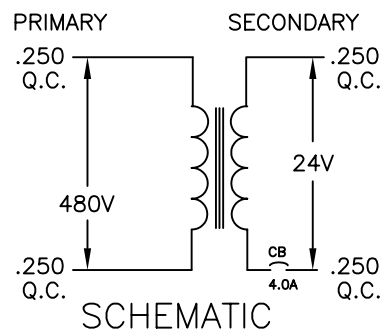
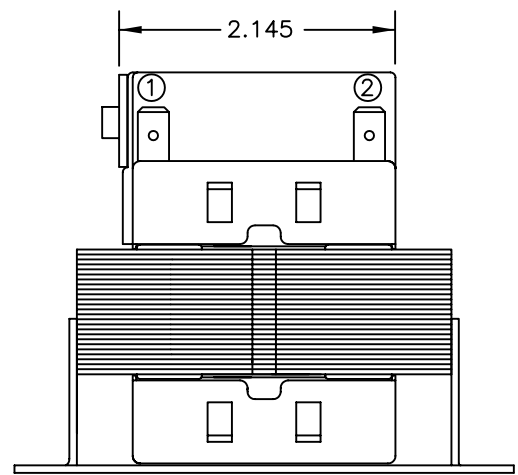
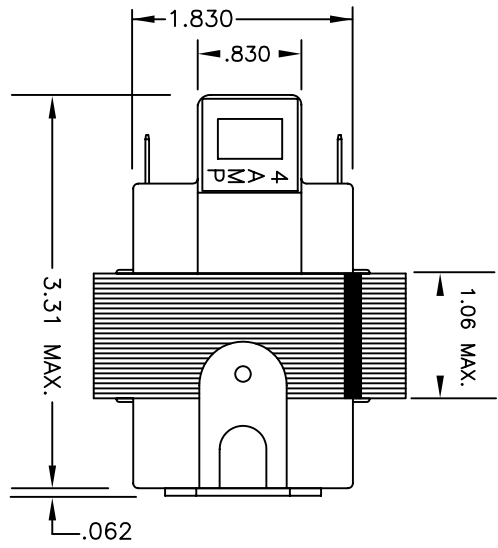
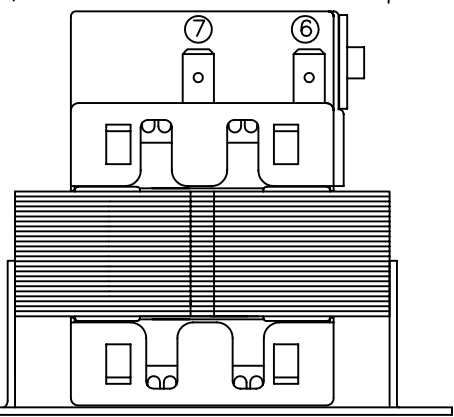


PRIMARY					SECONDARY				
TERM NO.	1	2	3	4	5	6	7	8	9
VOLTAGE	COM	480				24	VAC		
TERMINAL WIDTH	.250	.250				.250	.250		
TERMINAL THICKNESS	.032	.032				.032	.032		

NOTES:  
 1. DIMENSIONS FOR REFERENCE ONLY.  
 2. WINDING PROTECTION—4.0 AMP CIRCUIT BREAKER IN SECONDARY NON-NHERENTLY LIMITED

CERTIFICATION: UL/CUL FILE NO E87824

D  
C  
B  
A



TYCO PART NUMBER  
4-1611468-3

THIS DRAWING IS A CONTROLLED DOCUMENT.		DWN K.H.	02FEB04	<p>Tyco Electronics Corporation Harrisburg, PA 17105-3608</p>											
DIMENSIONS: INCHES		CHK DH	02FEB04												
TOLERANCES UNLESS OTHERWISE SPECIFIED:		APVD HT	02FEB04												
<table border="1"> <tr><td>0 PLC</td><td>± -</td></tr> <tr><td>1 PLC</td><td>± -</td></tr> <tr><td>2 PLC</td><td>± .01</td></tr> <tr><td>3 PLC</td><td>± .005</td></tr> <tr><td>4 PLC</td><td>± -</td></tr> <tr><td>ANGLES</td><td>± -</td></tr> </table>		0 PLC	± -		1 PLC	± -	2 PLC	± .01	3 PLC	± .005	4 PLC	± -	ANGLES	± -	PRODUCT SPEC
0 PLC	± -														
1 PLC	± -														
2 PLC	± .01														
3 PLC	± .005														
4 PLC	± -														
ANGLES	± -														
MATERIAL	FINISH	APPLICATION SPEC	RESTRICTED TO												
		WEIGHT	SIZE	CAGE CODE	DRAWING NO	RESTRICTED TO									
		CUSTOMER DRAWING	A3	00779	C=4000-04J15AE999										
		SCALE	1:1	SHEET	1 OF 1	REV									
						B									