

MSD INC.

ENGINEERING DATA SHEET

RELAY TYPE: FCB-205-0224M

COMPUTER PART No.: 9347522

TEST PROCEDURE

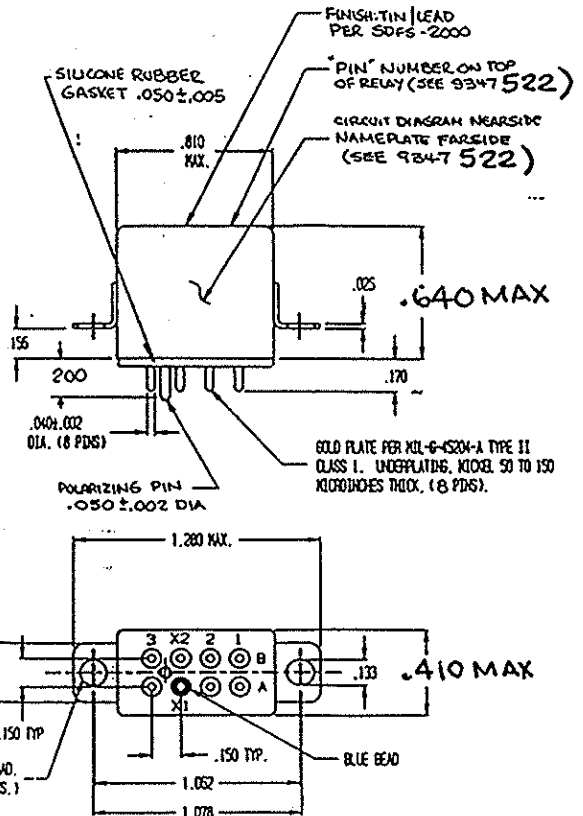
MSDP-790

CUSTOMER/SPECIFICATION: M83536/2-024M

REV NONE

TEST REQUIREMENTS

COIL RES.: $\pm 10\%$ 500 OHMS OPERATE TIME: 5 mS MAX RELEASE TIME: 5 mS MAX
 CONTACT MAKE BOUNCE: 1 mS MAX N.O. BREAK BOUNCE: 0.1 mS MAX
 CONTACT STABILIZATION TIME: 2.5 mS MAX RATED COIL VOLTAGE: 28 Vdc
 CONTACT RES.: MFG TEST: .040 OHMS @ 10mA - 6Vdc FINAL TEST: .050 OHMS @ 10mA - 6Vdc
 CONTACT VOLTAGE DROP: FINAL TEST: .100 V MAX @ 5A - 6Vdc
 HI-POT: 1000 Vrms ALL POINTS
 INSULATION RESISTANCE: 100 MEGOHMS MIN. @ 500 Vdc
 VIBRATION: MIL-STD-202, METHOD 204 (30G's/100 - 3000Hz)
 SEAL TEST: 1×10^{-8} MAX LEAK RATE COIL TRANSIENT SUPPRESSION: 42 Vdc MAX
 OTHER: _____



| | | | |
|-------------------|---------|----------------------------|--|
| Prepared By: Date | | Approved By: Date | |
| LES WYNNE 3-20-96 | | <i>[Signature]</i> 3-21-96 | |
| Rev | ECN No. | Date | |
| B | 97-405 | 11-12-97 | |

SPECIAL INSTRUCTIONS