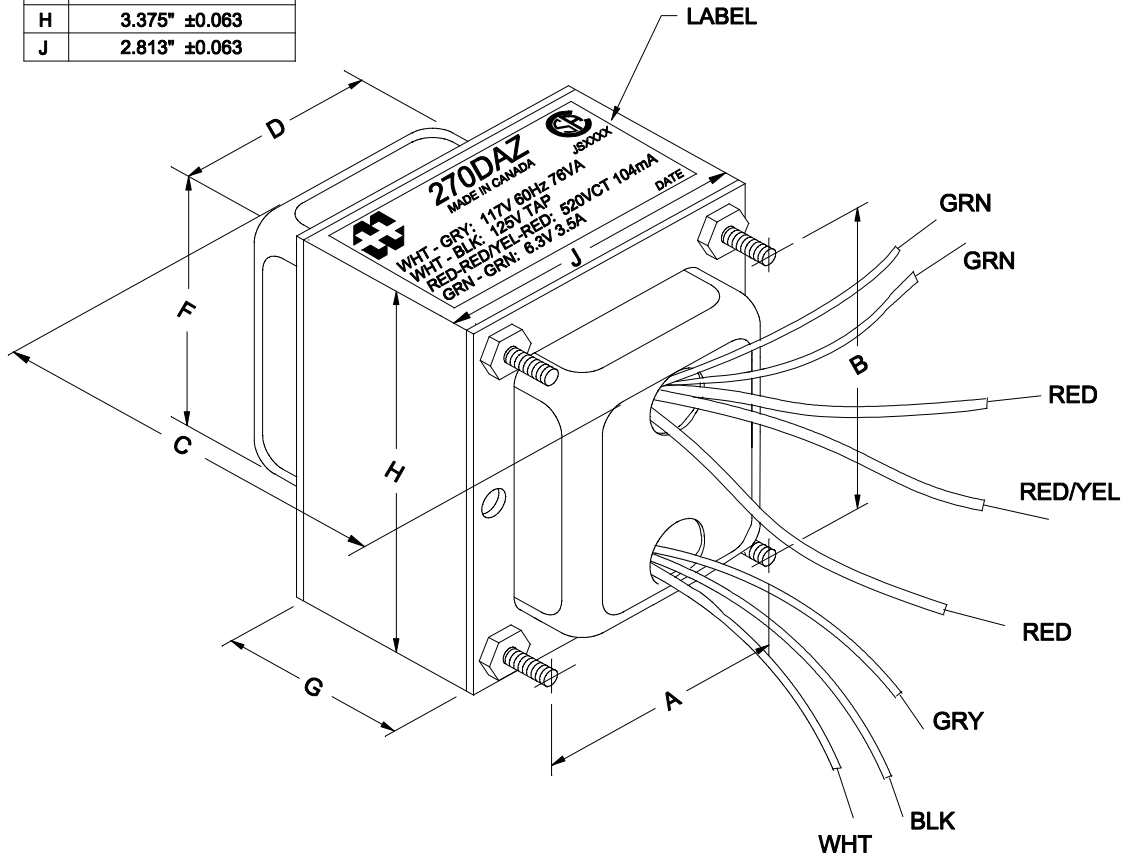
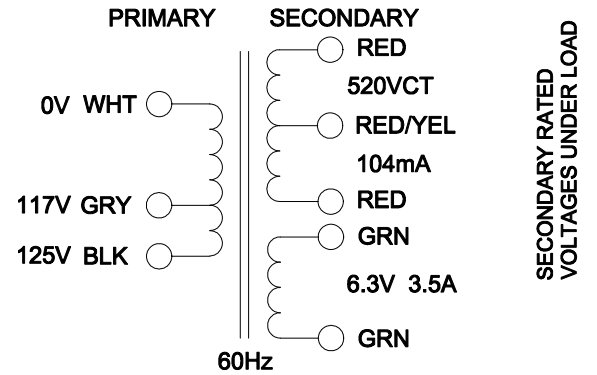


**DIMENSIONS:**

A	2.250" ±0.063
B	2.813" ±0.063
C	3.500" ±0.125
D	1.873" ±0.063
F	2.435" ±0.063
G	1.235" ±0.063
H	3.375" ±0.063
J	2.813" ±0.063



NOTE: ALL LEADS 6" OUT MIN. STRIPPED 0.5"



ELECTRICAL DATA:		
TESTS	CONDITIONS	ACCEPTANCE CRITERIA
I <sub>ex</sub>	@ 125V, 60Hz, WHT - BLK	122.4mA Max.
Sec. N.L.V	@ 125V, 60Hz, WHT - BLK	
	RED - RED =	550.0V ±2%
	RED - RED/YEL = RED/YEL - RED =	275.0V ±2%
	GRN - GRN =	6.701V ±2%
DCR	@ 20°C, WHT - BLK =	4.524 Ω ±20%
	@ 20°C, RED - RED =	153.1 Ω ±20%
	@ 20°C, GRN - GRN =	0.063 Ω ±20%
HIPOT	PRIMARY - SECONDARY	2000V, 60Hz, 1 SEC

REV.#	REVISION	DATE	HAMMOND MANUFACTURING™		ELECTRONIC DIVISION	
0	RELEASED.	C.I. 11/08/12	52 RANKIN PLACE, WATERLOO, ONTARIO, N2J 3Z5		PH # (519) 886-6181 FAX # (519) 886-9540	
			DWG. BY: C. ILIE	CHK'D BY:	TITLE: POWER TRANSFORMER	DWG. NO. 270DAZ
			DATE: 11/08/12	APP'D. BY:		
				DIMENSIONS: IN(X) MM( )		