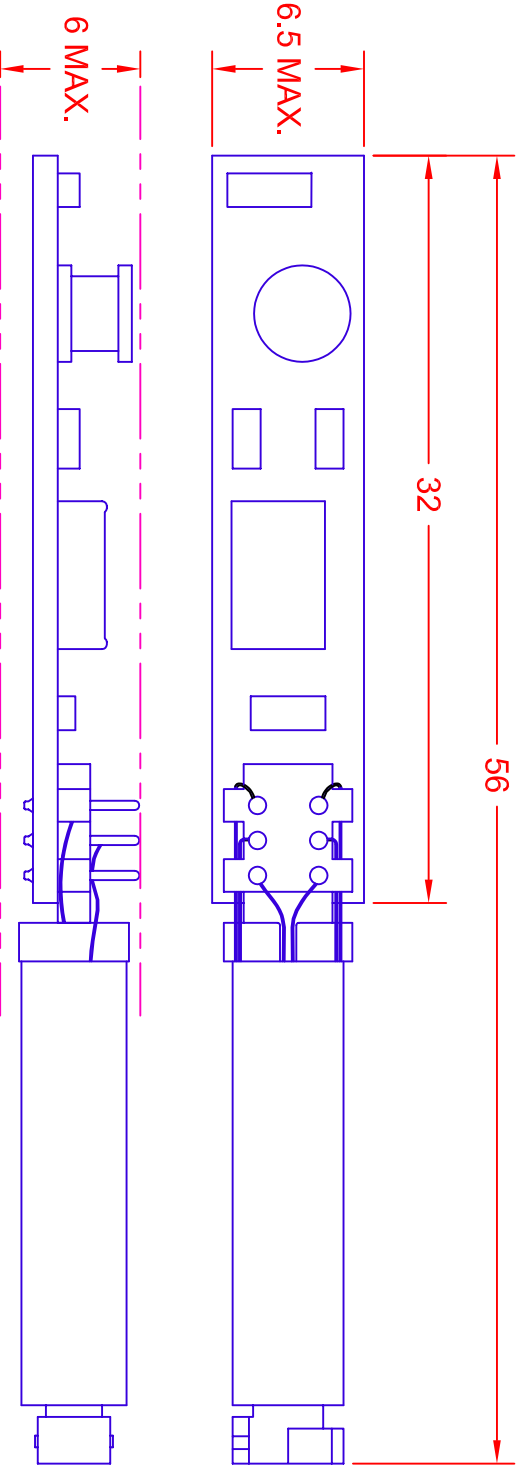
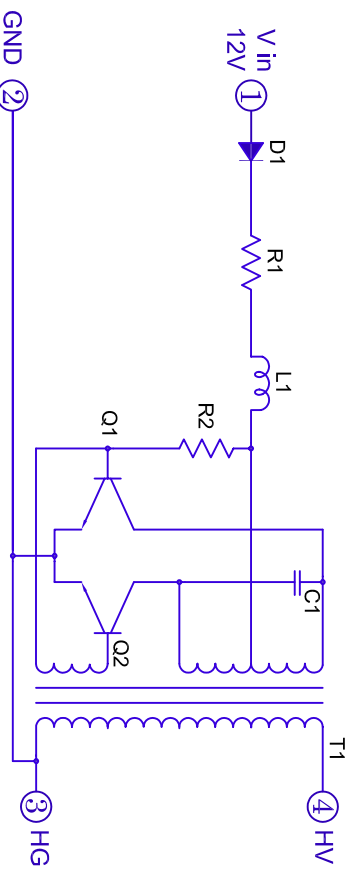
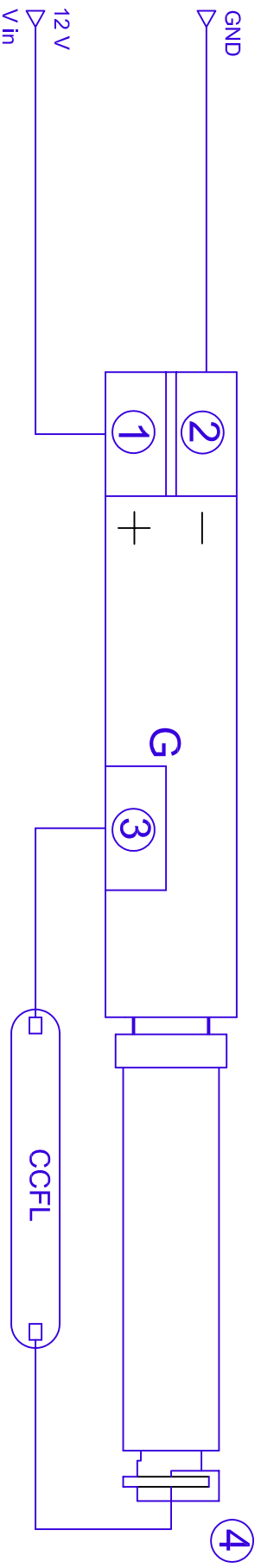


REV.	DESCRIPTION/ECO NO.	DATE
A	RELEASED AS CAD DRW.	7/11/03
B	OPER. SPEC. CORRECTION	9/24/03
	ADD RoHS NOTE	3/16/07



BOARD PIN #	INPUT
1	+V (V in)
2	V (GND)
3	OUT GND
4	V OUT



OPERATING SPECIFICATIONS

CHARACTERISTICS	MIN	TYP	MAX
INPUT VOLTAGE: (Vdc)	10.0	12.0	15.0
INPUT CURRENT: (mA)	130	150	170
OUTPUT VOLTAGE: (Vrms)	700	800	900
OUTPUT CURRENT (mA)	3.0	4.0	5.0
OUTPUT FREQUENCY: (KHz)	85	105	125
OPERATING TEMP: (CELSIUS)	0	25	50

METRIC		DIMENSIONS ARE IN MILLIMETERS		TITLE	
	THIRD ANGLE PROJECTION	TOLERANCE UNLESS OTHERWISE SPECIFIED	1 PL +/- 0.2	JKL COMPONENTS CORPORATION	
		2 PL +/-	0	12V CCFL INVERTER	
DRAWN BY	L. WENGSTROM	APPR/D BY	J.K.	SIZE	A
		DATE	3/16/07	FSCM NO.	55335
				DRAWING NO.	BXA-12576
- CAD DRAWING -		SCALE	NONE	RELEASED DATE	7/11/03
MANUAL REVISIONS NOT PERMITTED				REVISION DATE	3/16/07
		REV. NO.	B	SHEET	OF

*JKL PART NO.: BXA-12576
*ROHS COMPLIANT