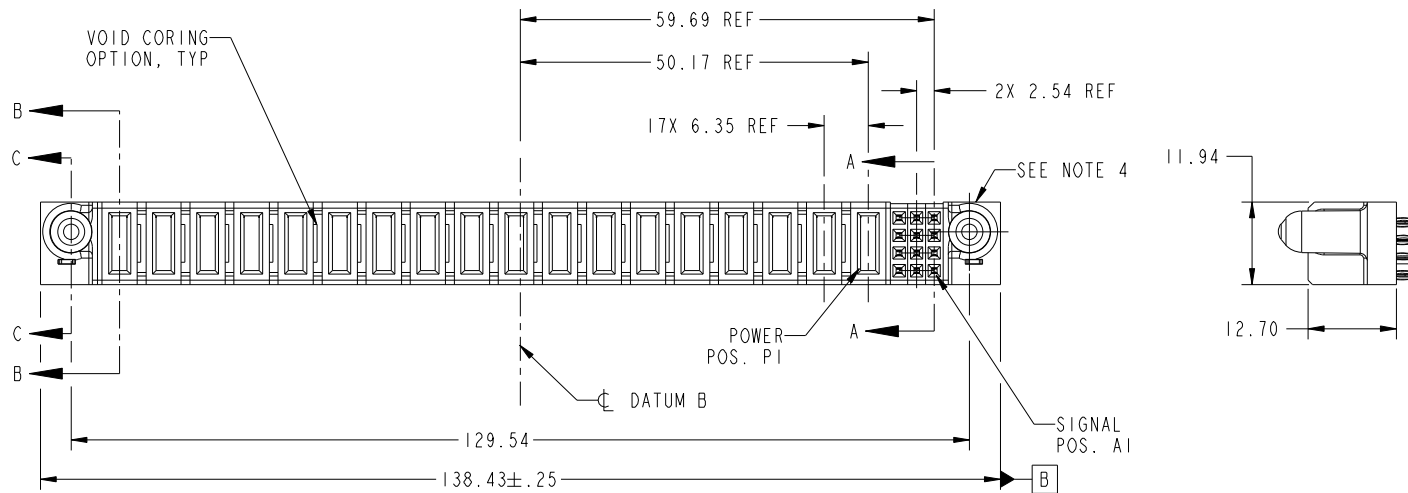


Tous droits strictement réservés. Reproduction ou communication a des tiers interdite sous quelque forme que ce soit sans autorisation écrite du propriétaire. Propriété de c FCI. Droits de reproduction FCI.



All rights strictly reserved. Reproduction or issue to third parties in any form whatever is not permitted without written authority from the proprietor. Property of FCI. Copyright FCI.

| | | | | | | | | | | | | | | | | | | | | | | |
|------------------------|------------------|-------|-----|-----|-----|-----|-----|-----|-----|-----|-----|----|----|----|----|----|----|----|----|--------|----|----|
| PRODUCT NO. | ROWS | POWER | | | | | | | | | | | | | | | | | | SIGNAL | | |
| | | E2 | P18 | P17 | P16 | P15 | P14 | P13 | P12 | P11 | P10 | P9 | P8 | P7 | P6 | P5 | P4 | P3 | P2 | P1 | 3 | 2 |
| 51751-017-- NOTE: 3 | D C B A | HA | PC | PF | PF | PF | PF | PC | PF | PF | PC | PC | PC | PF | PF | PF | PF | PC | PC | PC | PC | HA |



| CODE | DIM "M" MATING LENGTH | CONTACT TYPE |
|------|-----------------------|--------------|
| F | [N/A] | SIGNAL |
| HA | [N/A] | HOLD-DOWN |
| PC | [1.07] | POWER |
| PF | [2.34] | POWER |

| | | | | | | | | | | | |
|-------------|----------------|----|----------|-----------|----------------------|---------------------------------------|--|----------------|--|--------------------|--|
| mat'l code | | | | SEE NOTES | | tolerances unless otherwise specified | | CUSTOMER | | FCI | |
| ltr | ecn no. | dr | date | linear | 0.X ± 0.3 | projection | | COPY | | www.fciconnect.com | |
| A | DG07-0221 | JC | 05/29/07 | angles | 0.XX ± 0.13 | MIM | | title | | 12S + 18P | |
| | | | | dr | 0.XXX ± 0.051 | scale | | product family | | PwrBlade | |
| | | | | enr | 0° ± 2° | 1:1 | | size | | code | |
| | | | | chr | Jerome Chen 05/29/07 | | | dwg no | | 213 | |
| | | | | appd | Jerome Chen 05/29/07 | | | A | | 1 of 4 | |
| | | | | | Gary Hsieh 05/29/07 | | | 51751-017 | | | |
| | | | | | Joseph Hsia 05/29/07 | | | | | | |
| sheet index | revision sheet | A | A | A | A | | | cage code | | 22526 | |
| 1 | 2 | 3 | 4 | | | | | | | | |

Pro/E

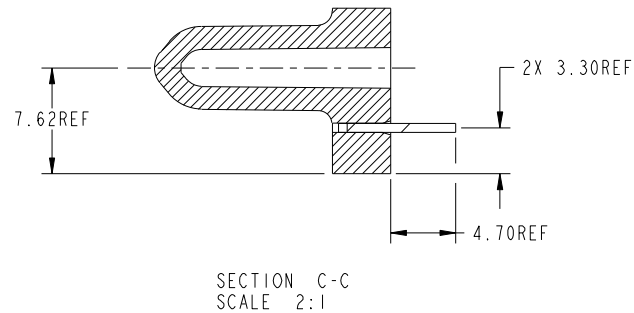
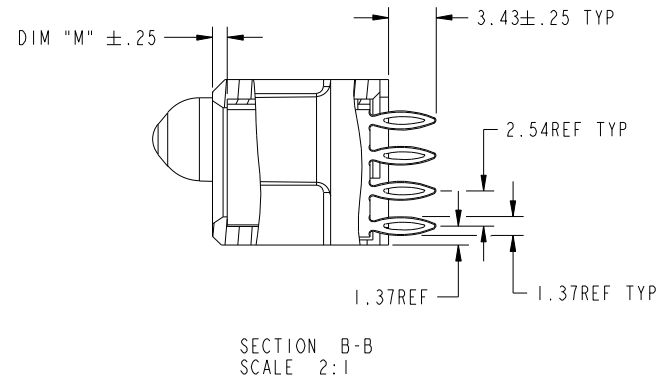
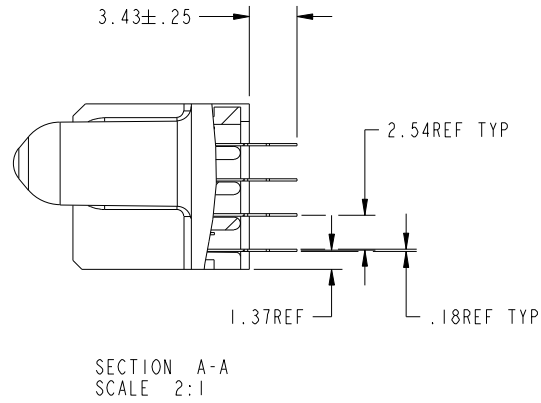
cage code 22526

Tous droits strictement reserves. Reproduction ou communication a des tiers interdite sous quelque forme que ce soit sans autorisation écrite du propriétaire. Propriete de c FCI. Droits de reproduction FCI.

All rights strictly reserved. Reproduction or issue to third parties in any form whatever is not permitted without written authority from the proprietor. Property of FCI. Copyright FCI.



PRODUCT NUMBER
51751-017_
NOTE: 3



| | | | | | | | | | |
|-------------|----------------|----|------|---------------------------------------|----------------------|------------|--|---------------------------------------|--|
| mat'l code | | | | tolerances unless otherwise specified | | CUSTOMER | | FCI | |
| ltr | ecn no. | dr | date | linear | 0.X ± 0.3 | COPY | | www.fciconnect.com | |
| A | | | | | 0.XX ± 0.13 | projection | | title | |
| | | | | angles | 0.XXX ± 0.051 | | | 12S + 18P VERTICAL PRESSFIT RECEPT | |
| | | | | dr | 0° ± 2° | | | product family PwrBlade code | |
| | | | | enr | Jerome Chen 05/29/07 | scale | | size | |
| | | | | chr | Jerome Chen 05/29/07 | 1:1 | | dwg no | |
| | | | | appd | Gary Hsieh 05/29/07 | | | A 51751-017 | |
| | | | | | Joseph Hsia 05/29/07 | | | sheet | |
| sheet index | revision sheet | | | | | | | 2 of 4 | |

cage code 22526

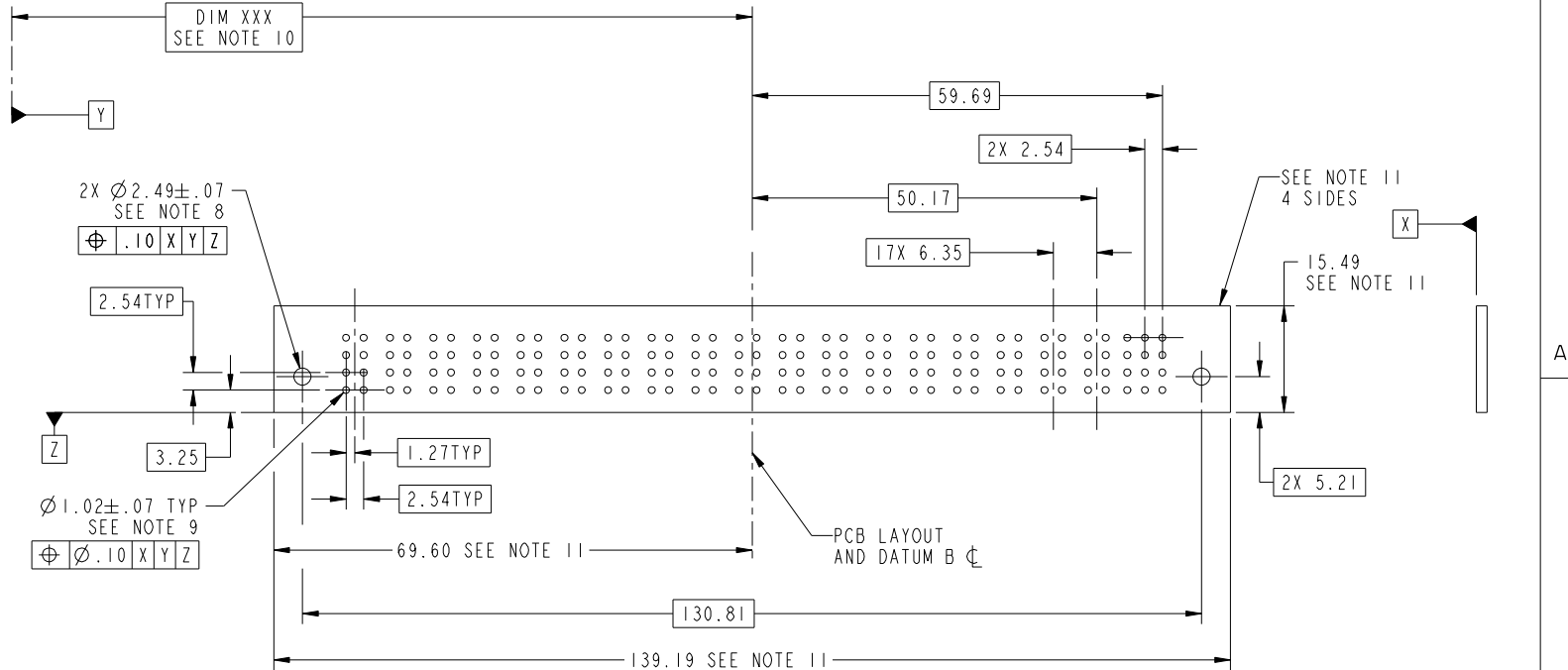
Pro/E

Tous droits strictement reserves. Reproduction ou communication a des tiers interdite sous quelque forme que ce soit sans autorisation écrite du propriétaire. Propriete de c FCI. Droits de reproduction FCI.



All rights strictly reserved. Reproduction or issue to third parties in any form whatever is not permitted without written authority from the proprietor. Property of FCI. Copyright FCI.

PRODUCT NUMBER
51751-017_
NOTE: 3



| | | | | | | | | | |
|-------------|----------------|----|------|---------------------------------------|----------------------|----------------|--|--------------------------|-------|
| mat'l code | | | | tolerances unless otherwise specified | | CUSTOMER | | | |
| ltr | ecn no. | dr | date | linear | 0.X ± 0.3 | COPY | | www.fciconnect.com | |
| A | | | | | 0.XX ± 0.13 | projection | | title | |
| | | | | angles | 0.XXX ± 0.051 | | | 12S + 18P | |
| | | | | dr | 0° ± 2° | MIM | | VERTICAL PRESSFIT RECEPT | |
| | | | | enr | Jerome Chen 05/29/07 | product family | | PwrBlade | code |
| | | | | chr | Jerome Chen 05/29/07 | size | | dwg no | 213 |
| | | | | appd | Gary Hsieh 05/29/07 | scale | | 51751-017 | sheet |
| | | | | | Joseph Hsia 05/29/07 | 1:1 | | 3 of 4 | |
| sheet index | revision sheet | | | | | | | | |

cage code 22526

Pro/E

Tous droits strictement reserves. Reproduction ou communication a des tiers interdite sous quelque forme que ce soit sans autorisation écrite du propriétaire. Propriete de c FCI. Droits de reproduction FCI.



All rights strictly reserved. Reproduction or issue to third parties in any form whatever is not permitted without written authority from the proprietor. Property of FCI. Copyright FCI.

PRODUCT NUMBER
51751-017_
NOTE: 3

NOTES:

1. DIMENSIONS AND TOLERANCES ARE IN ACCORDANCE WITH ASME Y14.5M, 1994 UNLESS OTHERWISE SPECIFIED.

CONNECTOR NOTES:

- ② HOUSING MATERIAL: UL 94 V-0 GLASS FILLED HIGH-TEMP THERMOPLASTIC
POWER CONTACT MATERIAL: COPPER ALLOY
SIGNAL PIN MATERIAL: COPPER ALLOY
- 3. PLATING SPEC.
51751-017, 51751-017LF PLATING SPEC. WAS SHOWN IN THE PRINT OF 10064183.
- ④ MANUFACTURER'S NAME, P/N, AND DATE CODE TO APPEAR ON THIS SURFACE.
- 5. PRODUCT SPECIFICATION GS-12-149.
APPLICATION SPECIFICATION BUS-20-067.
- 6. PACKAGED IN TRAYS.

PCB NOTES:

- 7. ALL HOLE DIAMETERS ARE FINISHED HOLE SIZE.
- ⑧ MOUNTING HOLES, WHERE APPLICABLE, ARE UNPLATED.
- ⑨ $\varnothing 1.151 \pm 0.025$ DRILLED HOLES PLATED WITH
0.008 MIN SnPb OR Sn OVER 0.03
TO 0.08 Cu PLATING TO ACHIEVE
 $\varnothing 1.02 \pm .07$ HOLE.
- ⑩ "DIM XXX" TO BE DETERMINED BY THE CUSTOMER.
- ⑪ CONNECTOR KEEP-OUT ZONE.

| | | | | | | | | | |
|-------------|----------------|----|------|---------------------------------------|----------------------|------------|--|------------------------------------|--|
| mat'l code | | | | tolerances unless otherwise specified | | CUSTOMER | | FCI | |
| ltr | ecn no. | dr | date | linear | 0.X ± 0.3 | COPY | | www.fciconnect.com | |
| A | | | | | 0.XX ± 0.13 | projection | | title 12S + 18P | |
| | | | | angles | 0.XXX ± 0.051 | | | VERTICAL PRESSFIT RECEPT | |
| | | | | | 0° ± 2° | | | product family PwrBlade code 213 | |
| | | | | dr | Jerome Chen 05/29/07 | scale | | size dwg no 51751-017 sheet 4 of 4 | |
| | | | | enrg | Jerome Chen 05/29/07 | 1:1 | | A | |
| | | | | chr | Gary Hsieh 05/29/07 | | | | |
| | | | | appd | Joseph Hsia 05/29/07 | | | | |
| sheet index | revision sheet | | | | | | | | |

cage code 22526

Pro/E