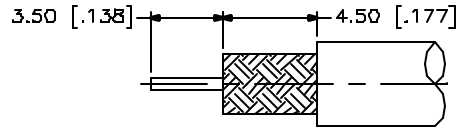
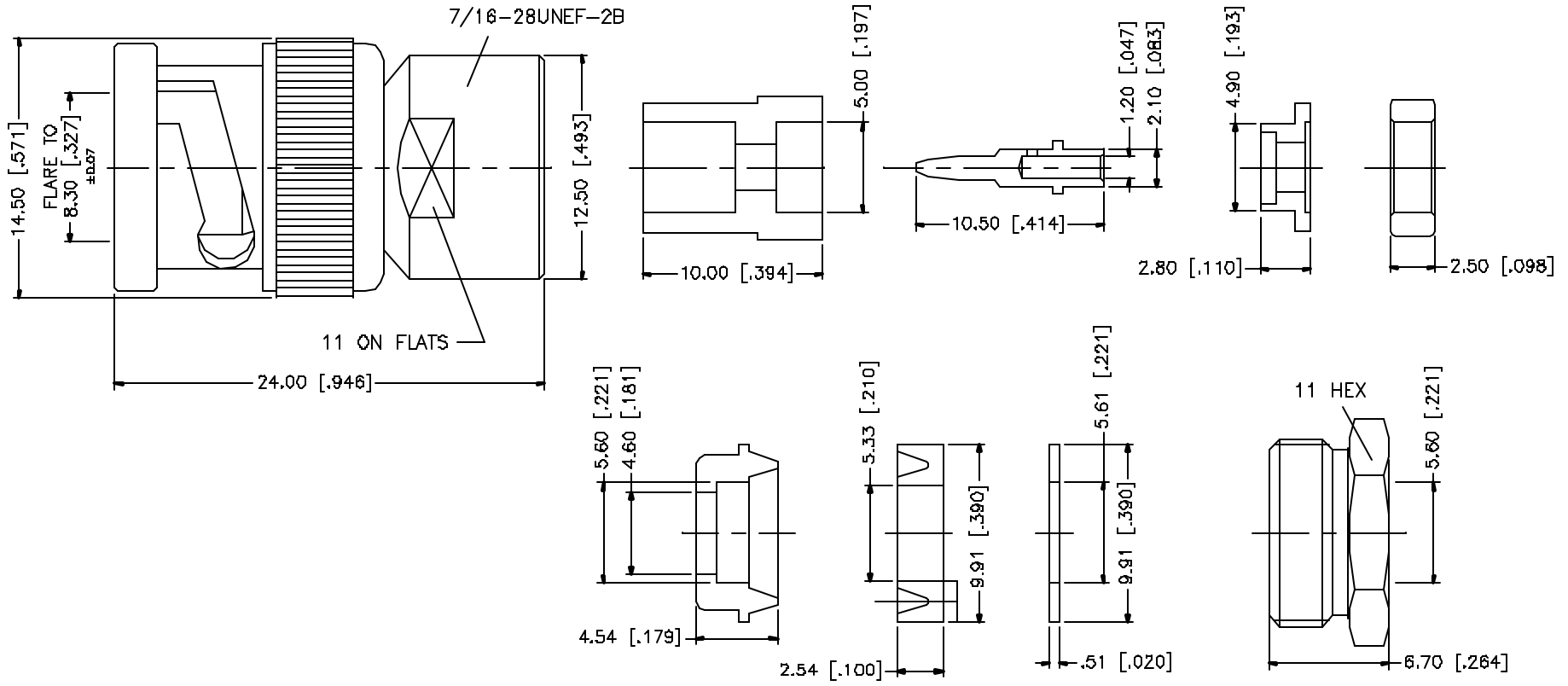


REV.	DATE	DESCRIPTION
A	02/09/05	MODIFY INTERNAL DIMENSIONS / UPDATE DRAWING FORMAT



RECOMMENDED  
CABLE STRIPPING DIM'S



9	HEX NUT	BRASS	NICKEL	1
8	WASHER	BRASS	NICKEL	1
7	GASKET	SILICONE	RED	1
6	BRAID CLAMP	BRASS	NICKEL	1
5	RING	BRASS	NICKEL	1
4	INSULATOR	DELFIN	NATURAL	1
3	CONTACT PIN	BRASS	GOLD	1
2	INSULATOR	DELFIN	NATURAL	1
1	BODY	BRASS	NICKEL	1
	DESCRIPTION	MATERIAL	FINISH	QTY

UNLESS OTHERWISE SPECIFIED DIMENSIONS ARE IN MILLIMETERS DIMENSIONS IN [ ] ARE IN INCHES AND FOR CUSTOMER REFERENCE ONLY.

UNLESS OTHERWISE SPECIFIED TOLERANCES FOR MILLIMETERS ARE:  
0.5 - 8mm ± 0.20mm  
8 - 30mm ± 0.40mm  
30 - 120mm ± 0.50mm

UNLESS OTHERWISE SPECIFIED TOLERANCES FOR INCHES ARE:  
.020 - .315 = ± 0.007"  
.315 - 1.180 = ± 0.015"  
1.180 - 4.724 = ± 0.020"

DO NOT SCALE DRAWING

APPROVALS	DATE
DRAWN G.R.S.	02/09/05
CHECKED	
ISSUED	
SHEET 1 OF 1	
CAD FILE C:/112/112332.DWG	

**Amphenol Connex**

PART DESCRIPTION  
**BNC CLAMP PLUG**  
(FOR RG-58/U, 142A/U, 223/U)

PART NO.  
**112332**

DWG. NO. 112332.DWG	REV. A	SIZE A	SCALE NA
---------------------	--------	--------	----------