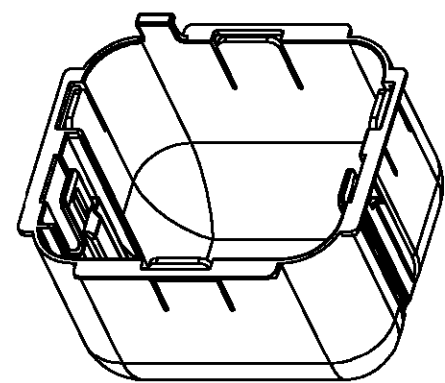
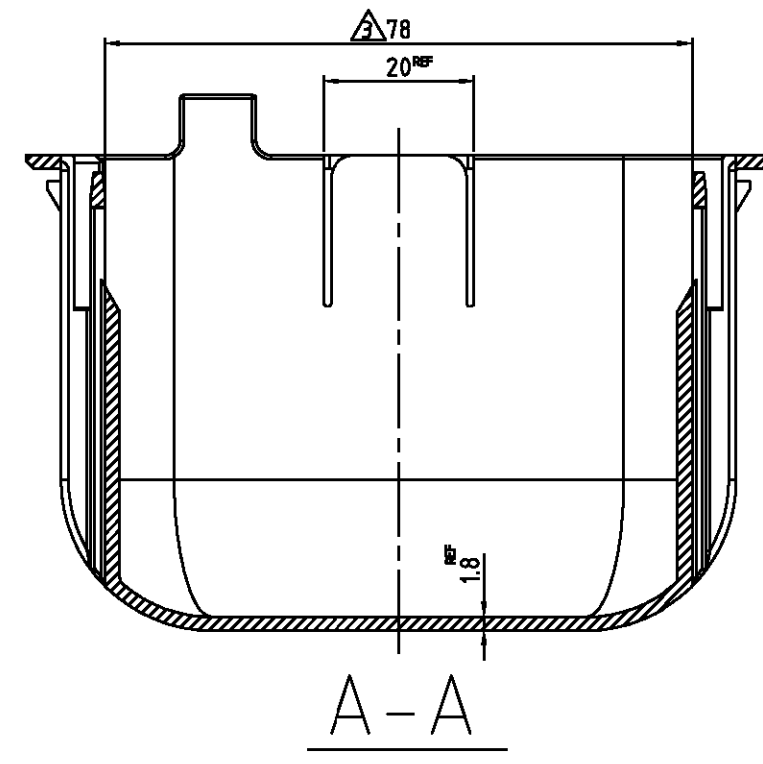
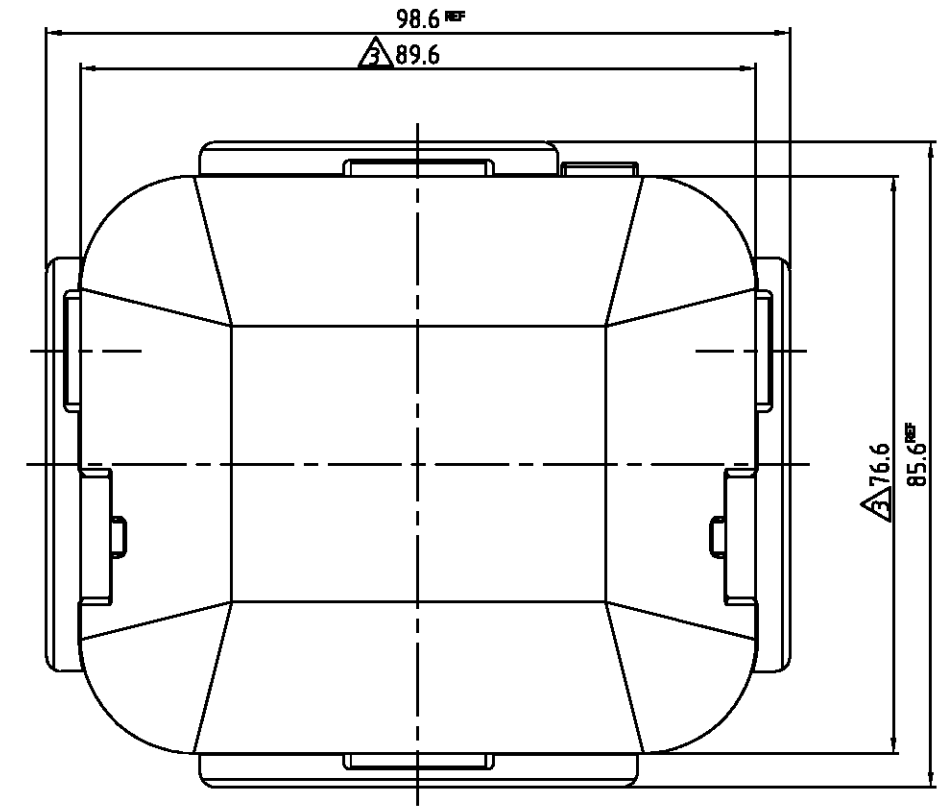
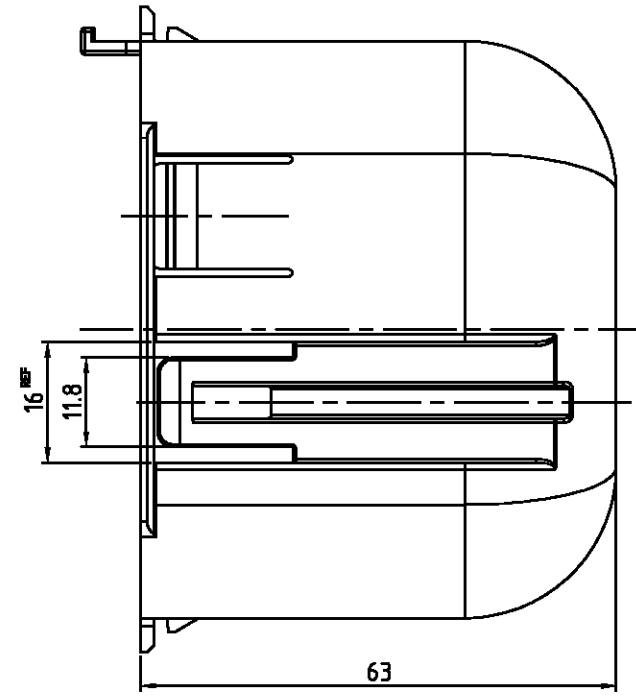
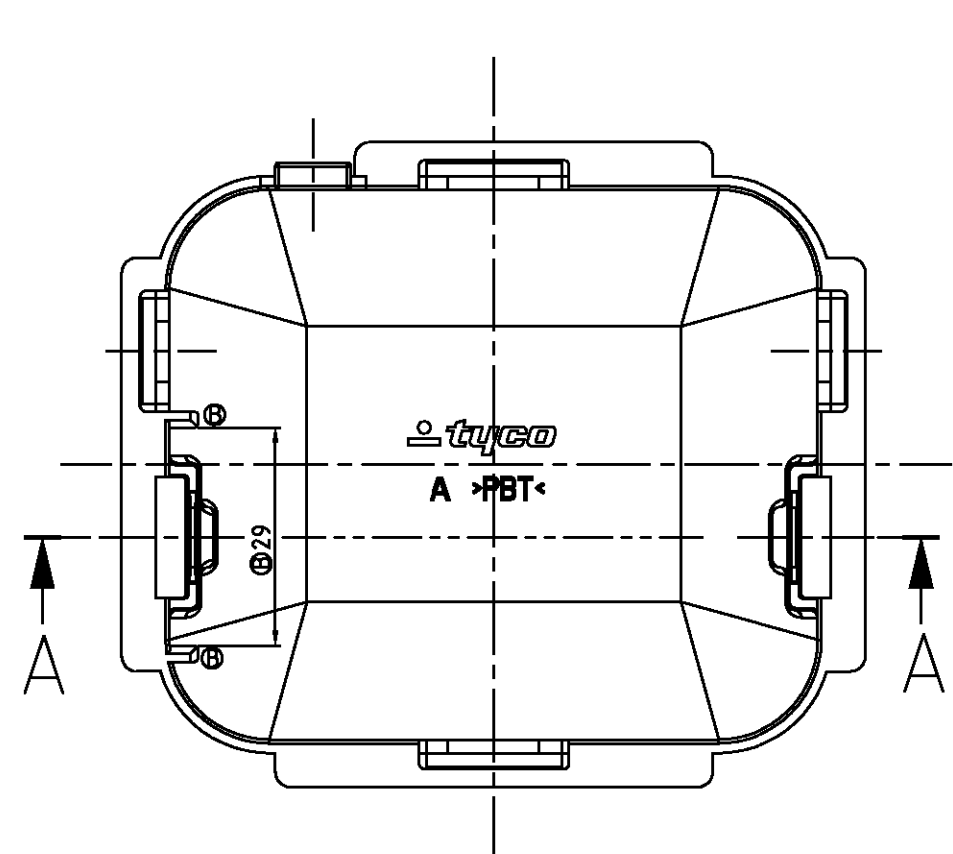


LOC	DIST	REVISIONS					
		P	LTR	DESCRIPTION	DATE	DWN	APVD
DS			A	RELEASED	08/DEC/05	YH	JK
			B	REVISED (ECR-06-021016)	16/AUG/06	YH	JK



SCALE 1:2

- NOTE.
1. GENERAL TOLERANCE IS ± 0.3 , $\pm 3^\circ$
 2. MATING PLUG ASS'Y P/N : 1743251
- Δ WARPAGE IS PERMITTED MAX 1.0mm

1743411-2	PBT	BLACK
P/N	MATERIAL	COLOR

<small>THIS DRAWING IS A CONTROLLED DOCUMENT FOR TYCO ELECTRONICS CORPORATION. IT IS SUBJECT TO CHANGE AND THE CONTROLLING ENGINEERING ORGANIZATION SHOULD BE CONTACTED FOR THE LATEST REVISION.</small>		DWN :YH MA				AMP KOREA.	
DIMENSIONS: mm		CHK :YH CHOI				kyungsan, korea	
TOLERANCES UNLESS OTHERWISE SPECIFIED:		APVD :JK SONG		NAME		1.5/2.8mm HYBRID 92P BOX COVER HSG	
SEE NOTE		PRODUCT SPEC		SIZE		RESTRICTED TO	
3rd ANGLE PROJECTION		APPLICATION SPEC		CAGE CODE		DRAWING NO	
MATERIAL		WEIGHT		A3		00779 C= 1743411	
FINISH		CUSTOMER DRAWING		SCALE 1/1		SHEET 1 OF 1	
						REV B	