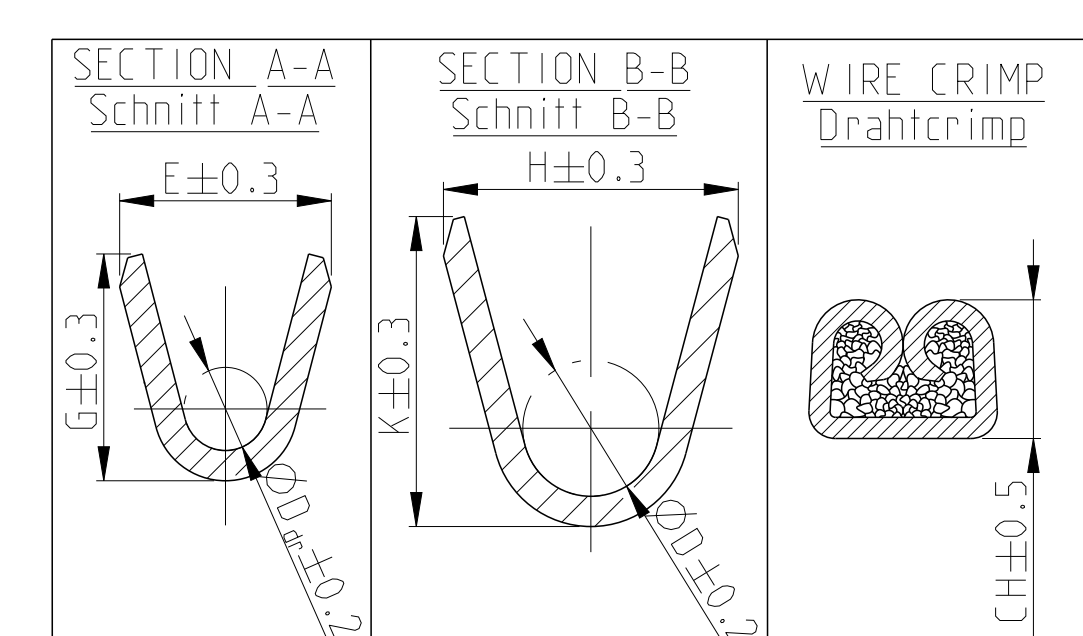
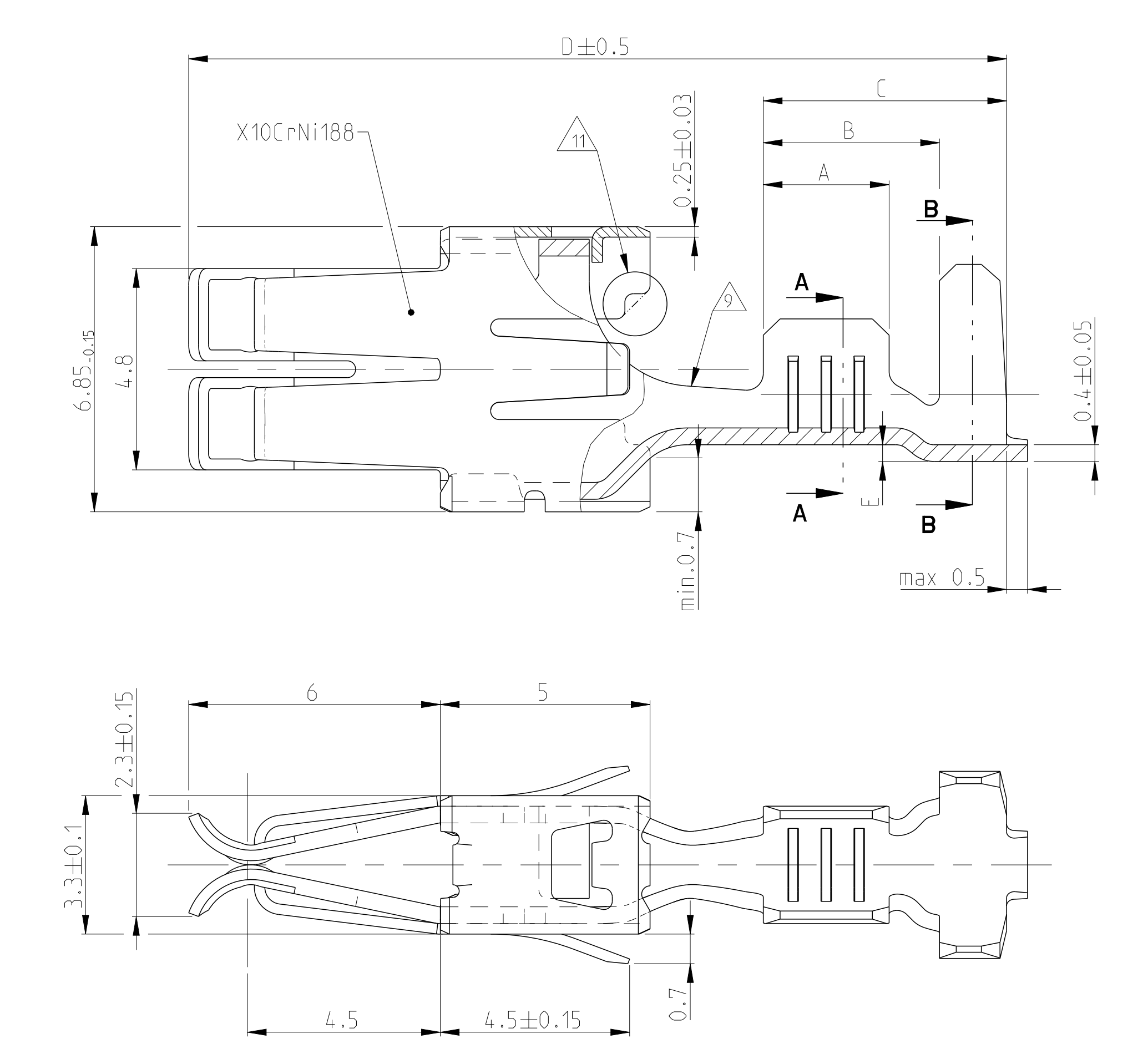


REV	DATE	DESCRIPTION	BY	CHK	APPV
B3	SEE ECR 12-016501		MSB2012	JS	RS
B4	ECR-14-010155		MAJ2014	S.K	J.P
B5	ECR-15-012070		MAJ2015	J.B.H	B.K
B6	ECR-15-017291		ODD2015	J.B.H	J.P



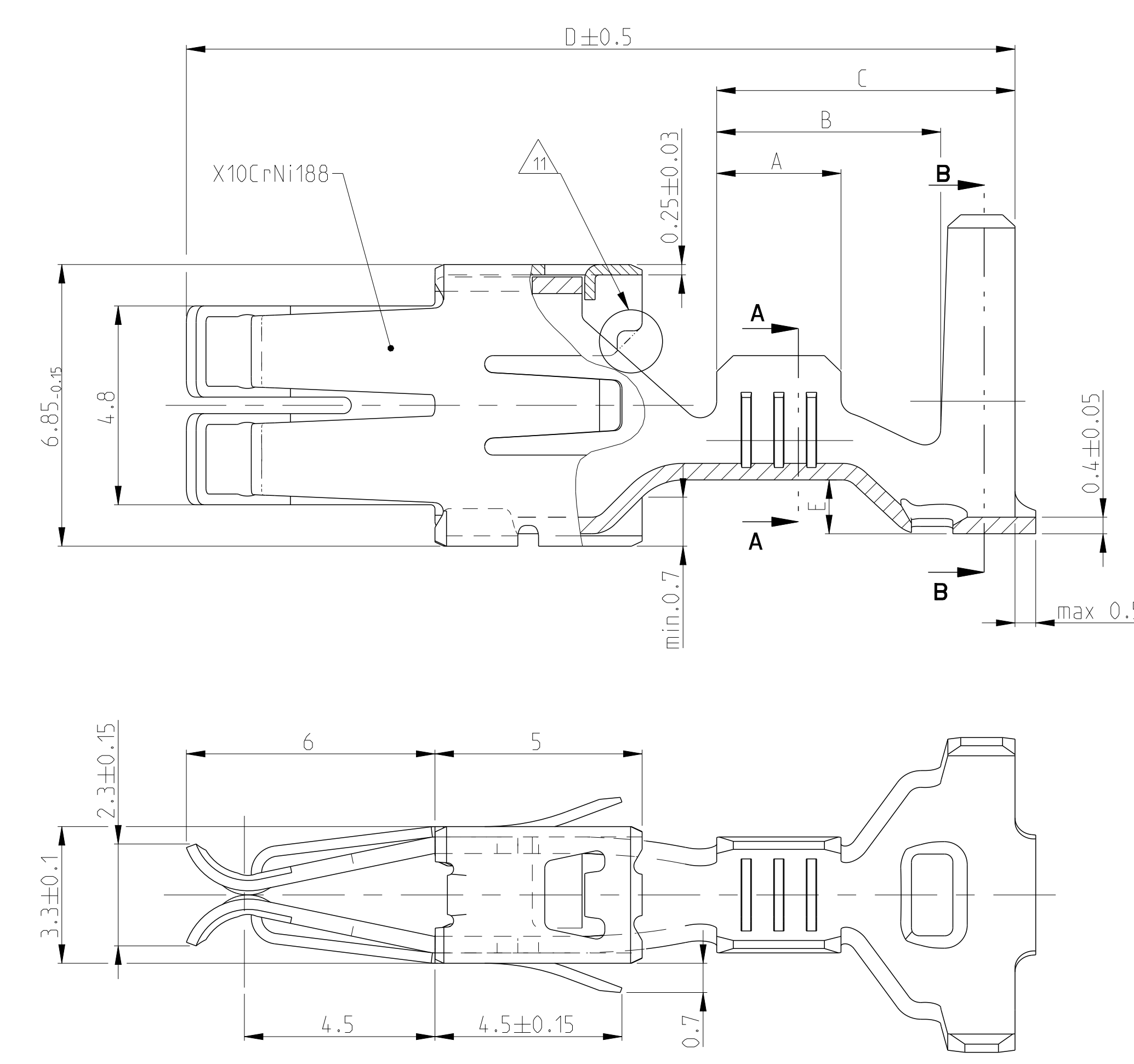
PN	REV	MATERIAL	SURFACE	PREP	CRIMP DIMENSIONS (mm)	EXTRACTION TOOL	HAND TOOL	TE CONNECTIVITY ORDER - NO.	DEAD END PLUG				
927839-5	C	CuFe2	vorversilbert PRESILVERED	0.2 - 0.5 FLK	E = 2.2 G = 2.2 D = 0.8 H = 3.7 K = 3.8 0.20mm² = 1.13 0.25mm² = 1.15 0.35mm² = 1.19 0.50mm² = 1.26	MQC - Applicator 878426-2	539635-1 WITH DIE: mit Matrize 539744-2	2.5	3.8	6.6	19.5	0.3	
927827-2	C	CuSn4	vorverzinkt PRETINNED	0.5 - 1.0 FLK	E = 2.8 G = 4.1 D = 1.1 H = 4.5 K = 4.7 D = 2.4 0.5mm² = 1.38 0.75mm² = 1.47 1.0mm² = 1.56	MQC - Applicator 2-541689-2	539733-2 WITH DIE: mit Matrize 734249-0	3	4.2	5.8	19.5	0.4	
927833-5	D	CuFe2	vorverzinkt PRETINNED	>1.0 - 2.5 FLK	E = 3.8 G = 4.1 D = 1.6 H = 5.7 K = 5.8 D = 3.6 1.5mm² = 1.76 2.0mm² = 1.90 2.5mm² = 2.04	MQC - Applicator 878367-2	539635-1 WITH DIE: mit Matrize 539733-2	3.5	4.7	6.3	19.5	0.4	
927824-2	C	CuSn4	vorverzinkt PRETINNED	>2.5 - 4.0 FLK	E = 4.6 G = 4.8 D = 2.4 H = 6.3 K = 6.2 D = 4.0 3.0mm² = 2.13 4.0mm² = 2.35	MQC - Applicator 2-878314-2	539635-1 WITH DIE: mit Matrize 539733-2	4	5.2	6.8	19.5	0.6	
963709-5	C	CuFe2	vorversilbert PRESILVERED	4.0 - 6.0 FLK	E = 5.2 G = 5.5 D = 2.9 H = 7.3 K = 7.6 D = 4.5 4.0mm² = 2.17 5.0mm² = 2.36 6.0mm² = 2.55	MQC - Applicator 2-878738-2	-	4.2	5.6	7.7	20	0.6	
1241818-6	B	CuNiSi	vorverzinkt PRETINNED	0.2 - 0.5 FLR	E = 2.2 G = 2.2 D = 0.8 H = 2.8 K = 2.8 0.2mm² = 1.13 0.35mm² = 1.19 0.5mm² = 1.26	MQC - Applicator 878427-2	-	2.5	3.8	6.4	19.5	0.3	
927831-5	C	CuFe2	vorversilbert PRESILVERED	0.5 - 1.0 FLR	E = 2.8 G = 3.0 D = 1.1 H = 3.9 K = 4.1 D = 1.8 0.5mm² = 1.43 0.75mm² = 1.52 1.0mm² = 1.61	MQC - Applicator 878328-2	169400-0 WITH DIE: mit Matrize 734781-1	3	4.2	5.8	19.5	0.4	
927837-5	D	CuFe2	vorversilbert PRESILVERED	>1.0 - 2.5 FLR	E = 3.8 G = 4.1 D = 1.6 H = 4.8 K = 4.9 D = 2.6 1.25mm² = 1.69 1.5mm² = 1.76 2.0mm² = 1.90 2.5mm² = 2.04	MQC - Applicator 878356-2	169400-0 WITH DIE: mit Matrize 734251-0	3.5	4.7	6.3	19.5	0.4	
927829-5	D	CuSn4	vorverzinkt PRETINNED	>2.5 - 4.0 FLR	E = 4.6 G = 4.8 D = 2.4 H = 5.5 K = 5.7 D = 3.3 3.0mm² = 2.13 3.5mm² = 2.24 4.0mm² = 2.35	MQC - Applicator 2-878384-2	169400-0 WITH DIE: mit Matrize 734251-0	4	5.2	6.8	19.5	0.6	

VERSION A (UNSEALED / ungedichtet)



PN	REV	MATERIAL	SURFACE	PREP	CRIMP DIMENSIONS (mm)	EXTRACTION TOOL	HAND TOOL	TE CONNECTIVITY ORDER - NO.	DEAD END PLUG					
927836-2	C	CuSn4	vorverzinkt PRETINNED	0.5 - 1.0 FLR	E = 2.8 G = 3.0 D = 1.1 H = 7.6 K = 7.7 D = 5.6 0.5mm² = 1.43 0.75mm² = 1.52 1.0mm² = 1.61	MQC - Applicator 878337-2	539635-1 WITH DIE: mit Matrize 739736-2	3	5.4	7.2	20	1.25	963243-1 963244-1	100132-1
927835-2	C	CuSn4	vorverzinkt PRETINNED	>1.0 - 2.5 FLR	E = 3.8 G = 4.1 D = 1.6 H = 7.6 K = 7.7 D = 5.6 1.5mm² = 1.76 2.0mm² = 1.90 2.5mm² = 2.04	MQC - Applicator 878338-2	539635-1 WITH DIE: mit Matrize 539736-2	3.5	5.9	7.7	20	1.25	963244-1 963245-1	100132-1
928966-2	D	CuSn4	vorverzinkt PRETINNED	>2.5 - 4.0 FLR	E = 4.6 G = 4.8 D = 2.4 H = 7.6 K = 7.7 D = 5.6 3.0mm² = 2.13 4.0mm² = 2.35	MQC - Applicator 878441-2	539635-1 WITH DIE: mit Matrize 539736-2	4	5.9	7.7	20	1.25	963245-1	100132-1
1241962-1	B	CuFe2	vorverzinkt PRETINNED	>3.0 - 5.0 FLR	E = 4.8 G = 5.2 D = 2.5 H = 8.15 K = 7.8 D = 6.0 3.0mm² = 2.25 4.0mm² = 2.50 5.0mm² = 2.75	MQC - Applicator -	539635-1 WITH DIE: mit Matrize -	4	5.9	7.7	20	1.25	967011-1 963245-1	100132-1

VERSION B (SINGLE WIRE SEAL / Einzel-Dichtungs-System)



CONTACT ZONE SELECTIVE PRE SILVER PLATED MIN 3-4.5 µm
Kontaktzone selektiv vorversilbert min. 3-4.5 µm

CONTACT ZONE SELECTIVE PRE SILVER PLATED MIN 1-1.5 µm
Kontaktzone selektiv vorversilbert min. 1-1.5 µm

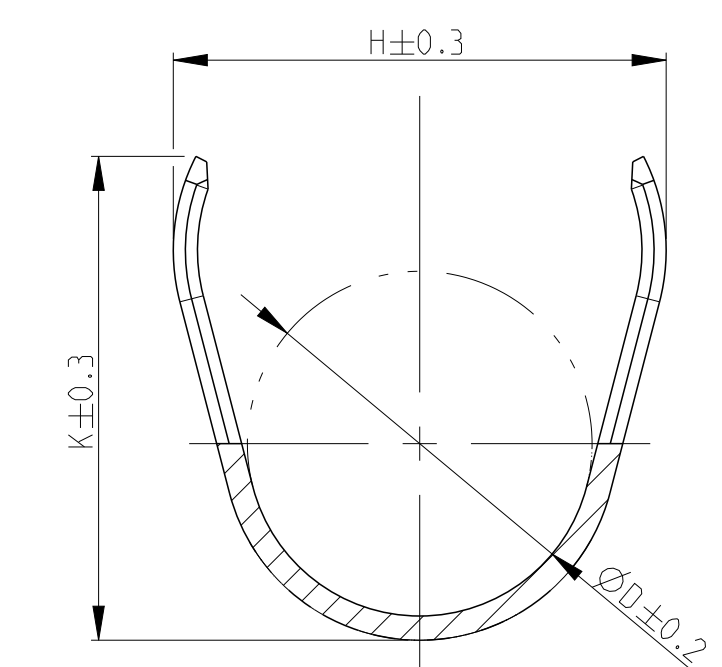
CONTACT BODY: ELECTRO TIN PLATED OVER NICKEL CONTACT AREA: GOLD PLATED
Kontaktkoerper: gal. verzinkt ueber Nickel Kontaktzone: vergoldet

CONTACT BODY: ELECTRO TIN PLATED OVER NICKEL CONTACT AREA: SELECTIVE NICKEL PLATED 2-4 µm
Kontaktkoerper: gal. verzinkt ueber Nickel Kontaktzone: selektiv vernickelt 2-4 µm

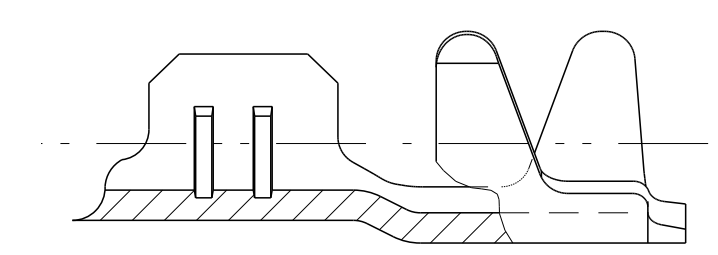
CONTACT BODY: ELECTRO TIN PLATED OVER NICKEL TOUCHING AREA TO CANTILEVER SPRING: SELECTIVE AU PLATED OVER NICKEL CANTILEVER SPRING: COMPLETELY AU PLATED
Kontaktkoerper: gal. verzinkt ueber Nickel Anlageflaeche zur Ueberfeder selektiv Au ueber Ni beschichtet Ueberfeder: komplett Au beschichtet

CONTACT BODY: ELECTRO TIN PLATED OVER NICKEL TOUCHING AREA TO CANTILEVER SPRING AND CONTACT AREA SELECTIVE AU PLATED OVER NICKEL CANTILEVER SPRING: COMPLETELY AU PLATED
Kontaktkoerper: gal. verzinkt ueber Nickel Anlageflaeche zur Ueberfeder Kontaktzone selektiv Au ueber Ni beschichtet Ueberfeder: komplett Au beschichtet

PREFORMT ISO-AREA ONLY FOR PN: 1241962-1
Isoflanken vorgeformt nur bei PN:1241962-1



WRAP CRIMP ONLY FOR PN:927839,927840 928989 AND 928990
Umfassungs crimp nur bei PN: 927839,927840,928989 und 928990



TRANSITION ONLY FOR PN 927827,927828,927829, 927830,927833,927834,927837,AND 927838
Uebergang nur fuer PN 927827,927828,927829, 927830,927833,927834,927837,und 927838

1-3 µm Sn20M LAYER FOR HIGHER TEMPERATURE REQUIREMENTS
1-3 µm Sn20M Schicht fuer hoehere Temperaturanforderungen

DOTTED LINE IS ALTERNATIVE SHAPE
Gestrichelte Linie alternative Form

OBSOLETE

THIS DRAWING IS A CONTROLLED DOCUMENT. DATE: 02/2011. DRAWN BY: J. HUHN. CHECKED BY: J. HUHN. APPROVED BY: J. HUHN. PRODUCT SPEC: 108-18025. APPLICATION SPEC: 114-18037. WEIGHT: -. SCALE: 10:1. SHEET: 1 of 1. REV: B6. EXTRACTION TOOL: T: 1579007-6 968107-1. MATERIAL: -. FINISH: -. CUSTOMER DRAWING. STANDARD POWER TIMER CONTACT. Standard Power Timer Kontakt. STE TE Connectivity. 100779. 1355048.