

**3V LVDS High-Speed
Differential Line Drivers**

Features

- Signaling Rates >400Mbps (200 MHz)
- Single 3.3V Power Supply Design
- $\pm 350\text{mV}$ Differential Swing
- Maximum Differential Skew of 0.4ns
- Maximum Propagation Delay of 2.0ns
- Maximum Power Dissipation: 25mW @ 200 MHz/driver
- Low Voltage TTL (LVTTTL) Inputs
- Industrial Temperature Operating Range: -40°C to 85°C
- Meets or Exceeds IEEE 1596.3 SCILVDS Standard
- Meets or Exceeds ANSI/TIA/EIA-644 LVDS Standard
- Packaging (Pb-free & Green available):

PI90LV017A & PI90LV027A

- 8-pin SOIC (W)

- 8-pin MSOP (U)

PI90LV031A

- 16-pin SOIC (W)

- 16-pin TSSOP (L)

Description

The PI90LV031A, PI90LV027A, and PI90LV017A are differential line drivers that use low-voltage differential signaling (LVDS) to support data rates in excess of 400 Mbps. These products are designed for applications requiring high-speed, low-power consumption and low noise generation.

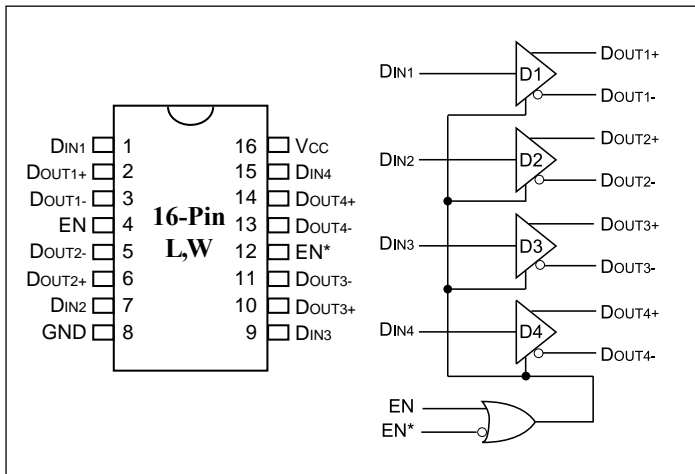
A low voltage TTL/CMOS input level is translated by the device into a low-voltage (350mV) differential output signal. Exclusive to the PI90LV031A quad driver is a power-down mode that 3-states the outputs and places the device in a low-power idle state (13mW typical).

Applications

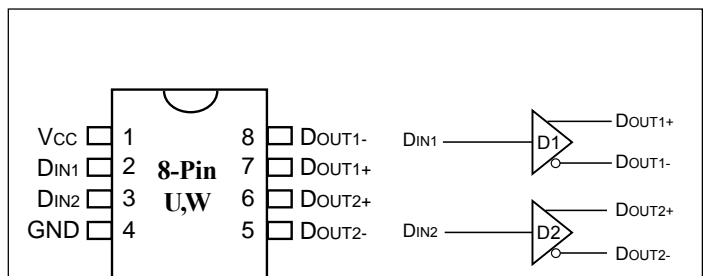
Applications include point-to-point and multidrop baseband data transmission over controlled impedance media of approximately 100 ohms. The transmission media can be printed circuit board traces, backplanes, or cables.

The PI90LV031A, PI90LV027A, PI90LV017A and companion line receivers (PI90LV032A, PI90LV028A, and PI90LV018A) provide new alternatives to RS-232, PECL, and ECL devices for high-speed, point-to-point interface applications.

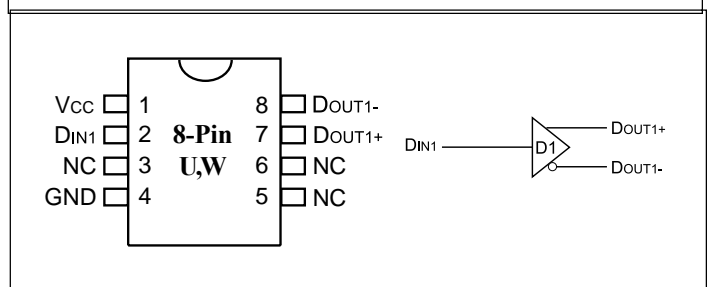
PI90LV031A



PI90LV027A



PI90LV017A



Function Tables
PI90LV031A

Enables		Input	Outputs	
EN	$\overline{\text{EN}}$	D _{IN}	D _{OUT+}	D _{OUT-}
H	X	H	H	L
H	X	L	L	H
X	L	H	H	L
X	L	L	L	H
L	H	X	Z	Z

PI90LV027A

Input	Outputs	
D _{IN}	D _{OUT+}	D _{OUT-}
H	H	L
L	L	H

PI90LV017A

Input	Outputs	
D _{IN}	D _{OUT+}	D _{OUT-}
H	H	L
L	L	H

Pin Descriptions

Name	Description
D _{IN}	TTL/CMOS driver input pins
D _{O+}	Non-inverting driver output pins
D _{O-}	Inverting driver output pins
GND	Ground pin
V _{CC}	Positive power supply pin, +3.3V ±10%

Recommended Operating Conditions

	Min.	Typ.	Max.	Units
Supply Voltage (V _{CC})	+3.0	+3.3	+3.6	V
Operating Free Air Temperature	-40	+25	+85	°C

Absolute Maximum Ratings (see Note 1, Page 4)

Supply Voltage (V _{CC})	-0.3V to +4.0V
Input Voltage (D _{IN})	-0.3V to (V _{CC} +0.3V)
Enable Input Voltage (EN, EN*)	-0.3V to (V _{CC} +0.3V)
Output Voltage (D _{OUT+} , D _{OUT-})	-0.3V to +3.9V
Short Circuit Duration (D _{OUT+} , D _{OUT-})	Continuous
S Package	750mW
Derate S Package	8.5mW/°C above +25°C
Storage Temperature Range	-65°C to +150°C
Lead Temperature Range Soldering (4s)	+260°C
Maximum Junction Temperature	+150°C
ESD Rating	≥6kV

Note:

Stresses greater than those listed under Absolute Maximum Ratings may cause permanent damage to the device. This is a stress rating only and functional operation of the device at these or any other conditions above those indicated in the operational sections of this specification is not implied. Exposure to absolute maximum rating conditions for extended periods may affect reliability.

Electrical Characteristics

Over supply voltage and operating temperature ranges, unless otherwise specified. (Notes 2,3,4)

Symbol	Parameter	Conditions	Pin	Min.	Typ.	Max.	Units
V_{OD1}	Differential Output Voltage	$R_L = 100\Omega$ (Fig. 1)	D _{OUT-} D _{OUT+}	250	350	450	mV
ΔV_{OD1}	Change in Magnitude of V_{OD1} for Complementary Output States				4	35	lmVl
V_{OS}	Offset Voltage			1.125	1.25	1.375	V
ΔV_{OS}	Change in Magnitude of V_{OS} for Complementary Output States				5	25	lmVl
V_{OH}	Output Voltage High				1.38	1.6	V
V_{OL}	Output Voltage Low			0.90	1.03		
V_{IH}	Input Voltage High		D _{IN} EN EN*	2.0		V_{CC}	V
V_{IL}	Input Voltage Low			GND		0.8	
I_{IH}	Input Current	$V_{IN} = V_{CC}$ or 2.5V		-10	± 1	+10	μA
I_{IL}	Input Current	$V_{IN} = GND$ or 0.4V		-10	± 1	+10	
V_{CL}	Input Clamp Voltage	$I_{CL} = -18mA$		-1.5	-0.8		V
I_{OS}	Output Short Circuit Current	ENABLED, ⁽¹⁰⁾ D _{IN} = V_{CC} , D _{OUT+} = 0V or D _{IN} = GND, D _{OUT-} = 0V	D _{OUT-} D _{OUT+}		-6.0	-9.0	mA
I_{OSD}	Differential Output Short Circuit Current	ENABLED, $V_{OD} = 0V^{(10)}$			-6.0	-9.0	
I_{OFF}	Power-off Leakage	$V_{OUT} = 0V$ or 3.6V, $V_{CC} = 0V$ or Open		-20	± 1	+20	μA
I_{OZ}	Output Three-State Current	EN = 0.8V and EN* = 2.0V $V_{OUT} = 0V$ or V_{CC}		-10	± 1	+10	
I_{CC}	No Load Supply Current Drivers Enabled	D _{IN} = V_{CC} or GND	V _{CC}		5.0	8.0	mA
I_{CCL}	Loaded Supply Current Drivers Enabled	$R_L = 100\Omega$ All Channels, D _{IN} = V_{CC} or GND (all inputs)			23	30	
I_{CCZ}	No Load Supply Current Drivers Disabled	D _{IN} = V_{CC} or GND, EN = GND, EN* = V_{CC}			2.6	6.0	

Switching Characteristics
 $V_{CC} = +3.3V \pm 10\%$, $T_A = -40^\circ C$ to $+85^\circ C$ (Notes 3,9,11)

Symbol	Parameter	Conditions	Min.	Typ.	Max.	Units
t _{PHLD}	Differential Propagation Delay High to Low	R _L = 100Ω, C _L = 10pF (Figures 2 & 3)	0.8	1.18	2.0	ns
t _{PLHD}	Differential Propagation Delay Low to High		0.8	1.25	2.0	
t _{SKD1}	Differential Pulse Skew t _{PHLD} - t _{PLHD} ⁽⁵⁾		0	0.07	0.4	
t _{SKD2}	Channel-to-Channel Skew ⁽⁶⁾		0	0.1	0.5	
t _{SKD3}	Differential Part-to-Part Skew ⁽⁷⁾		0		1.0	
t _{SKD4}	Differential Part-to-Part Skew ⁽⁸⁾		0		1.2	
t _{T LH}	Rise Time			0.38	1.5	
t _{T HL}	Fall Time			0.40	1.5	
t _{PHZ}	Disable Time High to Z	R _L = 100Ω, C _L = 10pF (Figures 4 & 5)			5	
t _{PLZ}	Disable Time Low to Z				5	
t _{PZH}	Enable Time Z to High				7	
t _{PZL}	Enable Time Z to Low				7	
t _{MAX}	Maximum Operating Frequency ⁽¹³⁾		200	250		MHz

Notes:

1. “Absolute Maximum Ratings” are those values beyond which the safety of the device cannot be guaranteed. They are not meant to imply that the devices should be operated at these limits. The table of “Electrical Characteristics” specifies conditions of device operation.
2. Current into device pins is defined as positive. Current out of device pins is defined as negative. All voltages are referenced to ground except: V_{OD1} and ΔV_{OD1}.
3. All typicals are given for: V_{CC} = +3.3V, T_A = +25°C.
4. The PI90LV031A/PI90LV027A/PI90LV017A are current mode devices and only functions within datasheet specifications when a resistive load is applied to the driver outputs typical range is (90Ω to 110Ω).
5. t_{SKD1}, |t_{PHLD} - t_{PLHD}| is the magnitude difference in differential propagation delay time between the positive going edge and the negative going edge of the same channel.
6. t_{SKD2} is the Differential Channel-to-Channel Skew of any event on the same device.
7. t_{SKD3}, Differential Part-to-Part Skew, is defined as the difference between the minimum and maximum specified differential propagation delays. This specification applies to devices at the same V_{cc} and with 5°C of each other within the operating temperature range.
8. t_{SKD4}, Part-to-Part Skew, is the differential Channel-to-Channel skew of any event between devices. This specification applies to devices over recommended operating temperature and voltage ranges, and across process distribution. t_{SKD4} is defined as |t_{Max} - t_{Min}| differential propagation delay.
9. Generator waveform for all tests unless otherwise specified: f = 1 MHz, Z_O = 50Ω, t_r ≤ 1ns, and t_f ≤ 1ns.
10. Output short circuit current (I_{OS}) is specified as magnitude only, minus sign indicates direction only.
11. C_L includes probe and jig capacitance.
12. All input voltages are for one channel unless otherwise specified. Other inputs are set to GND.
13. f_{MAX} generator input conditions: t_R = t_F < 1ns, (0% to 100%), 50% duty cycle, 0V to 3V.
Output Criteria: duty cycle = 45%/55%, V_{OD} > 250mV, all channels switching.

Parameter Measurement Information

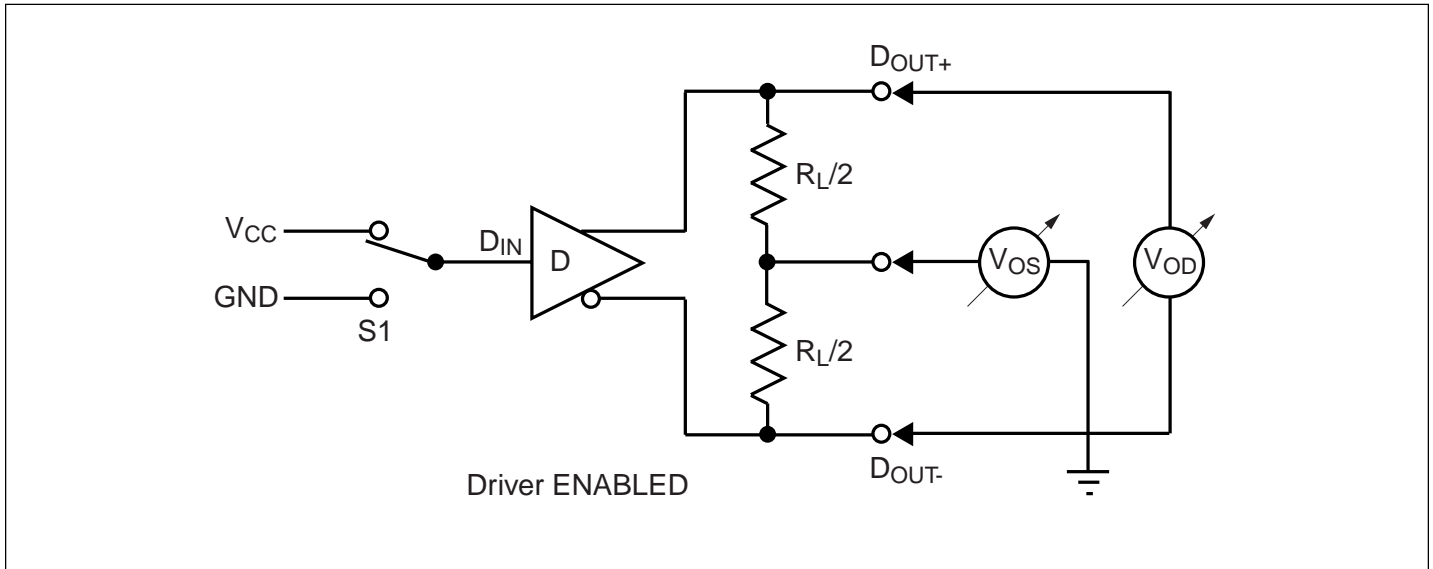


Figure 1. Driver V_{OD} and V_{OS} Test Circuit

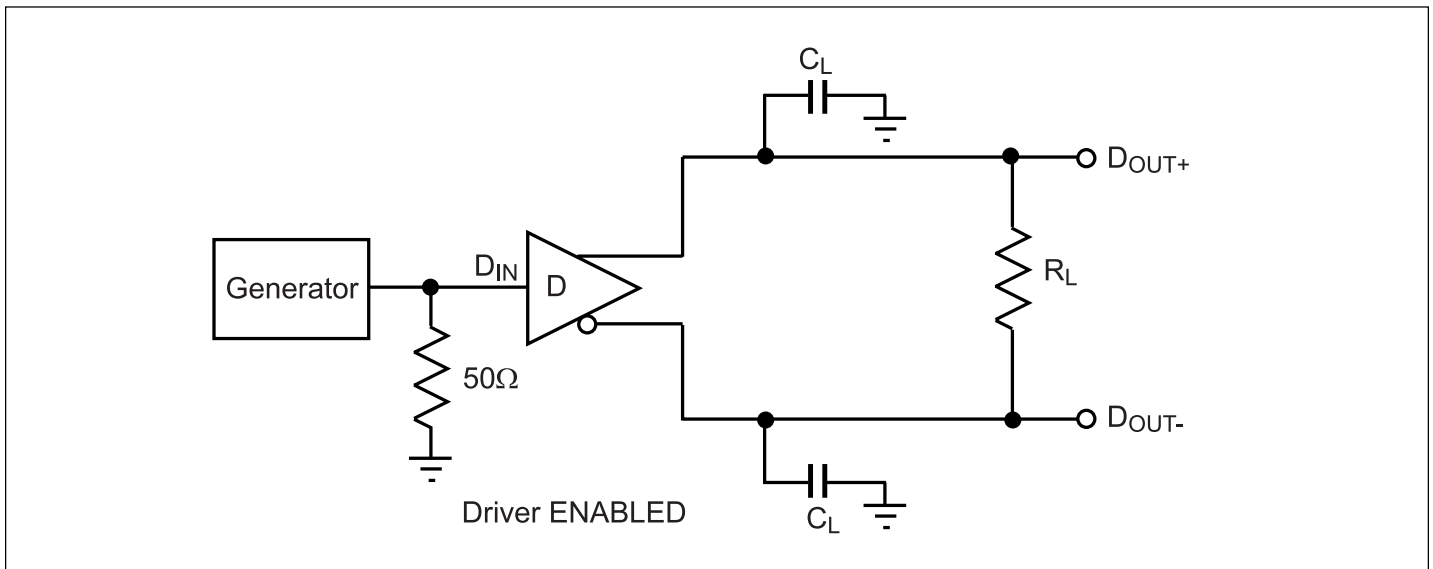


Figure 2. Driver Propagation Delay and Transition Time Test Circuit

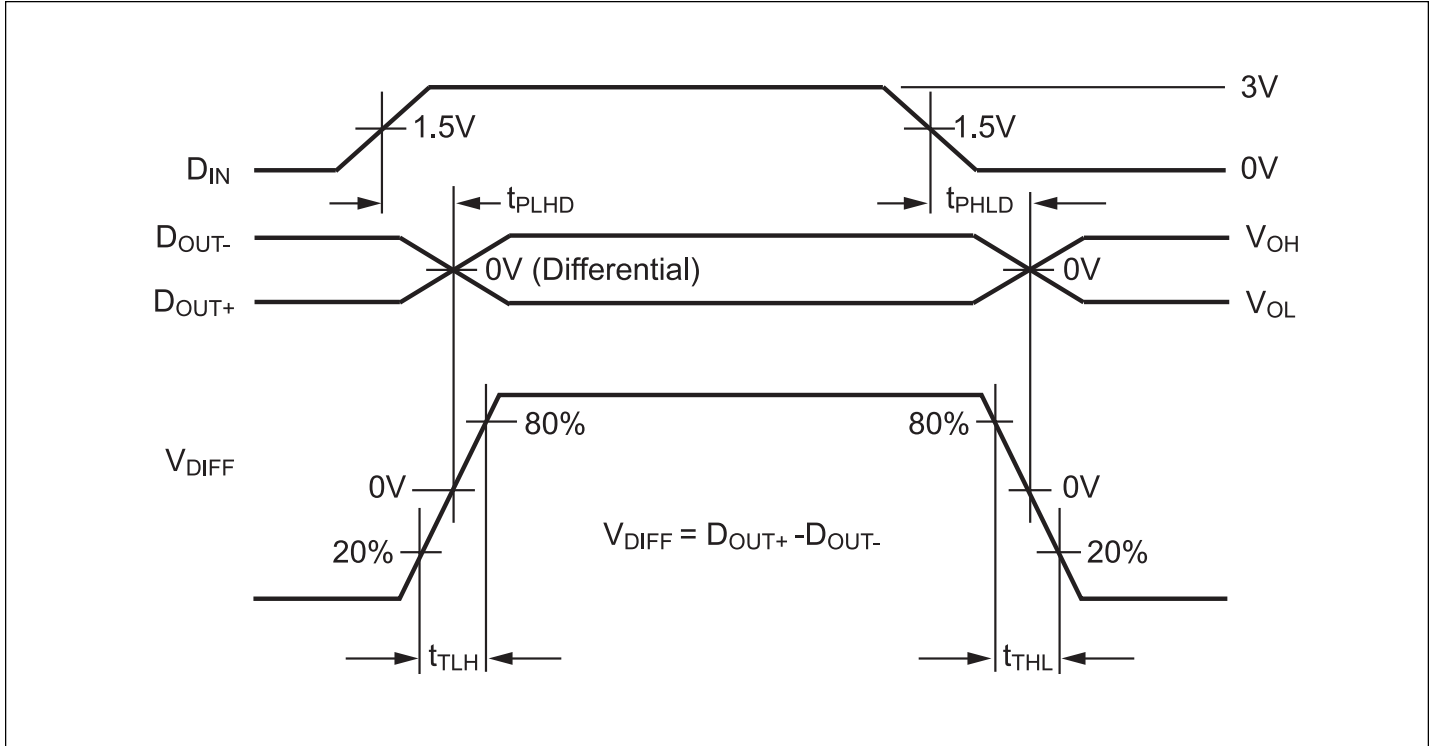


Figure 3. Driver Propagation Delay and Transition Time Waveforms

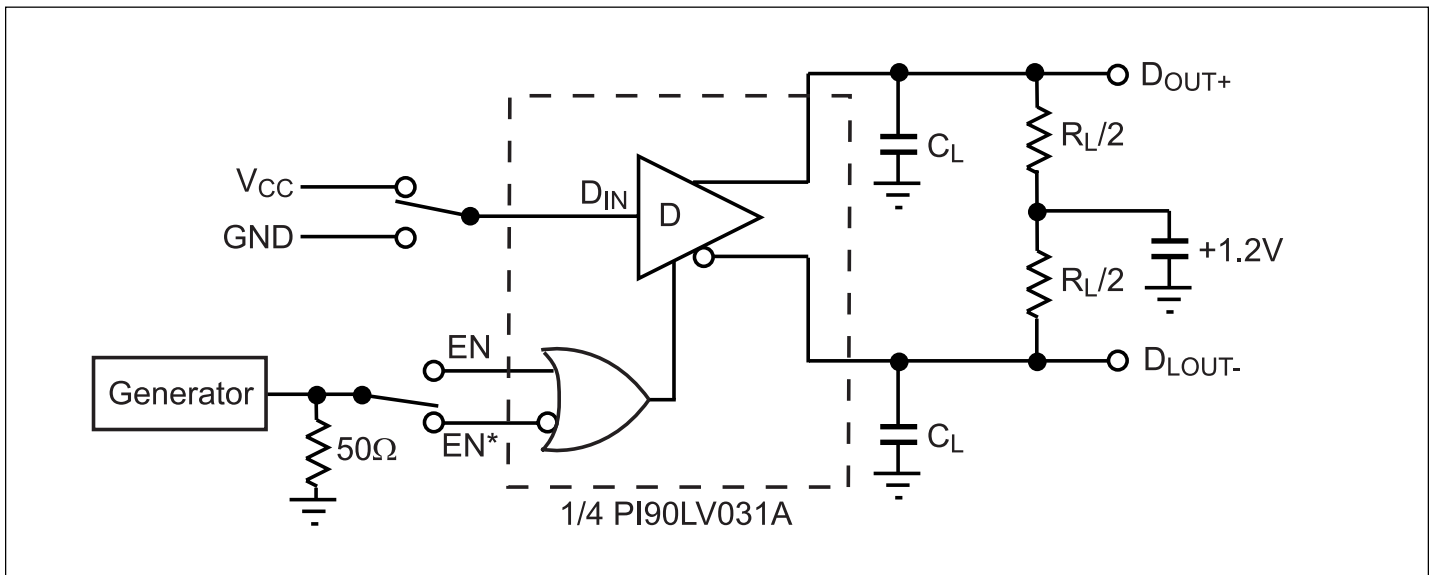


Figure 4. Driver Three-State Delay Test Circuit

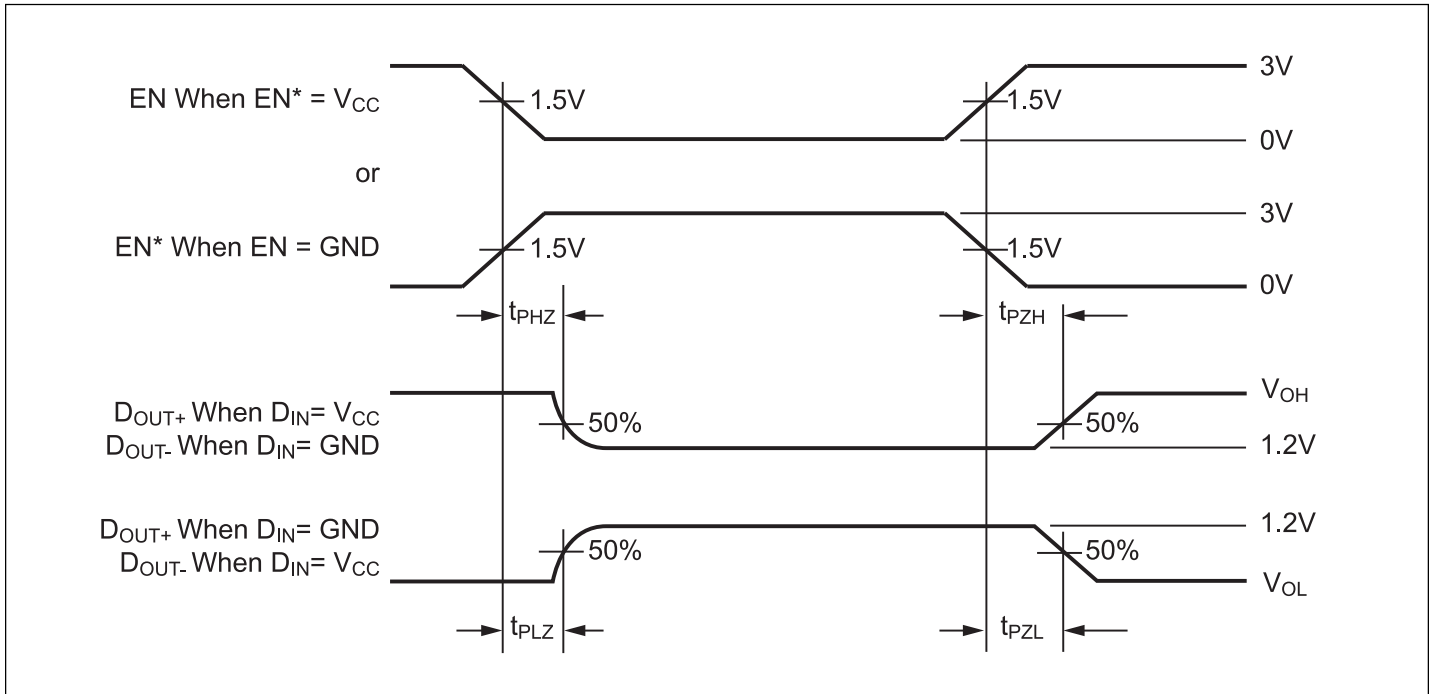


Figure 5. Driver 3-State Delay Waveform

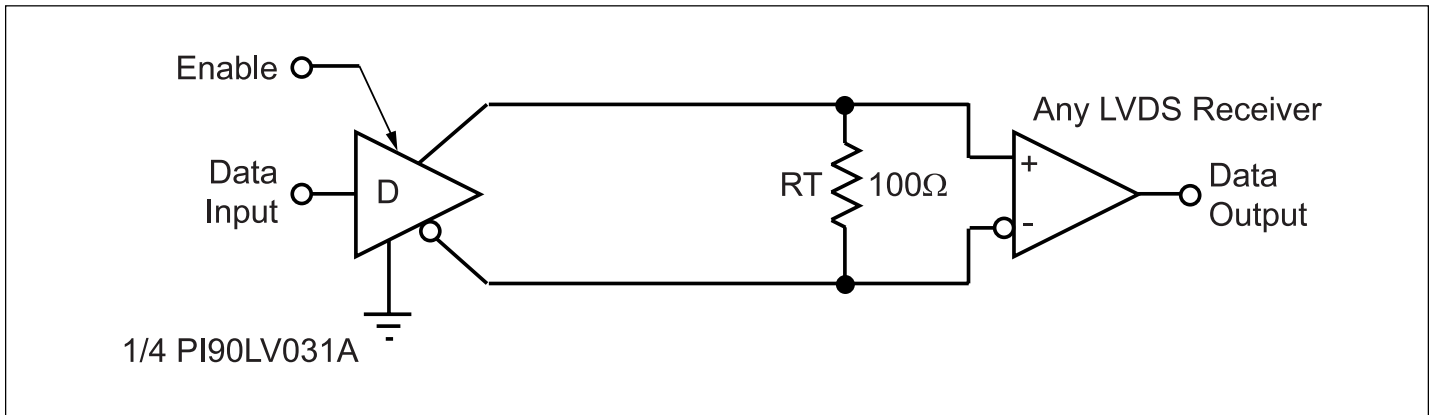
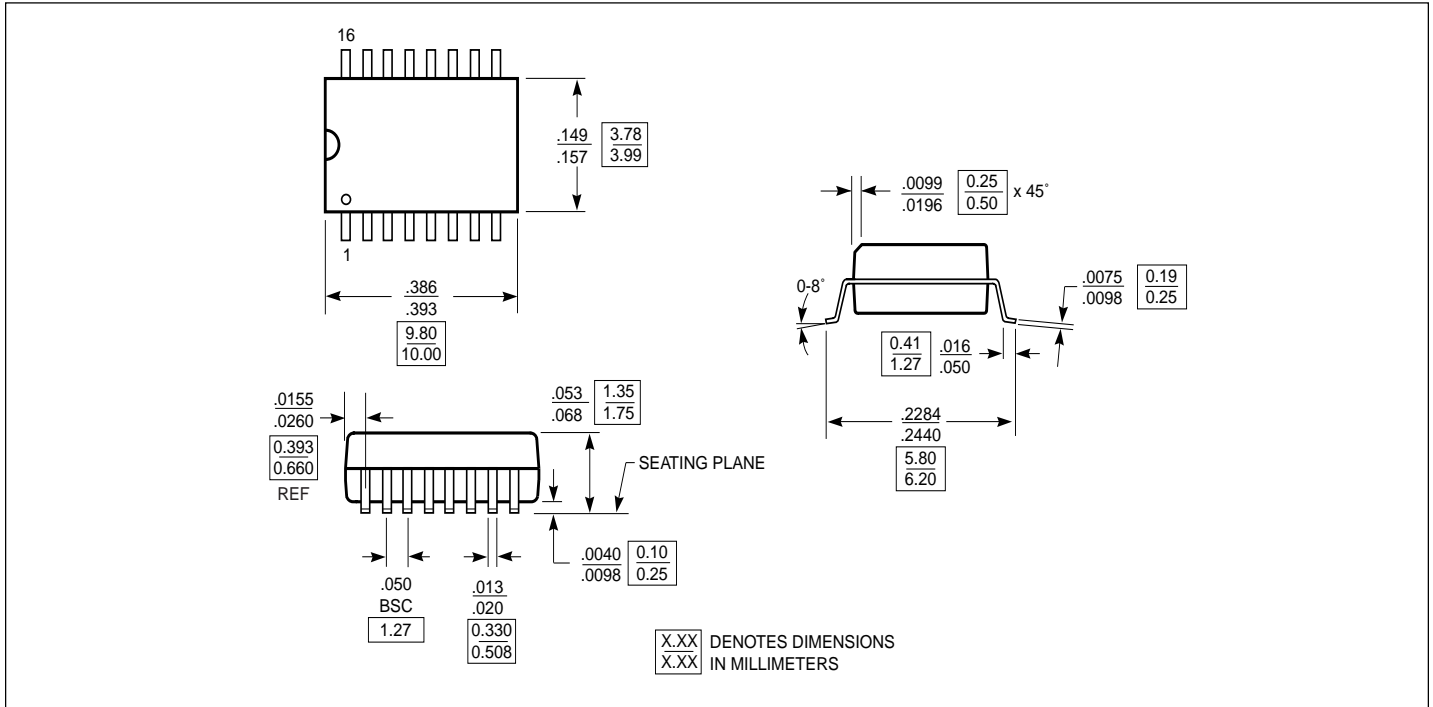
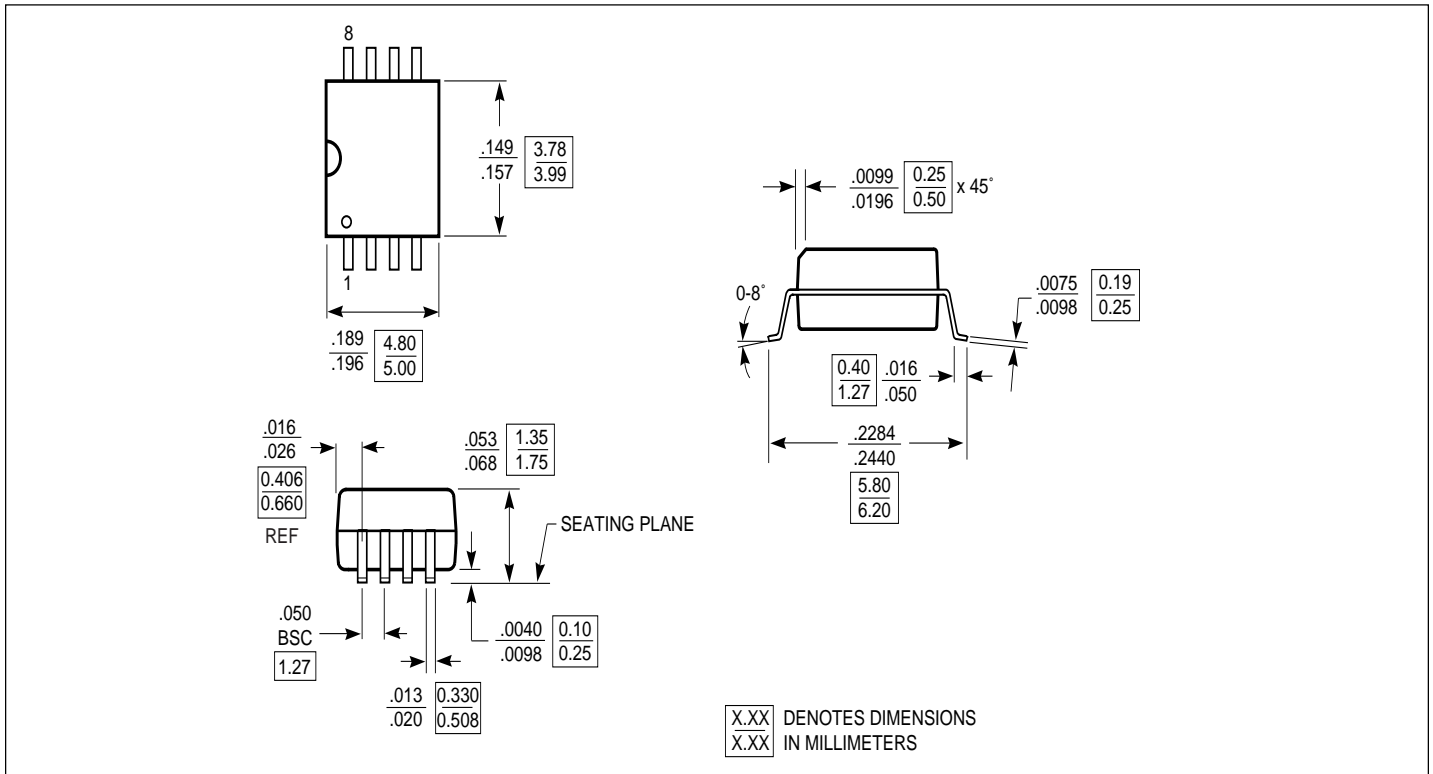


Figure 6. Point-to-Point Application

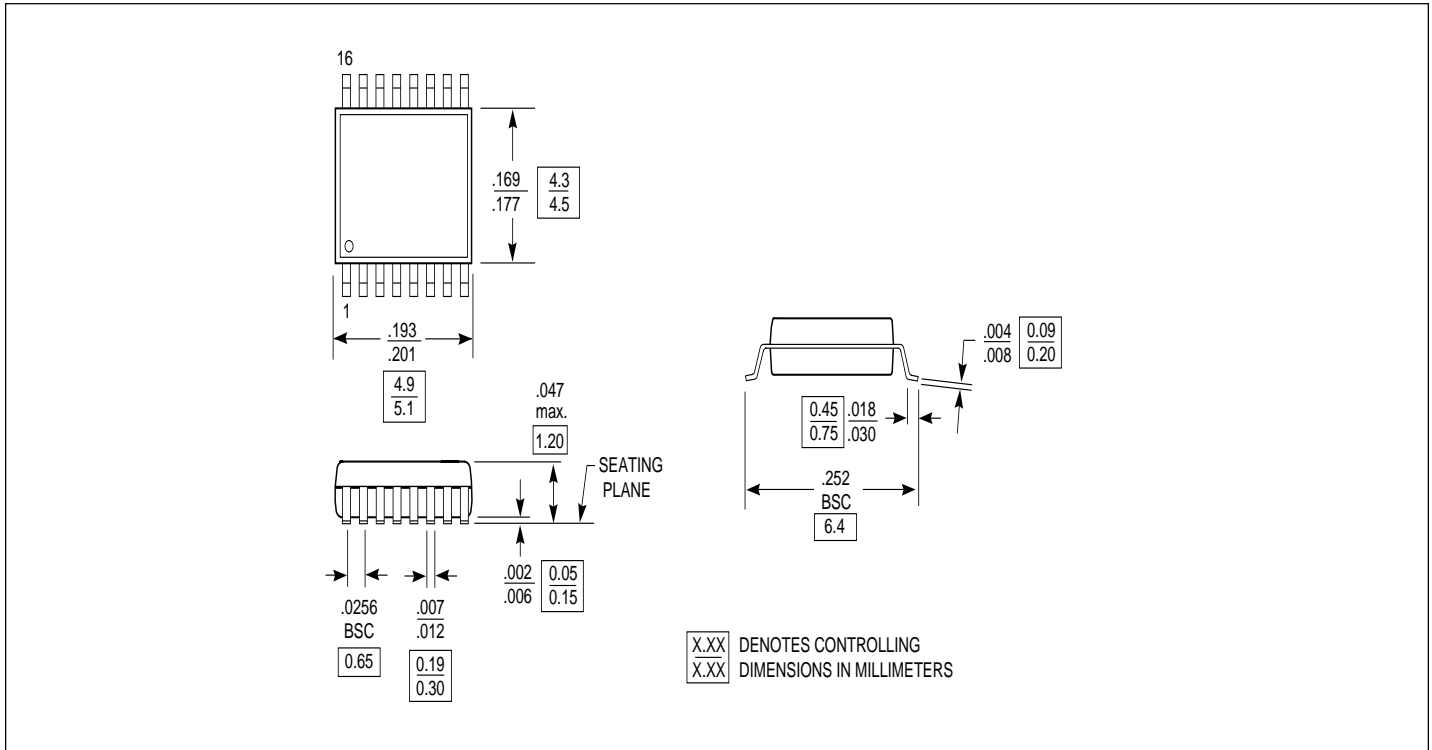
Packaging Mechanical: 16-Pin SOIC (W)



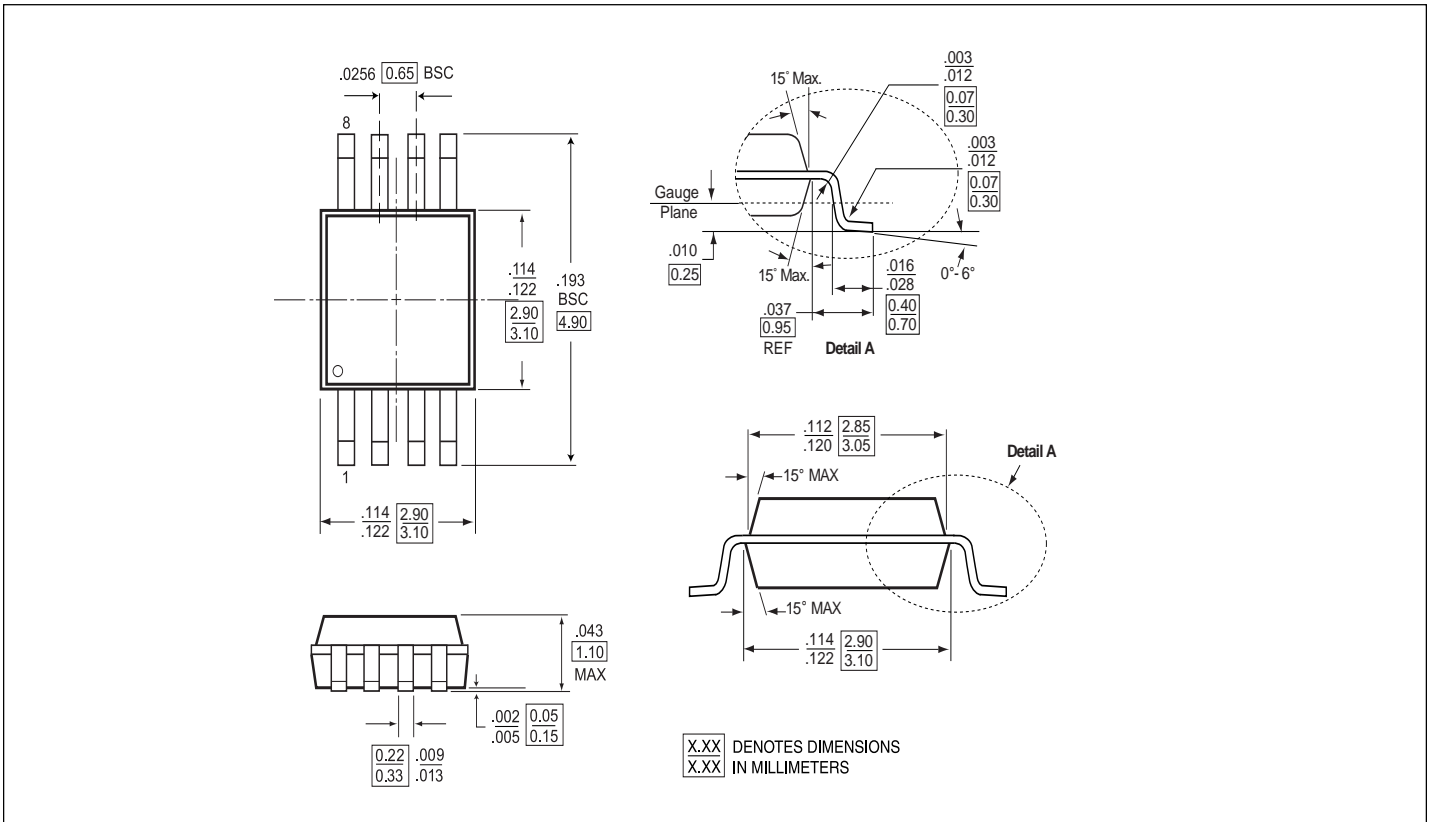
Packaging Mechanical: 8-Pin SOIC (W)



Packaging Mechanical: 16-Pin TSSOP (L)



Packaging Mechanical: 8-pin MSOP (U)





Ordering Information

Ordering Code	Package Code	Package Description
PI90LV017AW	W	8-pin SOIC
PI90LV017AWE	W	Pb-free & Green, 8-pin SOIC
PI90LV017AU	U	8-pin MSOP
PI90LV017AUE	U	Pb-free & Green, 8-pin MSOP
PI90LV027AW	W	8-pin SOIC
PI90LV027AWE	W	Pb-free & Green, 8-pin SOIC
PI90LV027AU	U	8-pin MSOP
PI90LV027AUE	U	Pb-free & Green, 8-pin MSOP
PI90LV031AW	W	16-pin SOIC
PI90LV031AWE	W	Pb-free & Green, 16-pin SOIC
PI90LV031AL	L	16-pin TSSOP
PI90LV031ALE	L	Pb-free & Green, 16-pin TSSOP

Notes:

1. Thermal characteristics can be found on the company web site at www.pericom.com/packaging/