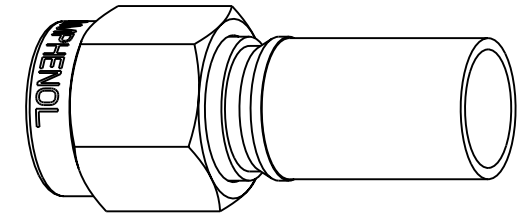


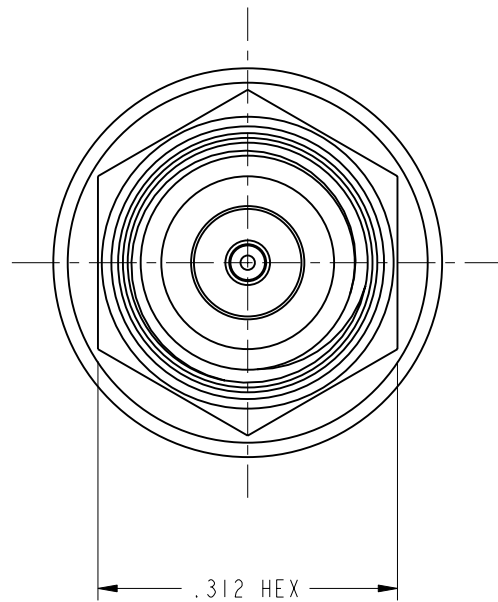
NOTES:

- MATERIAL AND FINISH:  
 BODY AND COUPLING NUT - STAINLESS STEEL, PASSIVATED.  
 CONTACT - BERYLLIUM COPPER, GOLD PLATED.  
 FERRULE - ANNEALED COPPER, NICKEL PLATED.  
 INSULATOR - PTFE.
- FOR CABLE STRIPPING AND ASSEMBLY INSTRUCTIONS  
 SEE 349-50180, SHT 15. USE CRIMP TOOL 227-944  
 WITH DIE SET 227-1221-11, CAVITY 'A' (M22520/5-11  
 CLOSURE 'A') .213 HEX.
- DO NOT SCALE THIS DRAWING.

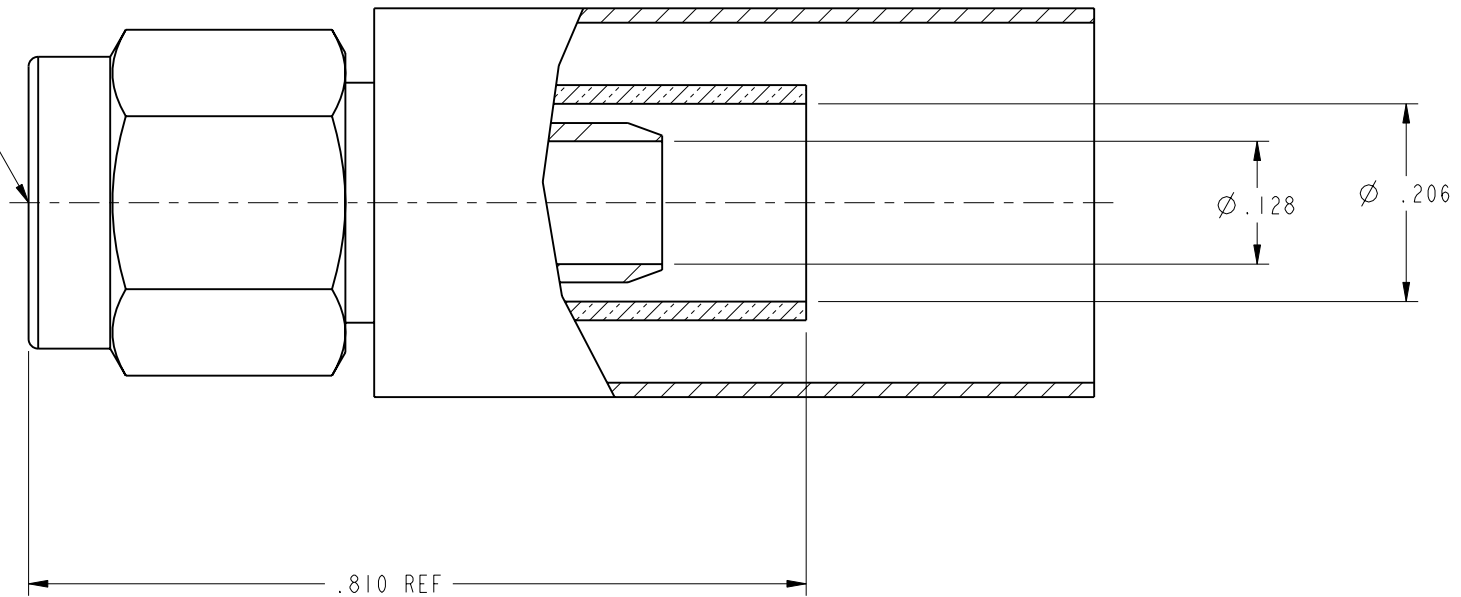
901-10012		REVISIONS			
DRAWING NO.	REV	DESCRIPTION	DATE	ECO	APPR
THIRD ANGLE PROJ.	A	OFFICAL ENG. RELEASE TO MFG.	3/11/99	42851	PB/



SCALE 3.000



INTERFACE PER  
 MIL-STD-348  
 SMA SERIES  
 FIGURE 310-1



CUSTOMER OUTLINE DRAWING

ALL OTHER SHEETS ARE FOR INTERNAL USE ONLY

UNLESS OTHERWISE SPECIFIED, DIMENSIONS ARE IN INCHES AND TOLERANCES ARE: 2 PLACE DECIMAL ±.015 (0,381 mm) 3 PLACE DECIMAL ±.005 (0,127 mm) ANGLES ± 1°	MATERIAL	DRAWN P. BRENZEL	DATE 26 FEB 99	TITLE SMA STR. PLUG LMR 200 CABLE		<b>Amphenol</b> Amphenol Corporation Communication and Network Products Division Danbury, CT U.S.A. 06810	
	REFERENCE EAR# 966783 I GEN# ASSYM3_SMA 615X-1474-0001	ENGINEER P. BRENZEL	DATE 26 FEB 99				
NOTICE - These drawings, specifications, or other data (1) are, and remain the property of Amphenol Corp. (2) must be returned upon request; and (3) are confidential and not to be disclosed to any person other than those to whom they are given by Amphenol Corp. The furnishing of these drawings, specifications, or other data by Amphenol Corp., or to any other person to anyone for any purpose is not to be regarded by implication or otherwise in any manner licensing, granting rights or permitting such holder or any other person to manufacture, use or sell any product, process or design, patented or otherwise, that may in any way be related to or disclosed by said drawings, specifications, or other data.	CAD FILE I:\SMA\901-10012		CODE ID 74868	DWG SIZE B	DRAWING NO. 901-10012	SCALE: 5.0:1	SHEET 1 OF 1
							REV A