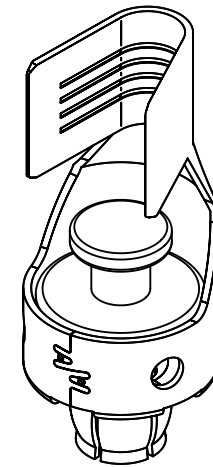
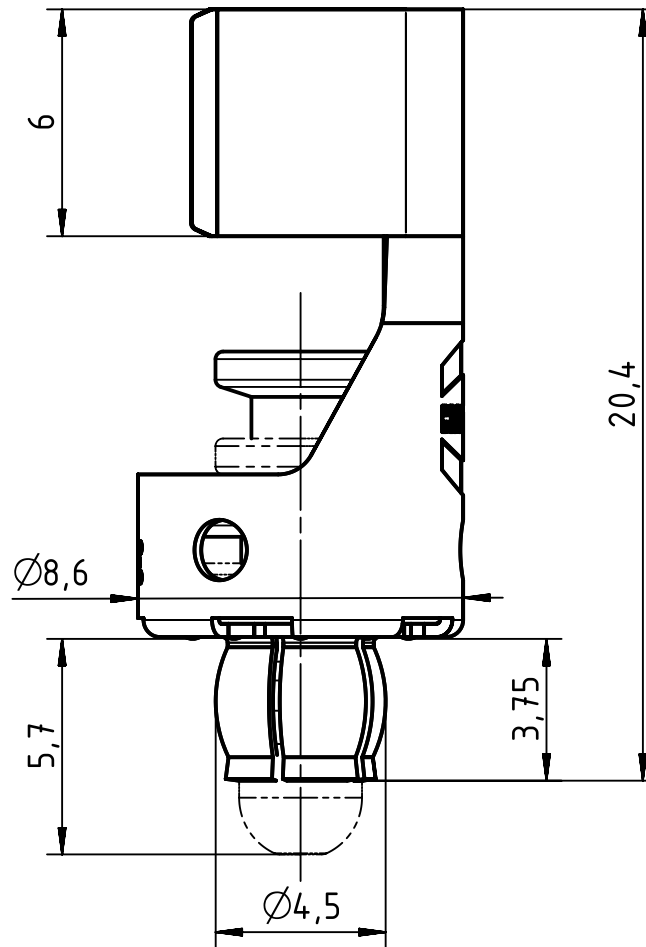
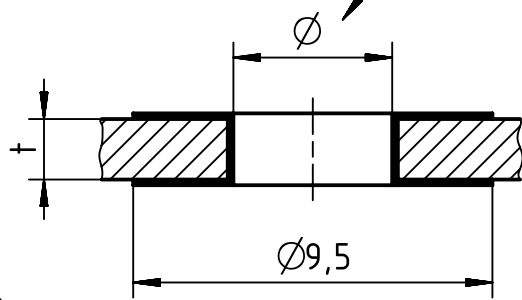


t	∅
1,6-3,2	4,4 ^{+0,05} _{-0,04}

PCB lay-out finished hole



	All rights reserved Department EL PD - DE HARTING Electric GmbH & Co. KG D-32339 Espelkamp	All Dimensions in mm Original Size DIN A4	Scale 5:1	Free size tol.	Ref.
		Created by DEIMEL	Inspected by SCHNIEDER	Standardisation TIEMANNA	Date 2016-03-30
Title Han-Fast Lock 10mm ² m.Pin, Ag					Doc-Key / ECM-Nr. 100230954/UGD/006/D 500000102451
Type TB			Number 09 08 000 7124		Rev. D
					Page 1/1