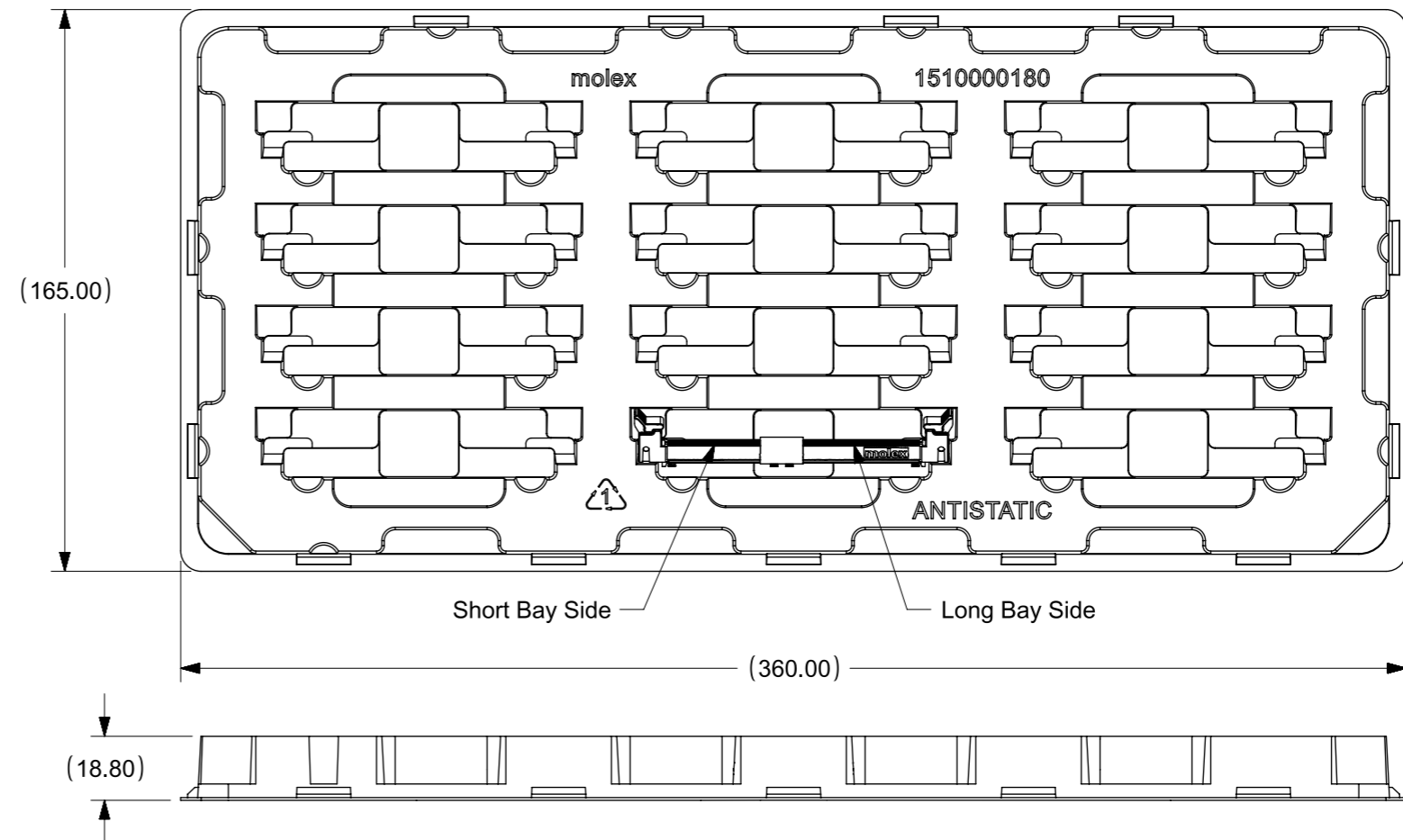
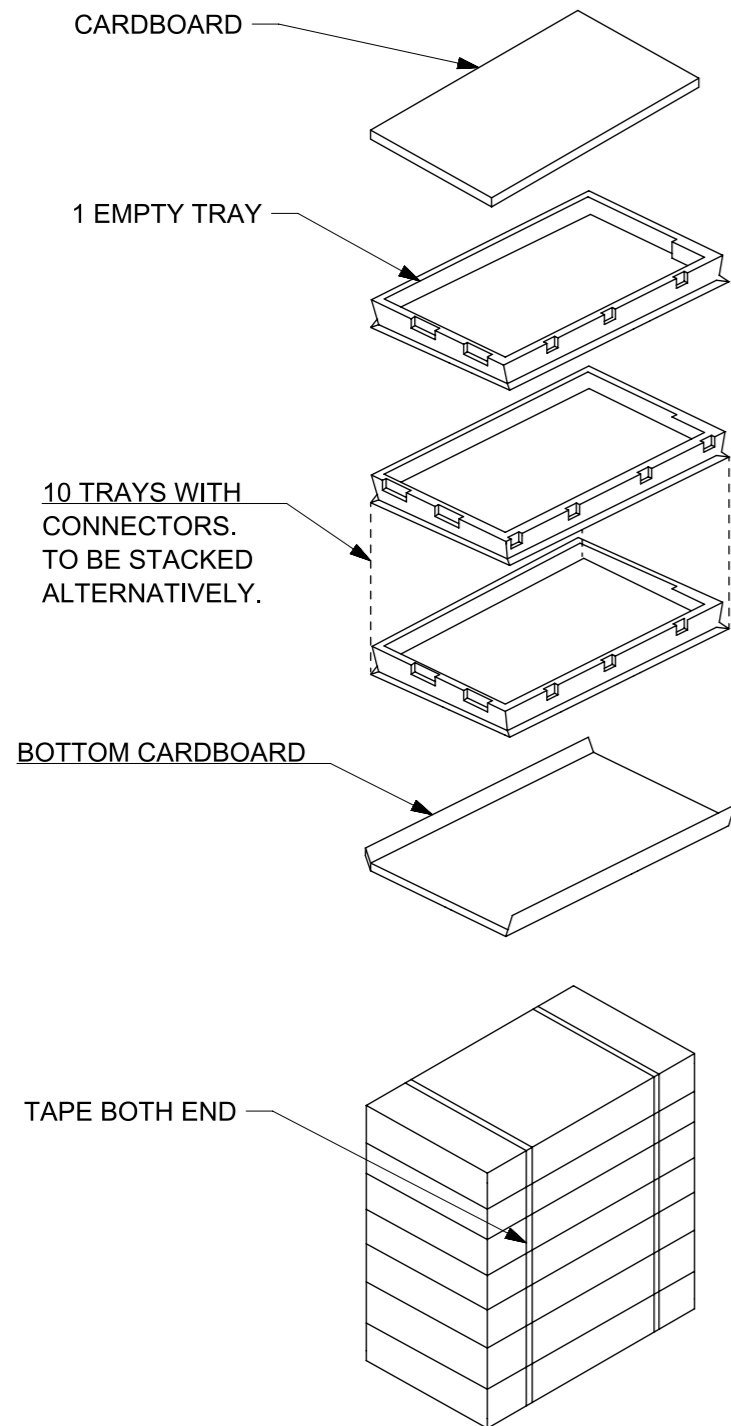
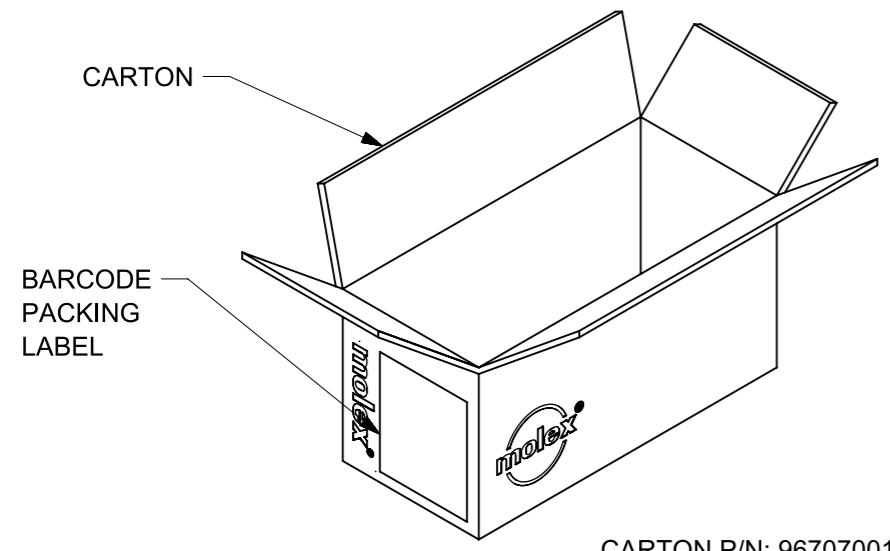


| CONNECTOR P/N | TRAY P/N | QTY/TRAY | TRAY/CARTON |
|---------------|-------------|----------|--------------------------------------|
| 151134 XXXX | 151000 0180 | 12 | 10+1 (Empty Tray) (120Pcs/Carton) |



- NOTES :
- PARTS MUST BE PACKED AND ORIENTATED AS PER DETAIL SHOWN.
 - CLOSE CARTON WITH TAPE.
 - ORIENTATION OF THE CONNECTOR IN ALL OTHER POCKETS ARE SAME AS SHOWN.



| THIS DRAWING CONTAINS INFORMATION THAT IS PROPRIETARY TO MOLEX ELECTRONIC TECHNOLOGIES, LLC AND SHOULD NOT BE USED WITHOUT WRITTEN PERMISSION | | | | | | | | | | | | | |
|--|---|---|--|---|--|--|--|---|--|--|--|---|--|
| QUALITY SYMBOLS FA = 0 FE = 0 FB = 0 FC = 0 FD = 0 FE = 0 FF = 0 FG = 0 FH = 0 FI = 0 FJ = 0 FK = 0 FL = 0 FM = 0 FN = 0 FO = 0 FP = 0 FQ = 0 FR = 0 FS = 0 FT = 0 FU = 0 FV = 0 FW = 0 FX = 0 FY = 0 FZ = 0 FA = 0 FB = 0 FC = 0 FD = 0 FE = 0 FF = 0 FG = 0 FH = 0 FI = 0 FJ = 0 FK = 0 FL = 0 FM = 0 FN = 0 FO = 0 FP = 0 FQ = 0 FR = 0 FS = 0 FT = 0 FU = 0 FV = 0 FW = 0 FX = 0 FY = 0 FZ = 0 | NEW RELEASE EC NO: 111081 DRWN: KUCHILA CHK'D: SHLENI APPR: SHLENI REV: A DATE: 2016/08/25 2017/01/23 | GENERAL TOLERANCES (UNLESS SPECIFIED) ANGULAR TOL ± ° | | DIMENSION UNITS: MM SCALE: NTS | | | | | | | | | |
| | | 4 PLACES ± 3 PLACES ± 2 PLACES ± 1 PLACE ± 0 PLACES ± | | DRWN BY: EKSOH DATE: 2015/11/02 CHK'D BY: EKSOH DATE: 2015/11/03 | | | | | | | | PACKAGING SPECIFICATION FOR 151134 SERIES PACKAGING DESIGN DRAWING | |
| | | DRAFT WHERE APPLICABLE MUST REMAIN WITHIN DIMENSIONS | | DRAWING SIZE: A3 THIRD ANGLE PROJECTION | | SERIES: 151134 MATERIAL NUMBER: SEE TABLE CUSTOMER: GENERAL MARKET | | DOCUMENT NUMBER: PK-151134-0001 DOC TYPE: PDD DOC PART: 000 SHEET NUMBER: 1 OF 1 | | | | | |
| | | RELEASE STATUS: _____ RELEASE DATE: _____ | | | | | | | | | | | |