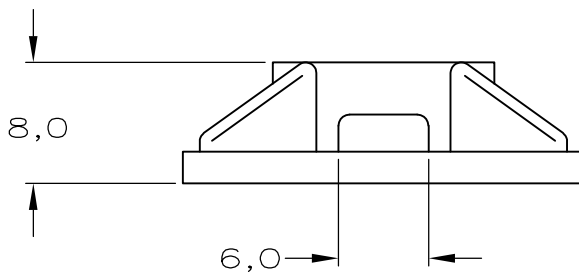
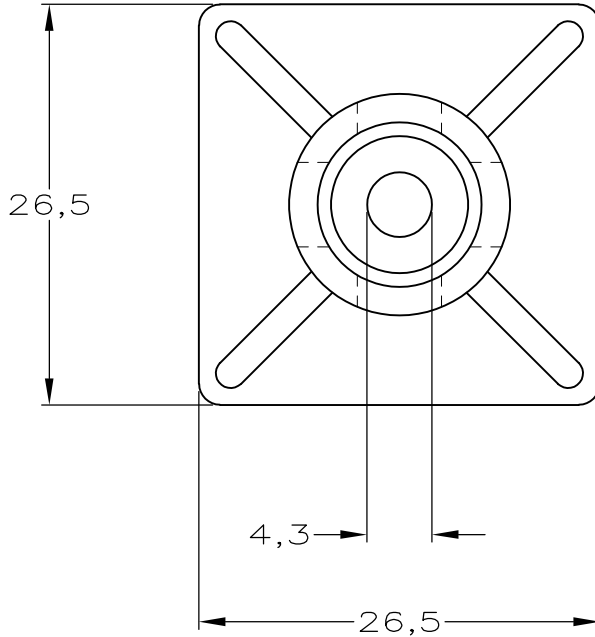


LOC	DIST	REVISIONS					
—	—	P	LTR	DESCRIPTION	DATE	DWN	APVD
			0	H-9856	14-08-92	R.D.	RV
			01	ECR-10-026542	04JAN11	KK	HMR

NOTES:

- 1 MAX. CABLE TIE WIDTH 4,8.
- 2 TENSILE STRENGTH 210 kPa
- 3 APPL. TEMP. RANGE +5 - +50° C.
- 4 OBSOLETE



BLACK	POLYAMIDE 6/6	\triangle 2-100734-2	100
NATURAL	POLYAMIDE 6/6	2-100734-1	100
FINISH	MATERIAL	PARTNUMBER	QTY

RELEASED FOR PUBLICATION

ALL RIGHTS RESERVED.

THIS DRAWING IS UNPUBLISHED.

© COPYRIGHT - By -

DIMENSIONS: mm	DWN	14-08-92	MATERIAL	FINISH			
	R.DAAMEN		-	-			
TOLERANCES UNLESS OTHERWISE SPECIFIED:	CHK	-	TE Connectivity				
	R.VOS.	-					
0 PLC ± - 1 PLC ± - 2 PLC ± - 3 PLC ± - 4 PLC ± - ANGLES ± -	APVD	-	NAME MOUNTING BASE.				
	L.V.SOEST.	-					
	PRODUCT SPEC	-	SIZE	CAGE CODE	DRAWING NO	RESTRICTED TO	
	APPLICATION SPEC	-	A4	00779	C-100734	-	
WEIGHT		-	CUSTOMER DRAWING		SCALE	SHEET 1 OF 1	REV 01