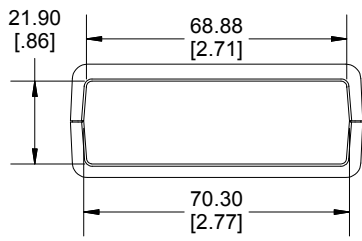
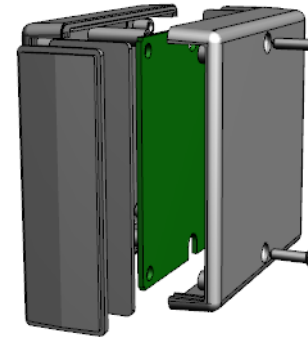
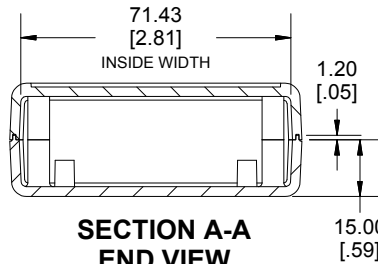


**SECTION B-B
SIDE VIEW**



END VIEW



**SECTION A-A
END VIEW**

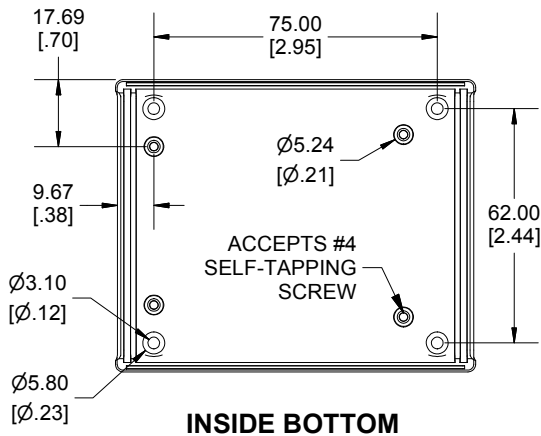
Enclosures can be Factory Modified (Milling, Drilling, Printing etc.)
 Contact Factory mjm@hammondmfg.com for quotes
 Solid models of this enclosure available in STEP or IGES.
 (Part number and text placement/orientation on our products are subject to change,
 we do not recommend using them as a locating reference for modification purposes)

NOTE

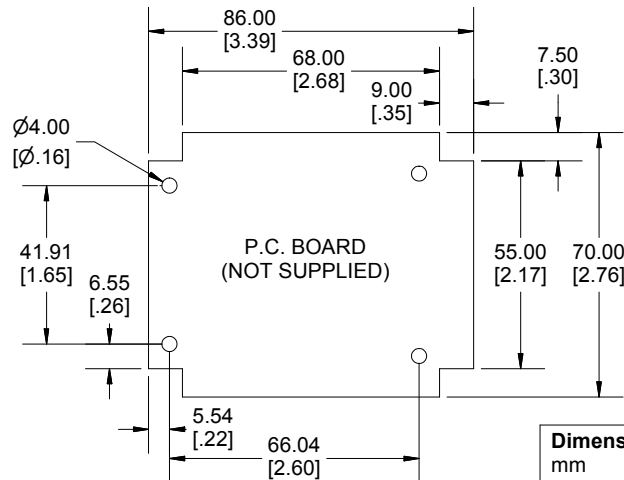
Enclosure molded from GP ABS (UL94-HB) plastic.
 Purchased assembly includes top and bottom cover, 2 flat plastic panels for front and rear and 4 cover screws.

Recommended Cover Screw Torque - 57lbf-in (40cN-m)

1593		
1593BB Regular Enclosure		
Black Enclosure	1593BBBK	
Grey Enclosure	1593BBGY	
Translucent Blue Enclosure	1593BBTBU	
ACCESSORIES		
Cover Screws #4 X 3/4" Self-Tapping (100 Pkg)	1593QS100 (Silver)	
	1593QS100BK (Black)	
P.C. Board Screws #4 X 1/4" Self-Tapping	1593ATS50 (Pkg 50)	
	1593ATS100 (Pkg 100)	
Nylon Belt Clip	1599CLIP (Black)	
	1599CLIPGY (Grey)	
1593BB STD FLAT PANEL (SINGLE PANEL)	Black	1593BBLBK-B
	Grey	1593BBLGY-B
	Translucent Blue	1593BBLTBU-B
	Infrared	1593BBIR10



INSIDE BOTTOM



Dimensions:
 mm
 [inches]

