

IEC Appliance Inlet C18, Snap-in Mounting, Solder, Quick-connect, Screw- or PCB Terminal



Snap-in version



See below:

**Approvals and Compliances**

**Description**

- Panel Mount :  
 Snap-in version , Front Side
- 1 Function
- Appliance Inlet , Pin temperature 70 °C , Protection class II
- Solder, quick-connect, screw, PCB

**References**

Alternative: protection class I version

**Weblinks**

[pdf datasheet](#), [html-datasheet](#), [General Product Information](#), [Distributor-Stock-Check](#), [Accessories](#), [Detailed request for product](#), [Microsite](#)

Newly available variants corresponding to V-Lock mating cordset. The connector is equipped with a notch intended for use with the latching cordset. The cord latching system prevents against accidental removal of the cordset.

**Technical Data**

Ratings IEC	10A / 250VAC; 50Hz	appliance inlet/-outlet	C18 acc. to IEC 60320-1
Ratings UL/CSA	15A / 250VAC; 60Hz		UL 60320-1, CSA C22.2 no. 60320-1
Dielectric Strength	> 3 kVAC between L-N > 1.5 kVAC between L/N-PE (1 min/50Hz)		(for cold conditions) pin-temperature 70 °C, 10A, Protection Class II
Allowable Operation Temperature	-25 °C to 70 °C		
IP-Protection	from front side IP 20 acc. to IEC 60529		
Insulation cover	Suitable for appliances with protection class II acc. to IEC 61140		
Terminal	Solder, quick-connect, screw, PCB		
Panel Thickness S	Snap-in version 0.8/1.0/1.2/1.5/2.0/2.5/3.0/4.0 mm		
Material: Housing	PA6, black or grey, UL 94V-0		

**Approvals and Compliances**

Detailed information on product approvals, code requirements, usage instructions and detailed test conditions can be looked up in [Details about Approvals](#)

**Approvals**




The approval mark is used by the testing authorities to certify compliance with the safety requirements placed on electronic products.

Approval Reference Type: 6015

Approval Logo	Certificates	Certification Body	Description
	<a href="#">VDE Approvals</a>	VDE	Certificate Number: 40011871
	<a href="#">CSA Approvals</a>	CSA	CSA Certification Record: 27324
	<a href="#">CQC Approvals</a>	CQC	CCC Certificate Number:


## Product standards

Product standards that are referenced

Organization	Design	Standard	Description
	Designed according to	IEC 60320-1	Appliance couplers for household and similar general purposes
	Designed according to	UL 60320-1	Standard for Attachment Plugs and Receptacles
	Designed according to	CSA C22.2 no. 60320-1	General Use Receptacles, Attachment Plugs, and Similar Wiring Devices






## Application standards

Application standards where the product can be used

Organization	Design	Standard	Description
	Designed for applications acc.	IEC/UL 60950	IEC 60950-1 includes the basic requirements for the safety of information technology equipment.

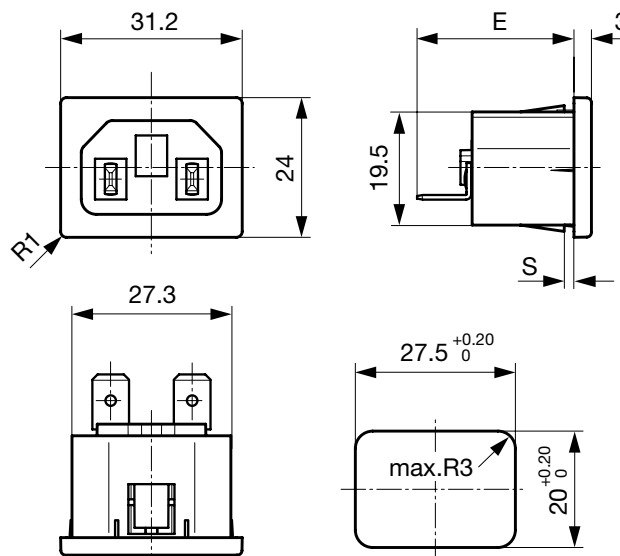
## Compliances

The product complies with following Guide Lines

Identification	Details	Initiator	Description
	<a href="#">CE declaration of conformity</a>	SCHURTER AG	The CE marking declares that the product complies with the applicable requirements laid down in the harmonisation of Community legislation on its affixing in accordance with EU Regulation 765/2008.
	RoHS	SCHURTER AG	EU Directive RoHS 2011/65/EU
	China RoHS	SCHURTER AG	The law SJ / T 11363-2006 (China RoHS) has been in force since 1 March 2007. It is similar to the EU directive RoHS.
	REACH	SCHURTER AG	On 1 June 2007, Regulation (EC) No 1907/2006 on the Registration, Evaluation, Authorization and Restriction of Chemicals 1 (abbreviated as "REACH") entered into force.
	MicrositeV-Lock	SCHURTER AG	V-Lock system are based on a matching plug-dose combination. The connector is equipped with a notch intended for use with the latching cordset. The cord latching system prevents against accidental removal of the cordset.

## Dimensions [mm]

Quick connect or solder terminals



E: Quick-connect terminals 4.8x0.8 mm: 27.0 mm

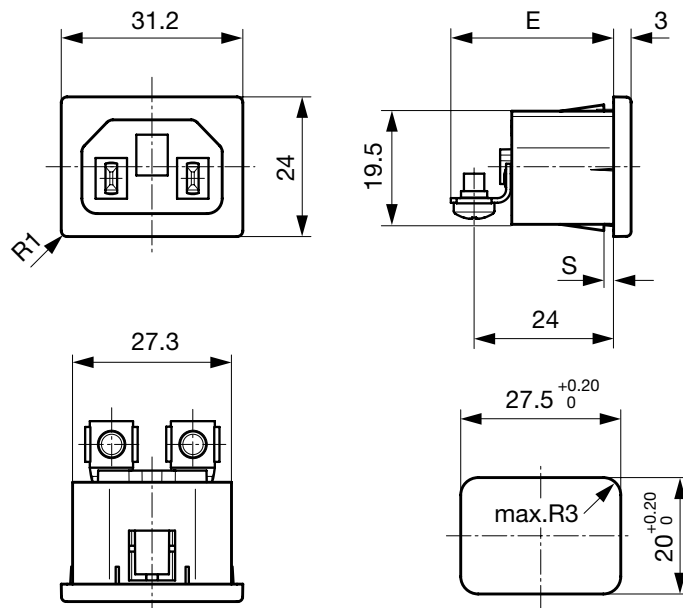
E: Quick-connect terminals 6.3x0.8 mm: 28.0 mm

E: Solder terminals short: 22.5 mm

E: Solder terminals long: 26.2 mm

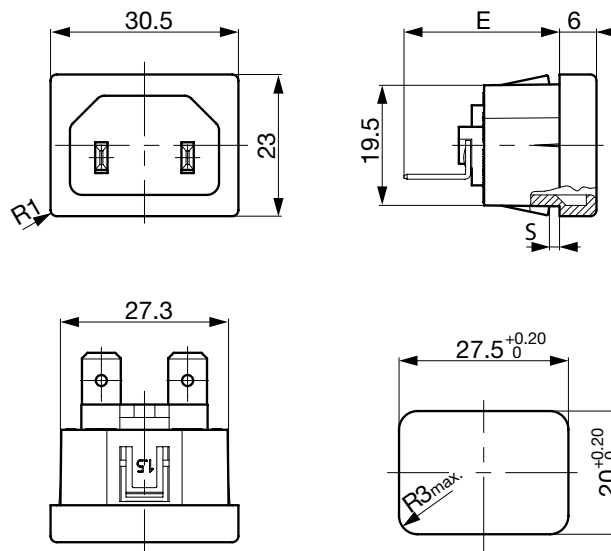
Dimension "S" please ref. to table order code

Screw terminals



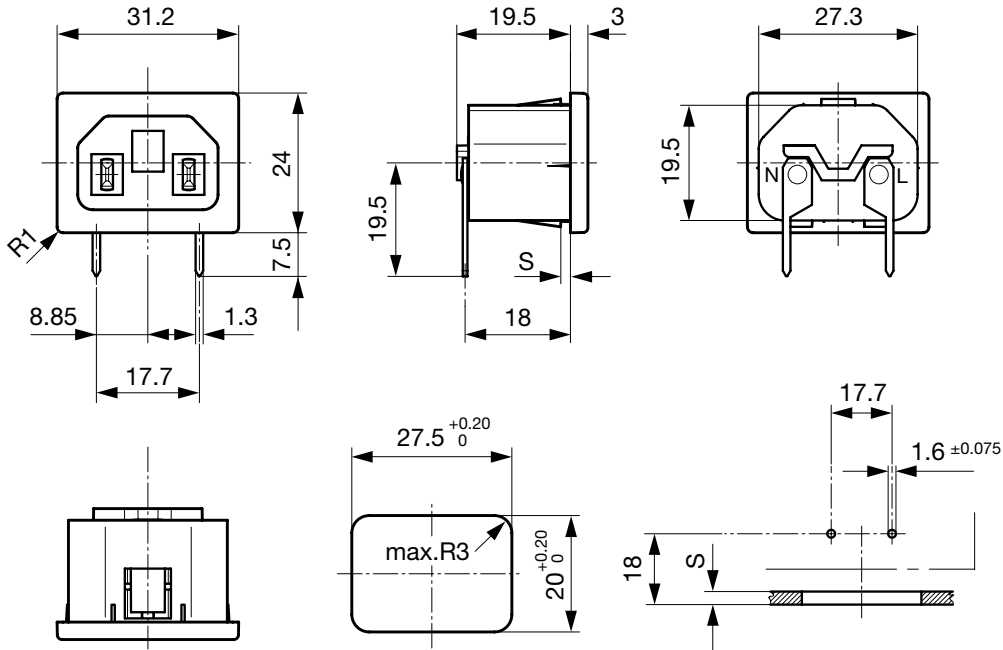
E: Screw terminals M3.5: 28.0 mm  
 Dimension "S" please ref. to table order code

Quick-connect or solder terminals, housing for V-Lock



E: Quick-connect terminals 4.8x0.8 mm: 23.8 mm  
 E: Quick-connect terminals 6.3x0.8 mm: 24.8 mm  
 E: Solder terminals short: 19.3 mm  
 E: Solder terminals long: 23.0 mm  
 Dimension "S" please ref. to table order code

PCB terminals



Dimension "S" please ref. to table order code

Config. Code

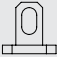
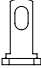



6015 - H - A B C 0 - D - E G O

The characters are placeholders for the correspondingly keys of selections from the key tables.

6015 - H - A B C 0 - D - E G O = Type

Type	Configuration key
protection class II	X

6015 - H - A B C 0 - D - E G O = Terminals

Terminal L	Configuration key
short solder terminal (L = 4.8 mm) 	2
long solder terminal (L = 8.5 mm) 	3
PCB-terminal standard (additional solder terminal) 	4
Blade terminal (4.8 x 0.8 mm) 	8
Blade terminal (6.3 x 0.8 mm) 	9
screw terminal	A

6015 - H - A B C 0 - D - E G O = Terminals

Terminal N	Configuration key
short solder terminal (L = 4.8 mm)	2
long solder terminal (L = 8.5 mm)	3
PCB-terminal standard (additional solder terminal)	4
Blade terminal (4.8 x 0.8 mm)	8
Blade terminal (6.3 x 0.8 mm)	9
screw terminal	A

Symbols similar as in table A

6015 - H - A B C 0 - D - E G O = Terminals

Terminal Ground	Configuration key
without terminal	0

Symbols similar as in table A

6015 - H - A B C 0 - D - E G O = Color

Color	Configuration key
Black	A

Color	Configuration key
Grey	B

6015 - H - A B C 0 - D - E G O = Style

Style	Configuration key
snap-in (s=panel thickness)	4

6015 - H - A B C 0 - D - E G O = Dimension S

Dimension "S"	Configuration key
08	
10	

The dimension "S" is displayed in ( $1/10$  mm). This information is also valid for the order code

Dimension "S"	Configuration key
12	
15	
20	
25	
30	
40	

The dimension "S" is displayed in ( $1/10$  mm). This information is also valid for the order code

6015 - H - A B C 0 - D - E G O = Features

Features	Configuration key
without V-Lock	
V-Lock	V

### All Variants

Terminals L / N	Color	Panel Thickness s [1/10 mm]	Features	Config. Code	Order Number
short solder terminal (L = 4.8 mm)	Black	15	without V-Lock	6015-X-2200-A-415	<a href="#">6162.0032</a>
short solder terminal (L = 4.8 mm)	Black	30	without V-Lock	6015-X-2200-A-430	<a href="#">6162.0033</a>
Blade terminal (4.8 x 0.8 mm)	Black	15	without V-Lock	6015-X-8800-A-415	<a href="#">6162.0035</a>
Blade terminal (4.8 x 0.8 mm)	Black	20	without V-Lock	6015-X-8800-A-420	<a href="#">6162.0036</a>
Blade terminal (4.8 x 0.8 mm)	Black	25	without V-Lock	6015-X-8800-A-425	<a href="#">6162.0037</a>
Blade terminal (6.3 x 0.8 mm)	Black	30	without V-Lock	6015-X-9900-A-430	<a href="#">6162.0039</a>

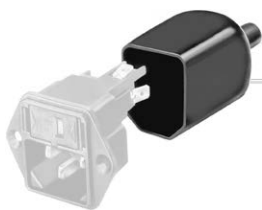
The listed variants should be available from stock. Other versions on request [www.schurter.com/contact](http://www.schurter.com/contact)

Availability for all products can be searched real-time: <https://www.schurter.com/en/Stock-Check/Stock-Check-SCHURTER>

**Packaging unit** 50 Pcs

### Accessories

#### Description



Assorted Covers  
Rear Cover

## Mating Outlets/Connectors

## Category / Description

[Connector Overview complete](#)

4782 Mounting: Power Cord, 3 x 1 mm <sup>2</sup> / 3 x 18 AWG, Cable, Connector: IEC C13	4782
4022 Mounting: Power Supply Cord, 3 x 1.5 mm <sup>2</sup> , Screw clamps, Connector: IEC C13	4022
4785 Mounting: Power Cord, 3 x 1 mm <sup>2</sup> / 3 x 18 AWG, Cable, Connector: IEC C13	4785
4300-06 Mounting: Power Cord, 3 x 1 mm <sup>2</sup> / 3 x 18 AWG, Cable, Connector: IEC C13	4300-06
4012 Mounting: Power Supply Cord, 3 x 1.5 mm <sup>2</sup> , Screw clamps, Connector: IEC C13	4012
<a href="#">Connector further types to 6015</a>	...

## Mating Outlets/Connectors shuttered

[Power Cord Overview complete](#)

VAC13KS, Overview, diverse Connector IEC C13, cord end:	VAC13KS
Power cord with IEC connector C17, V-Lock, straight	VAC17KS
<a href="#">Power Cord further types to 6015</a>	