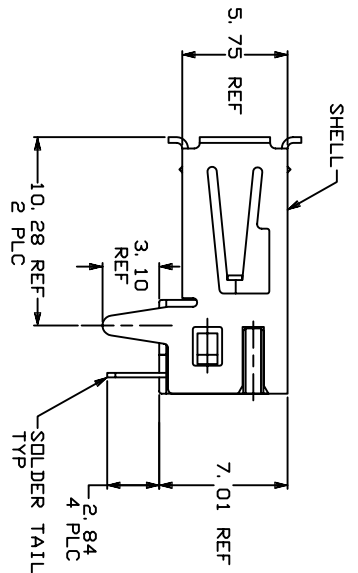
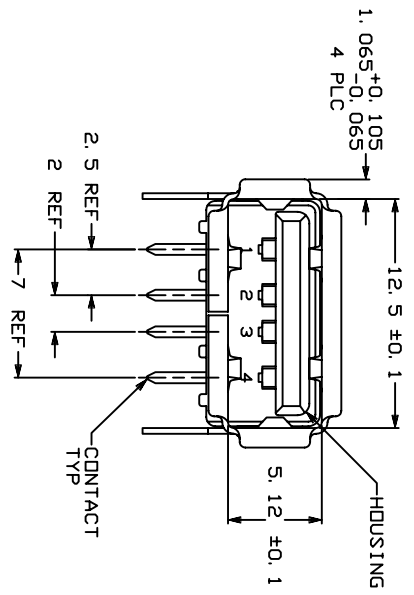
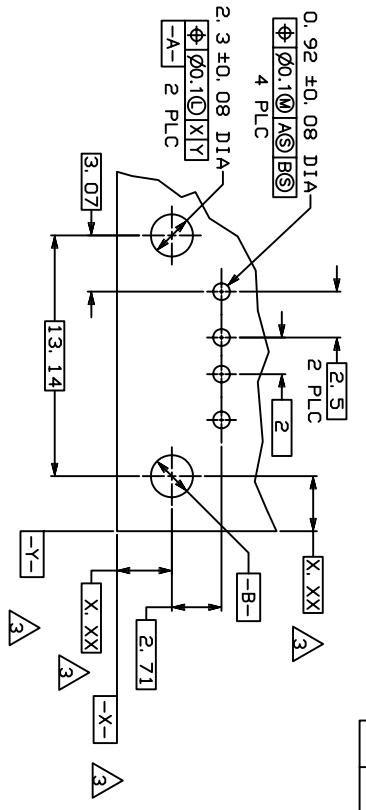


PC BOARD MOUNTING DIMENSIONS



△ MATERIAL:
SHELL & CONTACTS- COPPER ALLOY.
HOUSING- UL 94V-0 RATED, THERMOPLASTIC. COLOR SEE TABLE.

△ PLATING:
CONTACTS- 0.076um MINIMUM GOLD OVER 0.76um MINIMUM PALLADIUM-NICKEL ON MATING AREA.
3.8um MINIMUM MATTE TIN ON SOLDER TAILS.
BOTH OVER 1.27um MINIMUM NICKEL.
CONTACT ALTERNATE PLATING: 0.76um MIN GOLD ON MATING AREA, 3.80um MIN MATTE TIN ON SOLDER TAILS, BOTH OVER 1.27um MIN NICKEL.
SHELL: 2-5um MINIMUM BRIGHT TIN

△ DATUM AND BASIC DIMENSIONS ESTABLISHED BY CUSTOMER. RECOMMENDED PC BOARD THICKNESS OF 1.57.

YES	NATURAL	6364372-2
NO	BLACK	6364372-1
HIGH TEMPERATURE COMPATIBLE	HOUSING COLOR	PART NUMBER

THIS DRAWING IS A CONTROLLED DOCUMENT.			
DATE	REV	DESCRIPTION	DATE
12/20/04	00	REVISED FB00-0215-04	18/05/04
12/20/04	01		02/11/05
12/20/04	02		
12/20/04	03		
12/20/04	04		
12/20/04	05		
12/20/04	06		
12/20/04	07		
12/20/04	08		
12/20/04	09		
12/20/04	10		
12/20/04	11		
12/20/04	12		
12/20/04	13		
12/20/04	14		
12/20/04	15		
12/20/04	16		
12/20/04	17		
12/20/04	18		
12/20/04	19		
12/20/04	20		
12/20/04	21		
12/20/04	22		
12/20/04	23		
12/20/04	24		
12/20/04	25		
12/20/04	26		
12/20/04	27		
12/20/04	28		
12/20/04	29		
12/20/04	30		
12/20/04	31		
12/20/04	32		
12/20/04	33		
12/20/04	34		
12/20/04	35		
12/20/04	36		
12/20/04	37		
12/20/04	38		
12/20/04	39		
12/20/04	40		
12/20/04	41		
12/20/04	42		
12/20/04	43		
12/20/04	44		
12/20/04	45		
12/20/04	46		
12/20/04	47		
12/20/04	48		
12/20/04	49		
12/20/04	50		
12/20/04	51		
12/20/04	52		
12/20/04	53		
12/20/04	54		
12/20/04	55		
12/20/04	56		
12/20/04	57		
12/20/04	58		
12/20/04	59		
12/20/04	60		
12/20/04	61		
12/20/04	62		
12/20/04	63		
12/20/04	64		
12/20/04	65		
12/20/04	66		
12/20/04	67		
12/20/04	68		
12/20/04	69		
12/20/04	70		
12/20/04	71		
12/20/04	72		
12/20/04	73		
12/20/04	74		
12/20/04	75		
12/20/04	76		
12/20/04	77		
12/20/04	78		
12/20/04	79		
12/20/04	80		
12/20/04	81		
12/20/04	82		
12/20/04	83		
12/20/04	84		
12/20/04	85		
12/20/04	86		
12/20/04	87		
12/20/04	88		
12/20/04	89		
12/20/04	90		
12/20/04	91		
12/20/04	92		
12/20/04	93		
12/20/04	94		
12/20/04	95		
12/20/04	96		
12/20/04	97		
12/20/04	98		
12/20/04	99		
12/20/04	100		