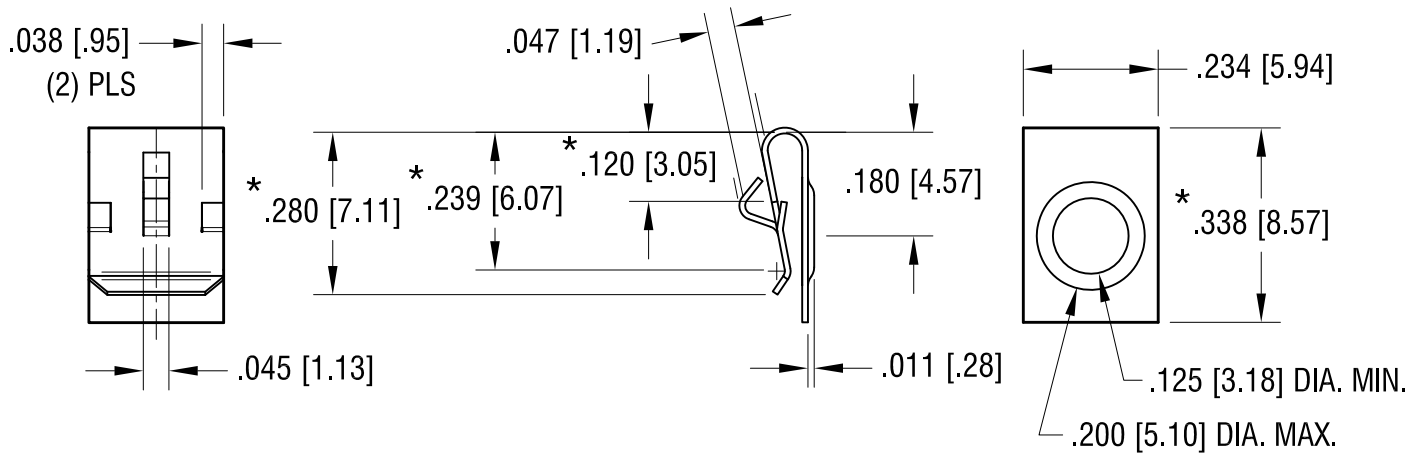


THIS DOCUMENT IS THE PROPERTY OF  
KEYSTONE ELECTRONICS CORP. AND  
SHALL NOT BE REPRODUCED, DISTRIBUTED  
OR USED AS A BASIS FOR MANUFACTURE  
WITHOUT PRIOR WRITTEN PERMISSION  
FROM KEYSTONE ELECTRONICS CORP.

**ACTUAL SIZE**



**NOTE:**

1. HEAT TREAT TO SPRING TEMPER
2. DESIGNED TO CLIP OVER PANELS  
FROM .060 [1.52] THRU .070 [1.78] TH'K.
3. \* DENOTES  $\pm .015$  [ $\pm .38$ ] TOLERANCE

DATE	DESCRIPTION	REV.
6.24.16	CHANGE AS PER ECR 16-030	D
8.26.13	CHANGE AS PER ECN13-067	C
5.20.03	CHANGE AS PER ECN 03-039	B
8.10.00	CHANGE AS PER ECN 00-080	A

<b>KEYSTONE ELECTRONICS CORP.</b>			
www.keyelco.com • ASTORIA, N.Y. 11105-2017 • Tel (718) 956-8900			
PART NAME		SINGLE 'AAA'-'AAAA' CONTACT	
MATERIAL		.010 [.25] TH'K SPRING STEEL	
FINISH		DRN BY	DATE
NICKEL PLATE		BOONE	5.24.99
		APP'D	SCALE
		LN	3X
TOLERANCES	INCH [MM]	CODE	DWG NO.
DECIMAL	$\pm .010$ [ $\pm 0.25$ ]	C	<b>238</b>
ANGULAR	$\pm 1^\circ$		
UNLESS OTHERWISE SPECIFIED			