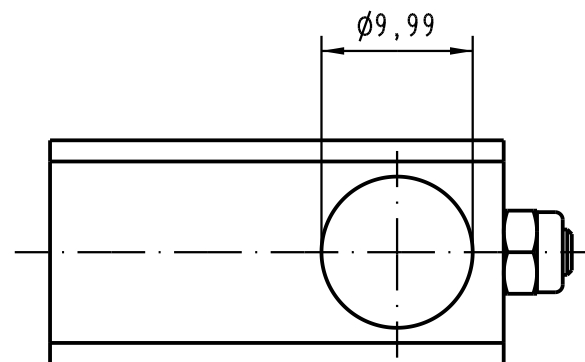
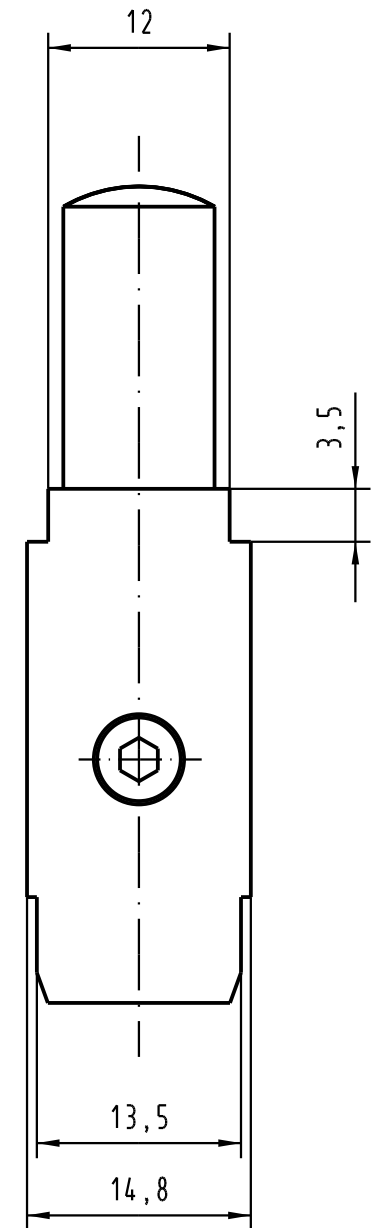
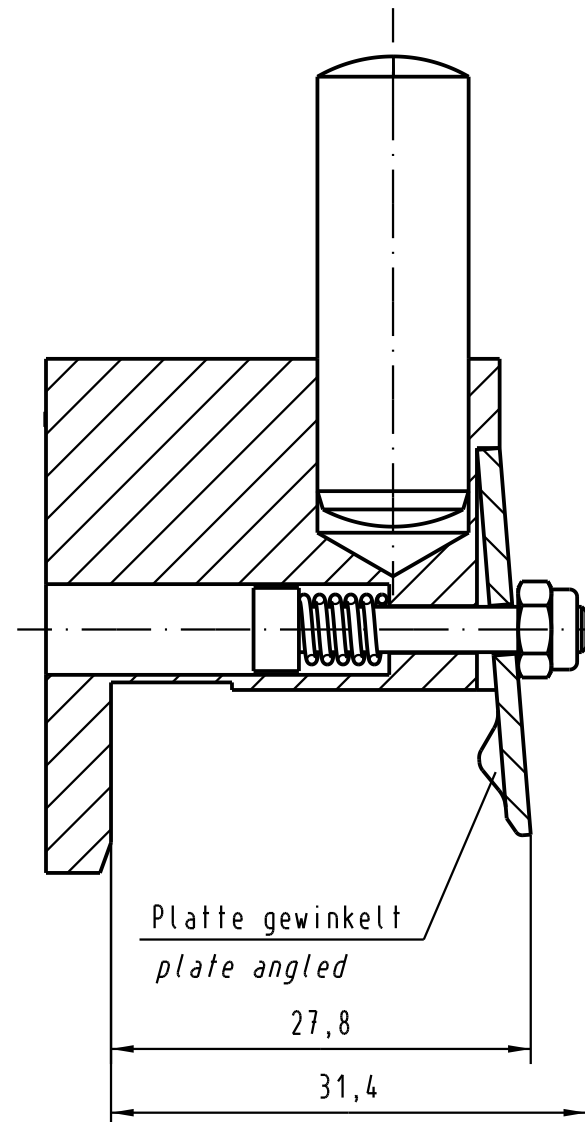
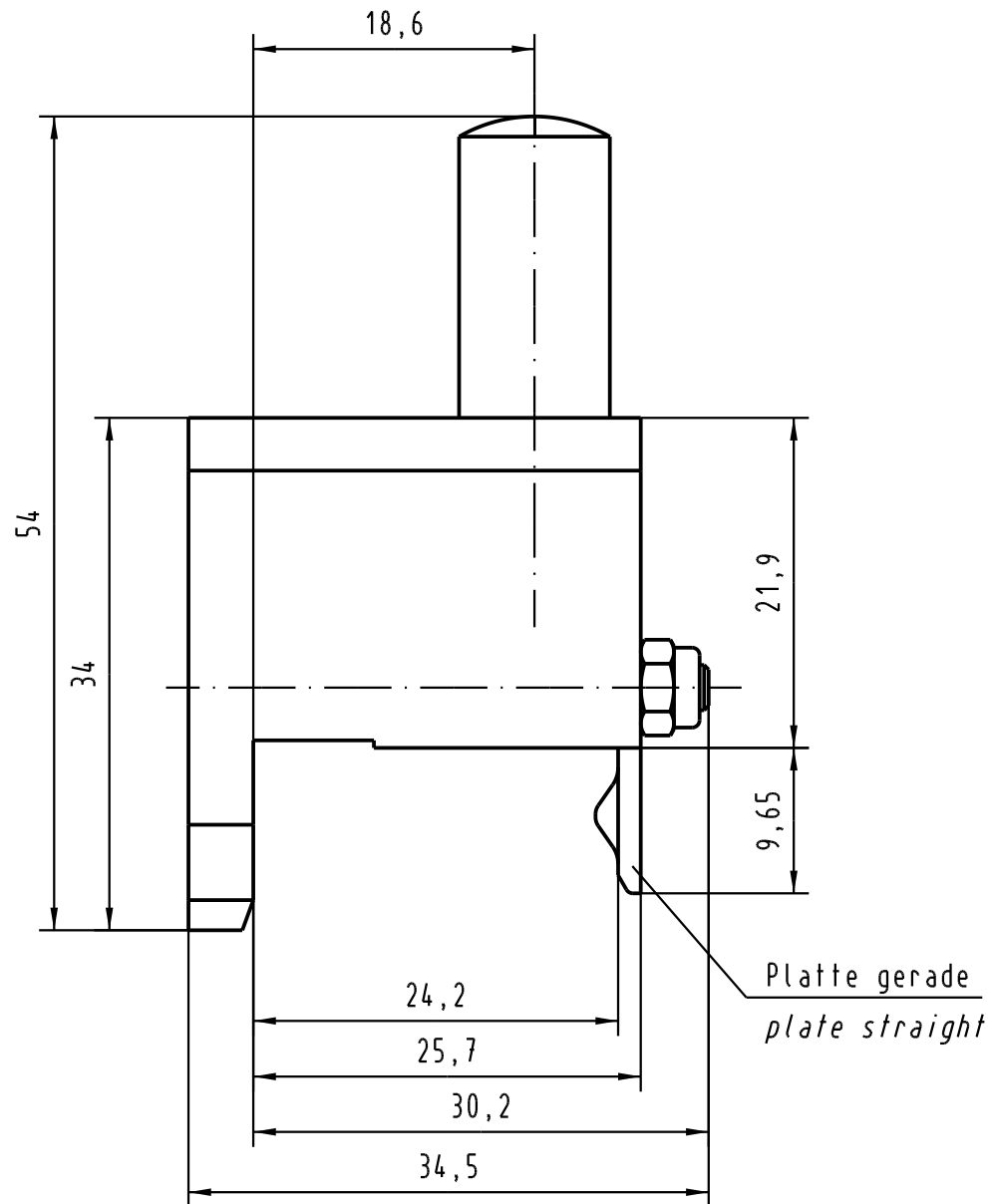
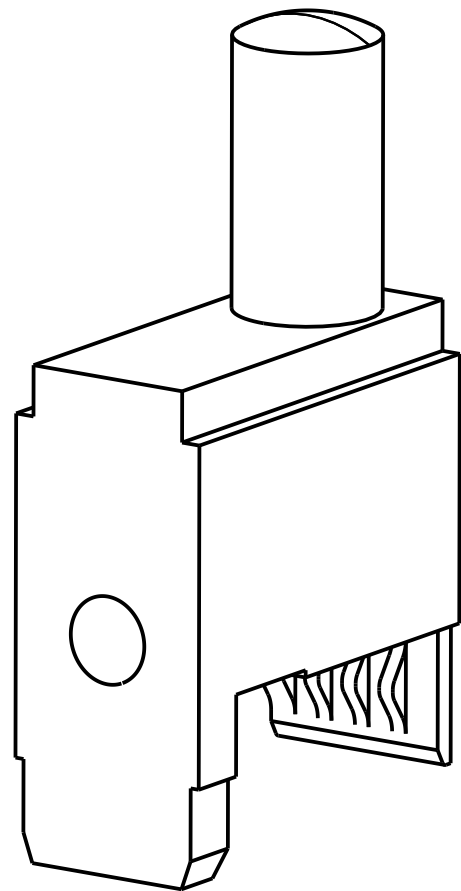


Alle Rechte vorbehalten. All rights reserved



|   |      |                   |  |                |   |   |
|---|------|-------------------|--|----------------|---|---|
| All Dimensions in mm<br>Original Size DIN A 3 |      | Techn. Character. |  |                | Nicht tolerierte Maß / Free size tolerances |   |
|   |      |                   | Dat.   | Name           | Maßstab / Scale<br><b>2:1</b>               | <b>Oberwerkzeug / Top Tool</b><br><i>har-bus HM power, male, angled</i> |
|   |      |                   | Detail.  | 21.03.06   Wae |   |   |
|   |      |                   | Insp.  | 27.03.06   Hä  |   |   |
|   |      |                   | Stand.   |                |   |   |
| 33386   |      |                   | HARTING Electronics GmbH & Co. KG<br>D-32339 ESPELKAMP |                |   | <b>TB 17 99 000 0102</b>  |
| Mod.  | Dat. | Name              |  |                |   |   |