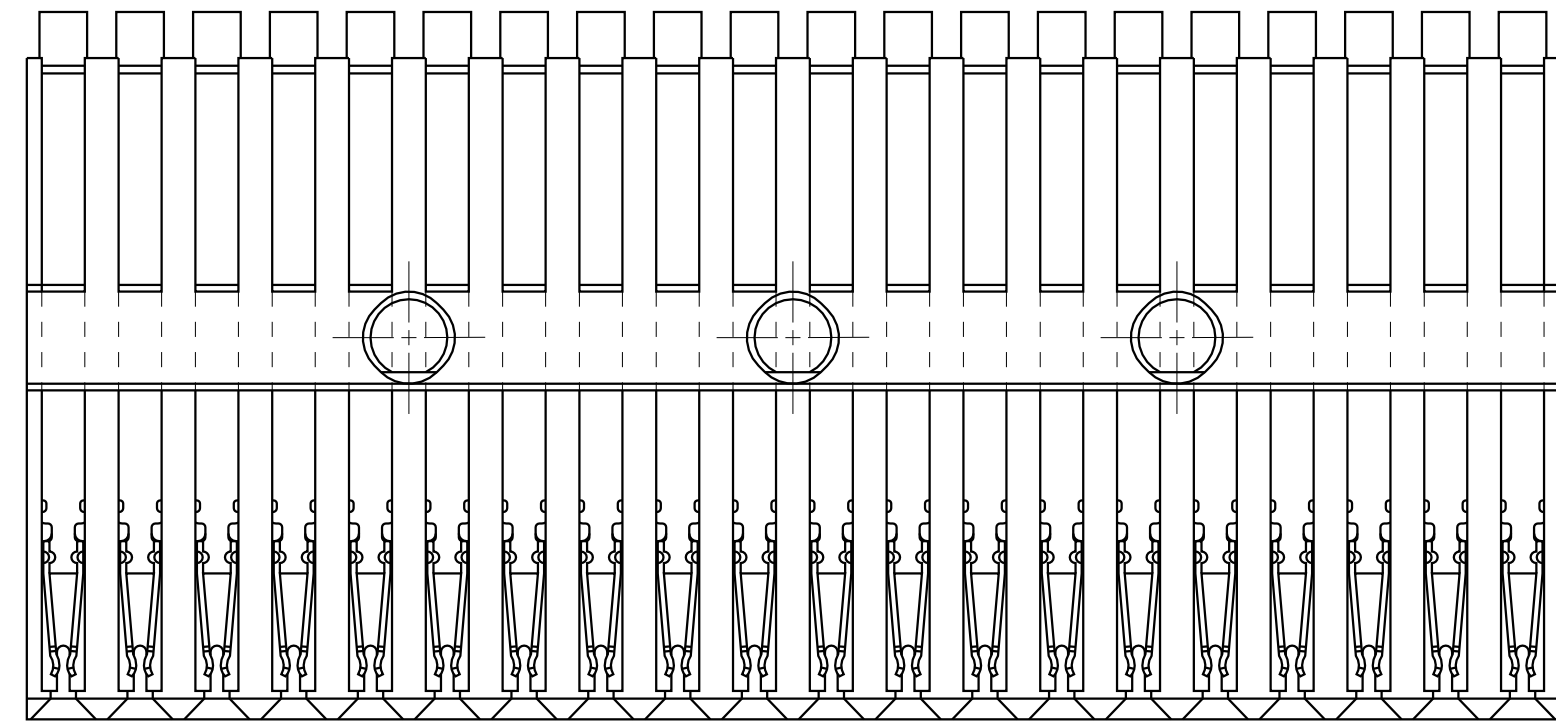
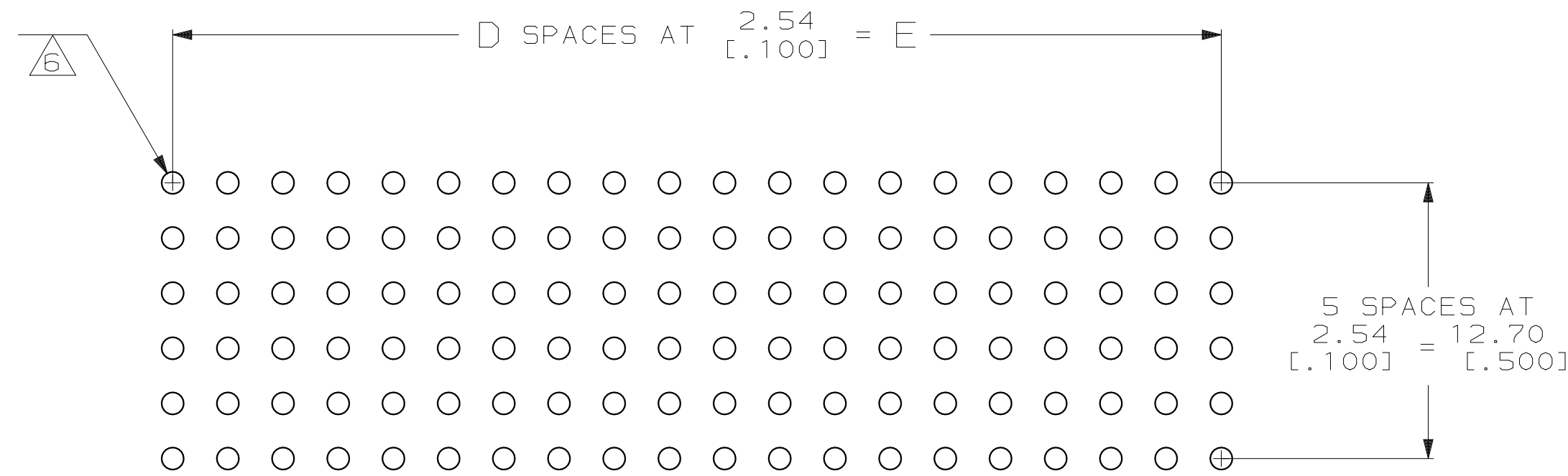
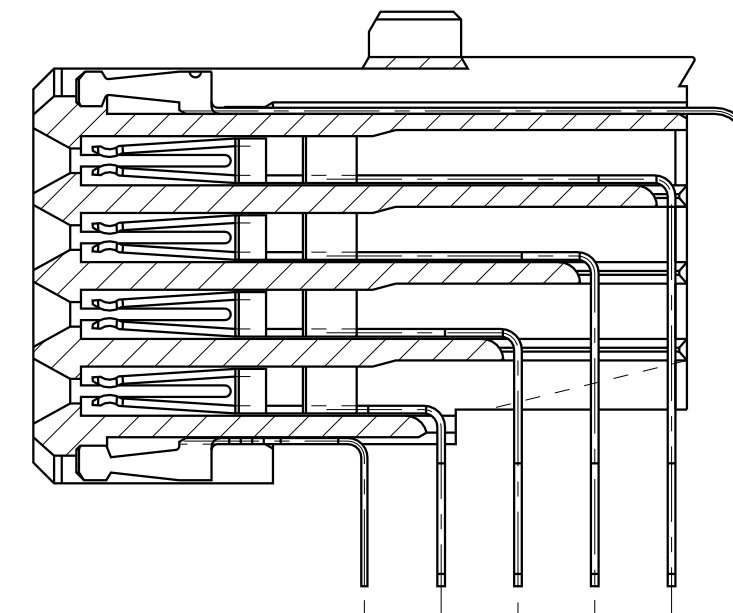
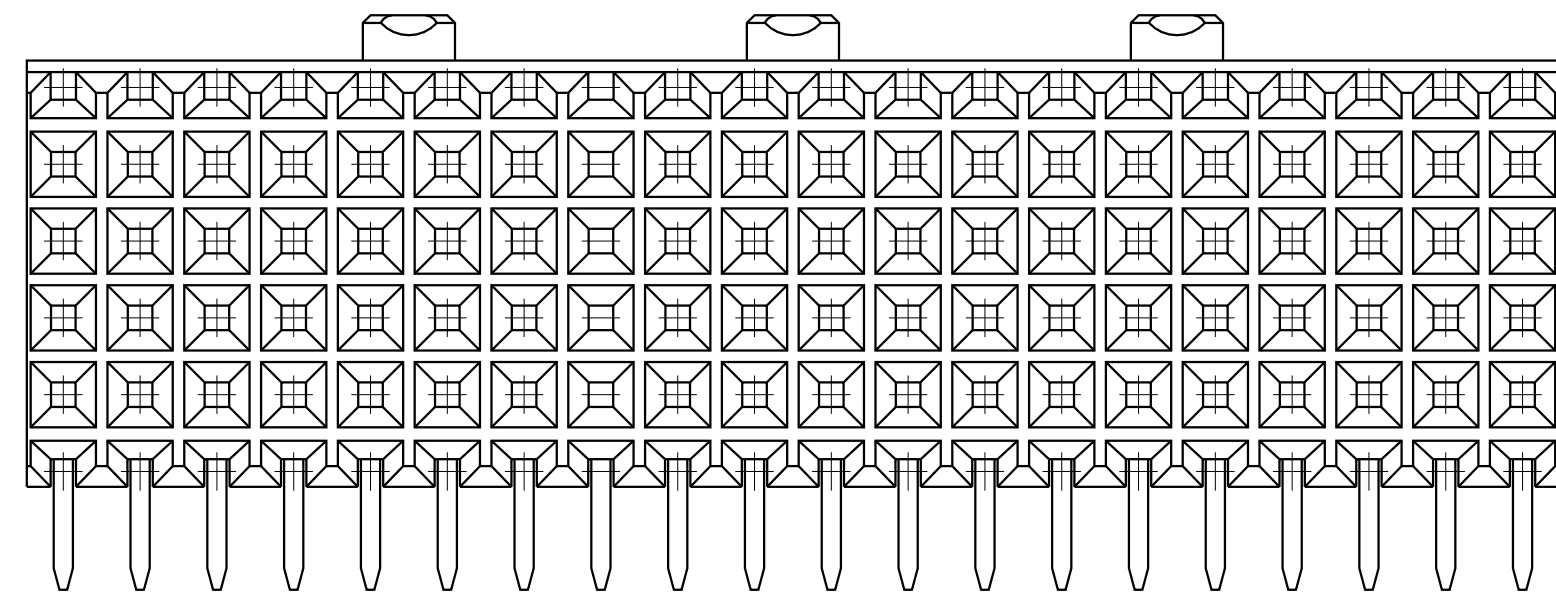


LOC		DIST		P		F		ZONE		LTR		REVISIONS			
AD	25											DESCRIPTION	DATE	APPD	
												A	ENC AD4962	-	-



- ① HOUSING MATERIAL: GLASS FILLED POLYESTER, COLOR: BLACK.
- ② CONTACT MATERIAL: PHOSPHOR BRONZE.
- ③ CONTACT FINISH: 0.00127 [.000050] NICKEL UNDERPLATE ALL OVER. 0.00076 [.000030] GOLD PLATE IN CONTACT AREAS. TIN PLATE ON TAILS.
- ④ CONTACT FINISH: 0.00127 [.000050] NICKEL UNDERPLATE ALL OVER. 0.00076 [.000030] GOLD IN CONTACT AREAS AND LOWER 5.08 [.200] OF POSTS. GOLD FLASH ON REMAINDER.



RECOMMENDED P.C BOARD LAYOUT

48.26 [1.900]	19	58.09 [2.287]	120	535829-2
35.56 [1.400]	14	45.39 [1.787]	90	535829-1
E	D	A	POSN	PART NO

DO NOT SCALE PRINT. UNLESS SPECIFIED. DIMENSIONS IN mm [INCHES]. TOLERANCES - ON: 2 PLC DEC ± 0.12 [.005] 3 PLC DEC ± - ANGLES ± -		DR 12/21/90 R.K. SEIFRIED/UTA		AMP AMP Incorporated Harrisburg, PA 17105-3608	
MATERIAL		CHK 12/21/90 R. SEIFRIED			
FINISH		APPD 12/21/90 R. SEIFRIED			
SEE TABLE		APPD 12/21/90 R. SEIFRIED		NAME TBC PLUS RECEPTACLE ASSEMBLY, MODULAR CENTER MODULE FULLY LOADED	
APPLICATION SPEC		PRODUCT SPEC		DRAWING NO 535829	
WEIGHT		SCALE 4:1		SHEET 1 OF 1	

