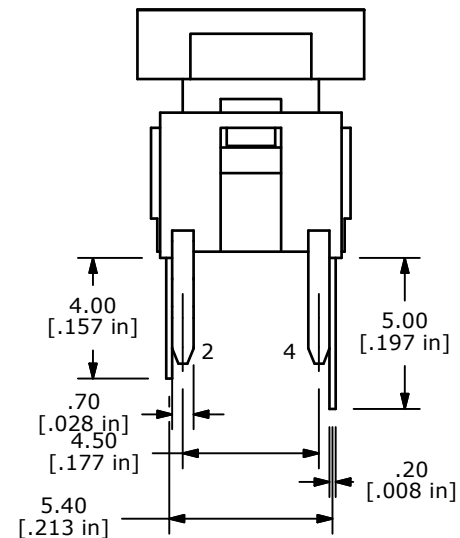
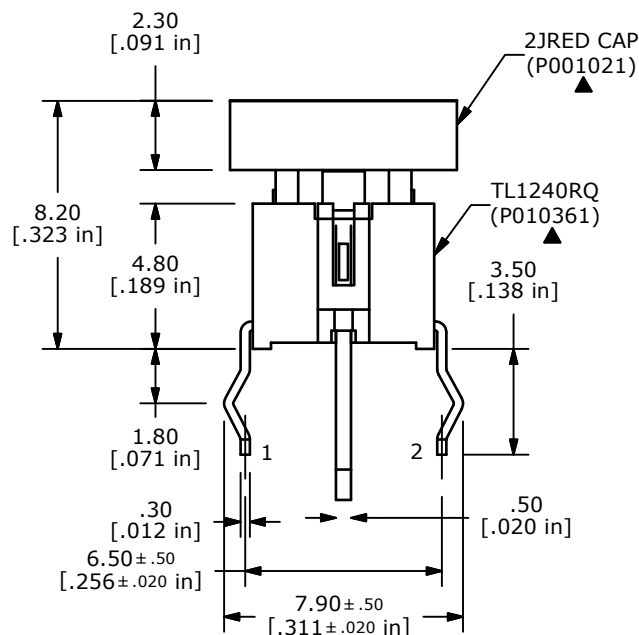
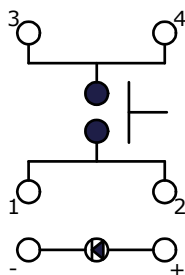


ISOMETRIC



- NOTES:
1. ALL DIMENSIONS IN MM
 2. GENERAL TOLERANCE: X.X=±0.4
X.XX=±0.25
 3. RATING: 50mA, 12VDC
 4. TRAVEL: 0.25 +0.2/0.1mm
 - ▲5. OPERATING FORCE: 160±50gf
 6. CONTACT RESISTANCE: 100mILLI-Ohms Max
 7. PACKAGING: TRAY
 8. CONTACT MATERIAL: SILVER
 9. 2002/95/EC (ROHS) COMPLIANT
 10. ▲DENOTES CRITICAL PARAMETER

LED SPECS	UNITS	YELLOW
FORWARD CURRENT	mA	20
FORWARD VOLTAGE	V	2.1-2.6
LUMINOUS INTENSITY	MCD	45



REV	PCR NO	DESCRIPTION	DATE	BY
B	19550	DRAWING UPDATE / CLEAN-UP	12/28/10	BGL
A	16784	RELEASED FOR PRODUCTION	12/21/06	TN

TITLE TL1240RQ2JRED				
SCALE	DATE	DR	DWG	REV
4:1	12/21/2006	TN	XP0294A	B

THE INFORMATION CONTAINED IN THIS DOCUMENT IS PROPRIETARY TO E-SWITCH AND IS NOT TO BE COPIED OR TRANSFERRED