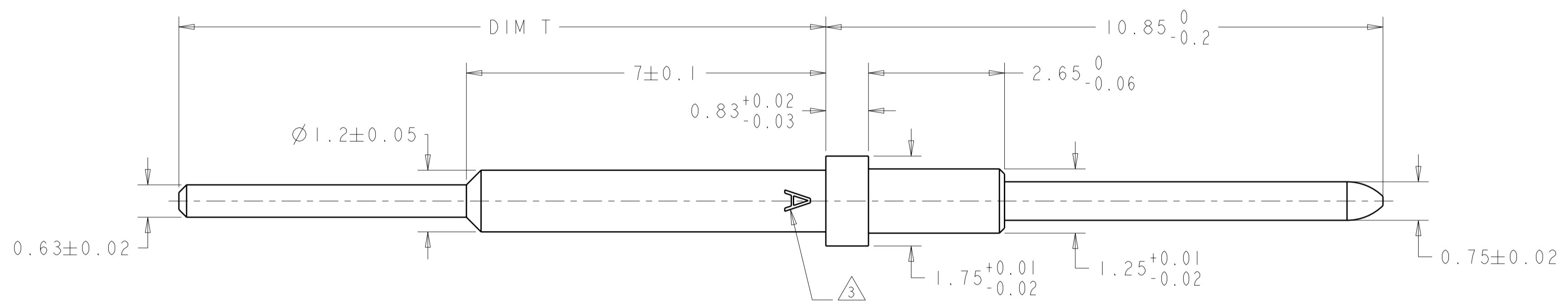


THIS DRAWING IS UNPUBLISHED. RELEASED FOR PUBLICATION
 © COPYRIGHT BY ALL RIGHTS RESERVED.

LOC		DIST		REVISIONS			
P	LTR	DESCRIPTION	DATE	DWN	APVD		
	A	RELEASED PER ECO 12-001858	2-2-12	CT	MS		



- ① MAT'L: COPPER ALLOY
- ② FINISH GOLD PER ASTM B488 OVER NICKEL PER QQ-N-290 ON ENTIRE STOCK
- ③ OPTIONAL MARKINGS: LETTERS "A" OR "S", OR NONE.

4. THIS PRODUCT IS SOLD BY TYCO ELECTRONICS UNDER A LICENSE FROM RADIALL SA.

17.74±0.1	1738709-7
16.0±0.1	1738709-5
14.24±0.1	1738709-3
12.6±0.1	1738709-1
DIM T	PART NO.

THIS DRAWING IS A CONTROLLED DOCUMENT.		DWN BW	03FEB2005	STE TE Connectivity	
DIMENSIONS: mm		CHK JPM	03FEB2005		
TOLERANCES UNLESS OTHERWISE SPECIFIED:		APVD JPM	03FEB2005	NAME PIN CONTACT, SIZE 22, SOLDER LEAD, STRAIGHT, GPR	
0 PLC ± 1 PLC ± 2 PLC ± 3 PLC ± 4 PLC ± ANGLES ± FINISH		PRODUCT SPEC - APPLICATION SPEC -		SIZE	RESTRICTED TO
MATERIAL		WEIGHT		CAGE CODE	DRAWING NO
① -		② -		A200779	1738709
CUSTOMER DRAWING				SCALE 15:1	SHEET 1 OF 1 REV A