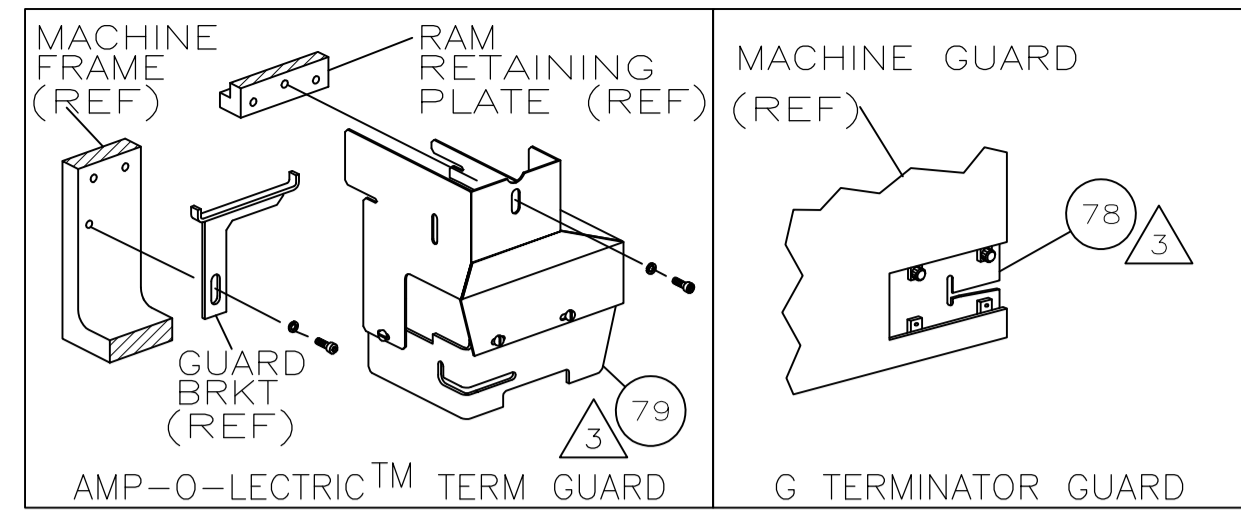
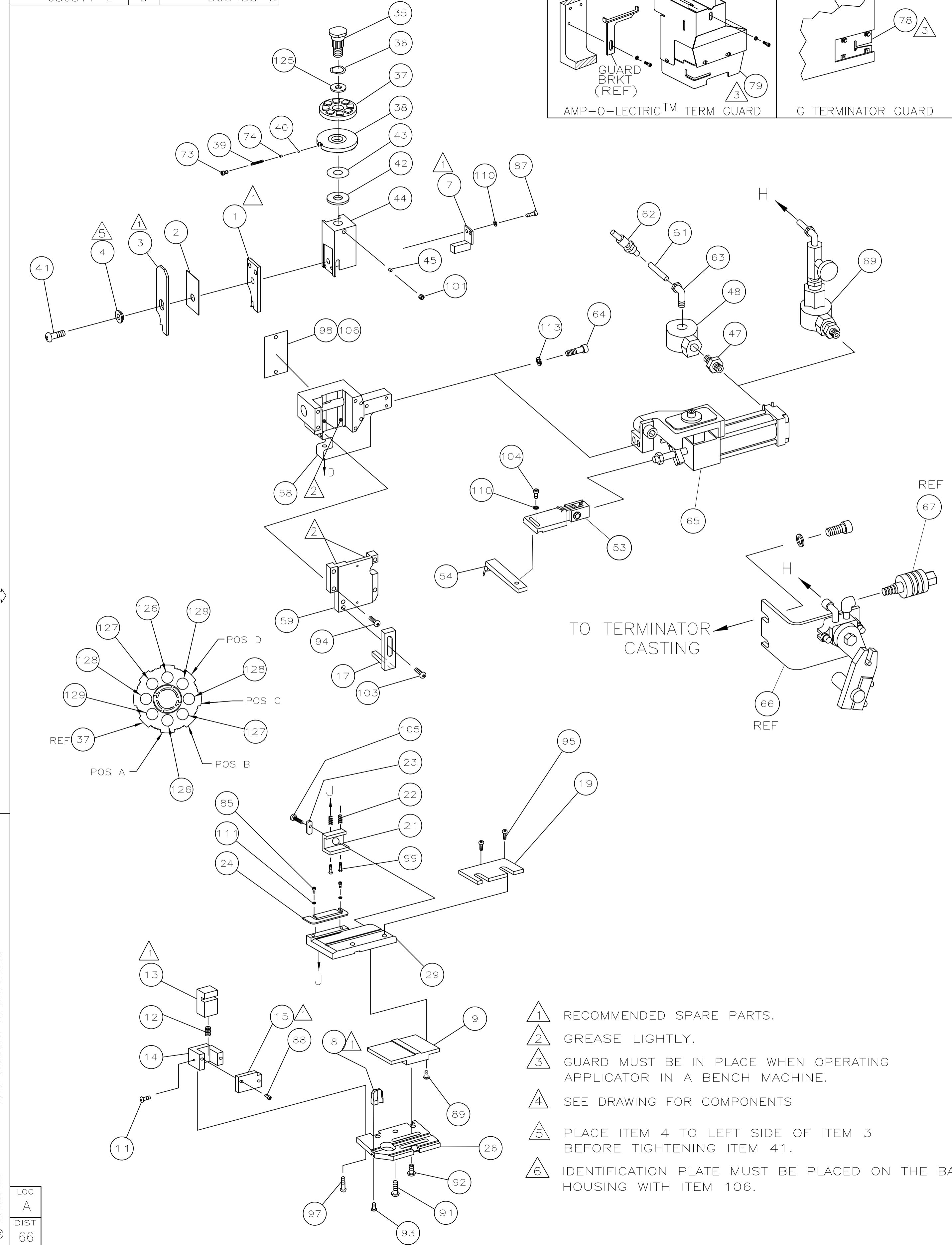


PART NUMBER	REV	FIRST USED
680311-1	D	354500-1
680311-2	D	565435-5



PAD LTR		CRIMP HEIGHT		WIRE SIZE
A	.049 ±.002	[1.25 ±0.05mm]		0.75mm <sup>2</sup>
B	.046 ±.002	[1.17 ±0.05mm]		0.5mm <sup>2</sup>
C	.040 ±.002	[1.00 ±0.05mm]		0.37mm <sup>2</sup>
D	.038 ±.002	[0.96 ±0.05mm]		0.25mm <sup>2</sup>
CRIMP	SIZE	TYPE	RANGE	
WIRE	.070 [1.78mm]	F	0.25mm <sup>2</sup> -0.75mm <sup>2</sup>	
INSUL	.090 [2.29mm]	0	-	

QTY	REV	U/M	DWG SIZE	PART NO	DESCRIPTION	ITEM NO
1	-	-	-	4-354779-2	PIN, WIRE DISC (.3220)D	129
2	2	-	C	4-354779-2	PIN, WIRE DISC (.3200)C	128
2	2	-	C	3-354779-0	PIN, WIRE DISC (.3140)B	127
2	2	-	C	2-354779-4	PIN, WIRE DISC (.3110)A	126
1	1	-	A	986950-1	WASHER, FLAT PRECISION	125
1	1	-	A	217238-1	GENERAL INSTRUCTION PACKAGE	124
1	1	-	-	4088039	EF APPL INST 408-8039	123
2	2	-	A	21024-5	WASHER, LOCK(#10)AIR ASSY	113
2	2	-	A	21024-2	WASHER, LOCL(NO.4)STRIP GUI	111
6	6	-	A	21024-4	WASHER, LOCK(NO.8)SHEAR BL	110
2	2	-	A	21018-4	NUT, HEX(4-40)DRAG	108
AR	AR	-	A	982057-2	TAPE, POLYURETHANE FOAM	106
1	1	-	A	22353-8	SCR, SHLD(.187X.25)DRAG LEVER	105
1	1	-	A	2-22603-0	SCR, HEX HD(8-32X.31)FEED FINGER	104
2	2	-	A	2-21002-1	SCR, BHC(8-32X.38)STRIPPER	103
2	2	-	A	2-21006-6	SCR, SKT SET(4-40X.62)DRAG	102
1	1	-	A	21009-2	SCR, SKT SET(1/4-20X.25 )RAM	101
2	2	-	A	21017-2	SCR, DRIVE(#2X.19)ID PLATE	100
2	2	-	A	5-21006-6	SCR, BHC(10-32X.88)DRAG	99
1	1	-	B	461264-1	PLATE, IDENTIFICATION	98
2	2	-	A	2-21002-2	SCR, BHC(8-32X.50)HOLDER	97
2	2	-	A	2-21002-3	SCR, BHC(8-32X.62)R STRIP GUIDE	95
4	4	-	A	3-21002-0	SCR, BHC(10-32X.75)CAP	94
1	1	-	A	22733-8	SCR, BHC(8-32X.38 LW)ANVIL	93
4	4	-	A	3-21002-2	SCR, BHC(1/4-20X.38)ST GD PL	92
3	3	-	A	2-22733-8	SCR, BHC(1/4-20X.62)HSG	91
2	2	-	A	2-21002-6	SCR, BHC(10-32X.38)BLOCK	89
2	2	-	A	1-21000-8	SCR, SHC(#6-32X.25)S SHEAR PLATE	88
2	2	-	A	2-21000-6	SCR, SHC(8-32X.38)SLUG BLADE	87
2	2	-	A	1-21000-3	SCR, SHC(4-40X.25)STRIP GUIDE	85
1	-	-	A	1-455750-5	GUARD ASSY	79
-	REF	-	A	679532-1	INSERT, GUARD	78
1	1	-	A	690603-1	SPRING, ASSIST	74
1	1	-	A	23030-1	SCR, SKT CAP(6-32X.25)CP DSC	73
2	2	-	A	1-21000-3	SCR, SHC(4-40X.25)STRIP GUIDE	85
2	2	-	A	1-21000-8	SCR, SHC(#6-32X.25)S SHEAR PLATE	88
2	2	-	A	2-21000-6	SCR, SHC(8-32X.38)SLUG BLADE	87
2	2	-	A	1-21000-3	SCR, SHC(4-40X.25)STRIP GUIDE	85
1	1	-	B	5-458031-1	GUIDE, STRIP (REAR)	19
1	1	-	B	679428-2	STRIPPER	17
1	1	-	B	354905-1	PLATE, SHEAR (SIDE)	15
1	1	-	B	354906-1	HOLDER, SHEAR (SIDE)	14
1	1	-	C	679296-1	SHEAR, FLOAT (SIDE)	13
1	1	-	A	3-22280-3	SPRING, DRAG	22
1	1	-	B	690461-2	STOP, SHEAR	11
1	1	-	A2	356351-1	BLOCK, BASE	30
1	1	-	A2	356350-1	PLATE, STRIP GUIDE	29
1	1	-	A2	356355-1	PLATE, BASE	26
2	2	-	A	22354-8	DRAG, STUD	25
1	1	-	C	690438-1	GUIDE, STRIP (FRONT)	24
1	1	-	A	240793-1	LEVER, DRAG RELEASE	23
2	2	-	A	1-22284-0	SPRING, DRAG	22
1	1	-	A	240792-1	DRAG, TERMINAL	21
1	1	-	B	5-458031-1	GUIDE, STRIP (REAR)	19
1	1	-	B	679428-2	STRIPPER	17
1	1	-	B	354905-1	PLATE, SHEAR (SIDE)	15
1	1	-	B	354906-1	HOLDER, SHEAR (SIDE)	14
1	1	-	C	679296-1	SHEAR, FLOAT (SIDE)	13
1	1	-	A	3-22280-3	SPRING, DRAG	22
1	1	-	B	690461-2	STOP, SHEAR	11
1	1	-	A2	356351-1	BLOCK, BASE	30
1	1	-	D	679328-2	ANVIL	8
1	1	-	B	356420-1	DEPRESSOR, SIDE	7
1	1	-	B	1-238009-7	SPACER, BLOCK CRIMPER	4
1	1	-	C	679324-2	CRIMPER, INSULATION	3
1	1	-	B	662494-1	SPACER, CRIMPER	2
1	1	-	C	356636-1	CRIMPER, WIRE	1



- 1 RECOMMENDED SPARE PARTS.
- 2 GREASE LIGHTLY.
- 3 GUARD MUST BE IN PLACE WHEN OPERATING APPLICATOR IN A BENCH MACHINE.
- 4 SEE DRAWING FOR COMPONENTS
- 5 PLACE ITEM 4 TO LEFT SIDE OF ITEM 3 BEFORE TIGHTENING ITEM 41.
- 6 IDENTIFICATION PLATE MUST BE PLACED ON THE BACK OF THE APPLICATOR HOUSING WITH ITEM 106.

WIRE STRIP LENGTH	TERM APPL	SPEC	FEED	APPL INSTRUCTION	SET UP GAGE	LAYOUT
-	NONE		.550	408-8039	-	L1773

QTY	REV	U/M	DWG SIZE	PART NO	DESCRIPTION	ITEM NO
1	-	-	-	691668-1ST	GUARD, CHIP (REAR)	

QTY	REV	U/M	DWG SIZE	PART NO	DESCRIPTION	ITEM NO
1	-	-	-	691668-1ST	GUARD, CHIP (REAR)	