

DETAILS

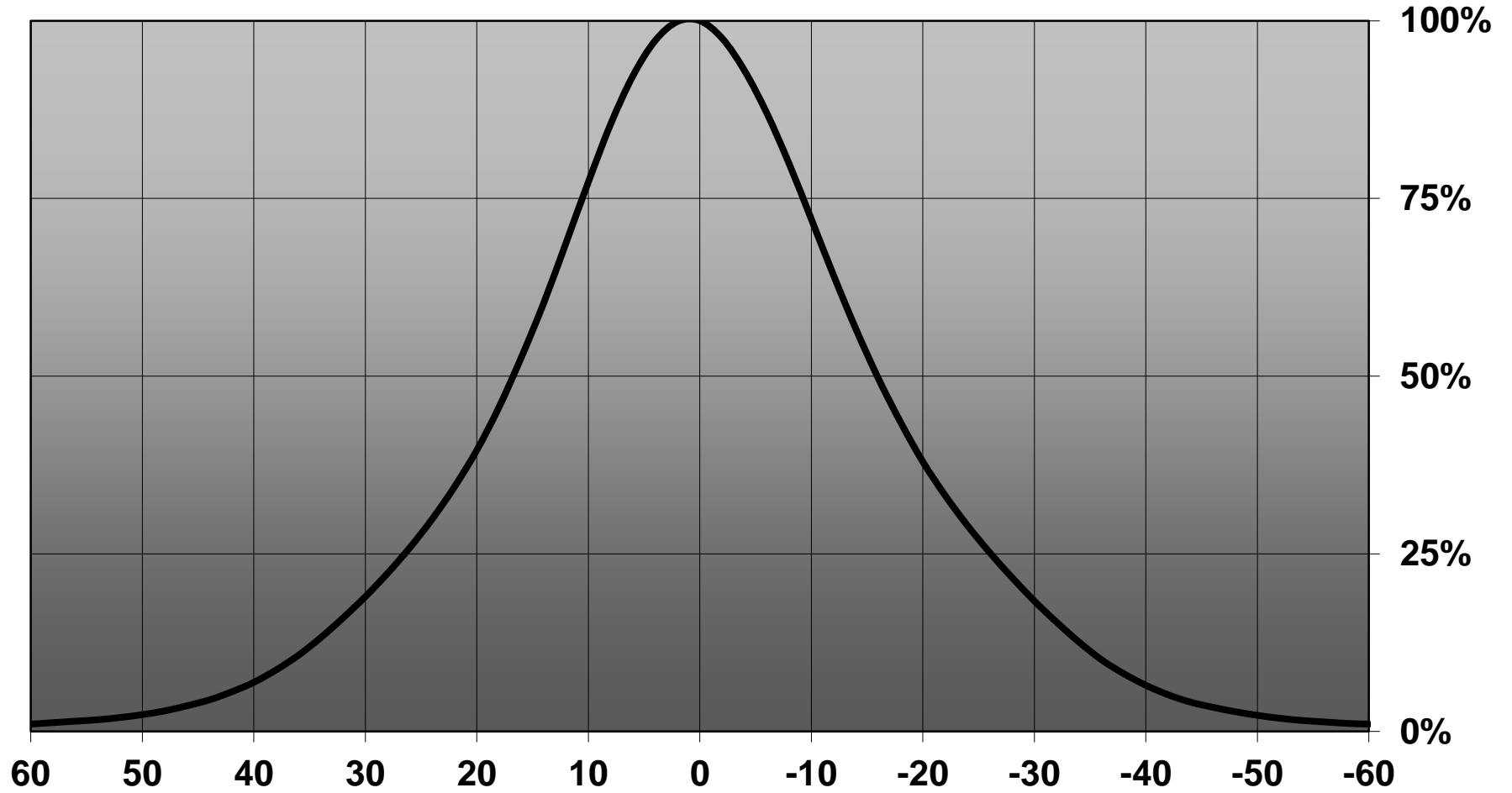
Product Number	CN13903_MIRELLA-50-M-PIN-RZL
Family	Mirella
Type	RefPack
Color	metal
Diameter	49,9 mm
Height	24 mm
Style	round
Optic Material	PC
Holder Material	
Fastening	screw, socket
Status	production ready
ROHS Compliant	Yes
Date Updated	22/04/2014



OPTICAL PROPERTIES

LED	Viewing	Light	Efficiency	cd/lm	Connector
	Angle	Beam			
XM-L RGB	37 deg	Medium	83 %	1.500	-
XHP50	37 deg	Medium	83 %	1.400	-
LUXEON Z RGB	31 deg	Medium	83 %	1.700	-
LUXEON C RGBW	39 deg	Medium	74 %	1.220	-
Ostar-SMT RGB	34 deg	Medium	83 %	1.600	-
F50360 (RGB)	33 deg	Medium	82 %	1.810	-

Relative intensity of CN13903_MIRELLA-50-M-PIN-RZL_(F50360 RGB)



D

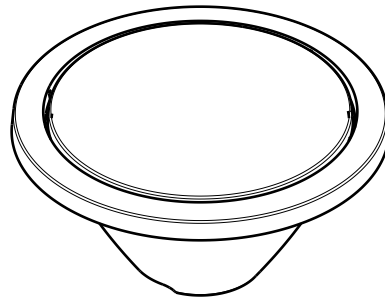
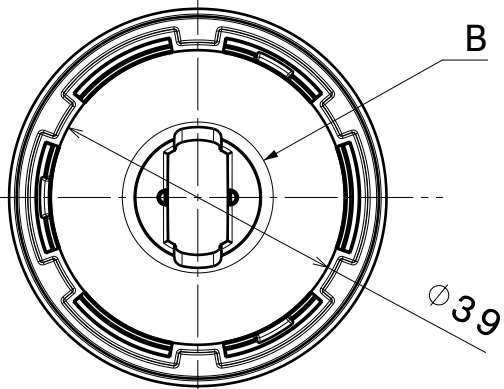
C

B

A

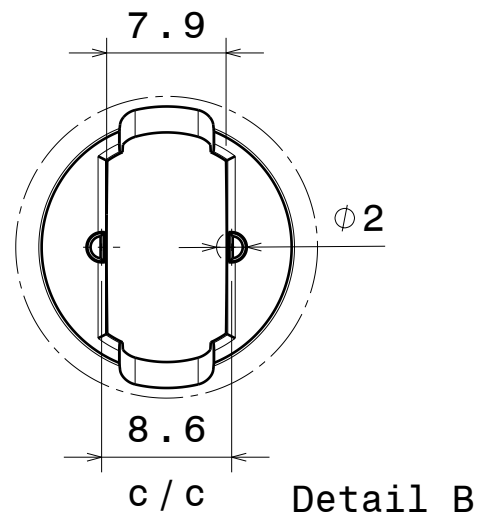
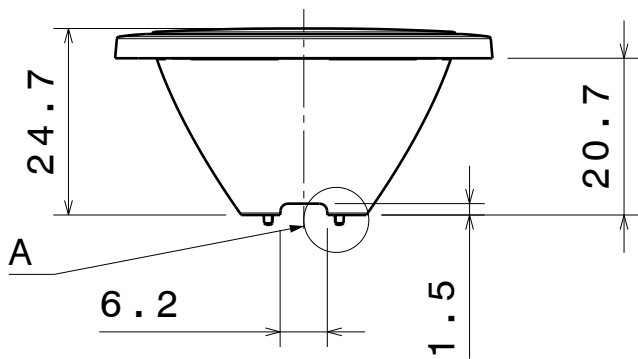
4

4



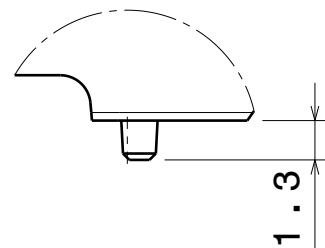
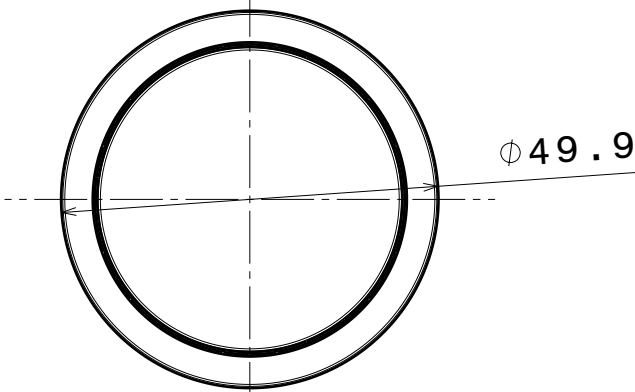
3

3



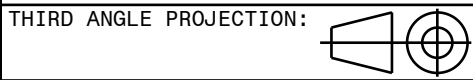
2

2



Tolerances if not otherwise shown
 According to DIN ISO 2768-1
 Linear measures:
 Up to 30mm class M, otherwise class C.
 According to DIN ISO 2768-2
 Form and position: class L

LEDiL LediL Oy
 Salorankatu 10
 FIN 24240 SALO
 Finland



DRAWING TITLE
Datasheet MIRELLA-PIN-RZL

This drawing is the property of LEDiL Oy. It may not be reproduced, copied or communicated without a written agreement with LEDiL Oy."

SIZE	PART NUMBER		
A4	-		

SCALE	1:1	WEIGHT	-	SHEET	1/1
-------	-----	--------	---	-------	-----

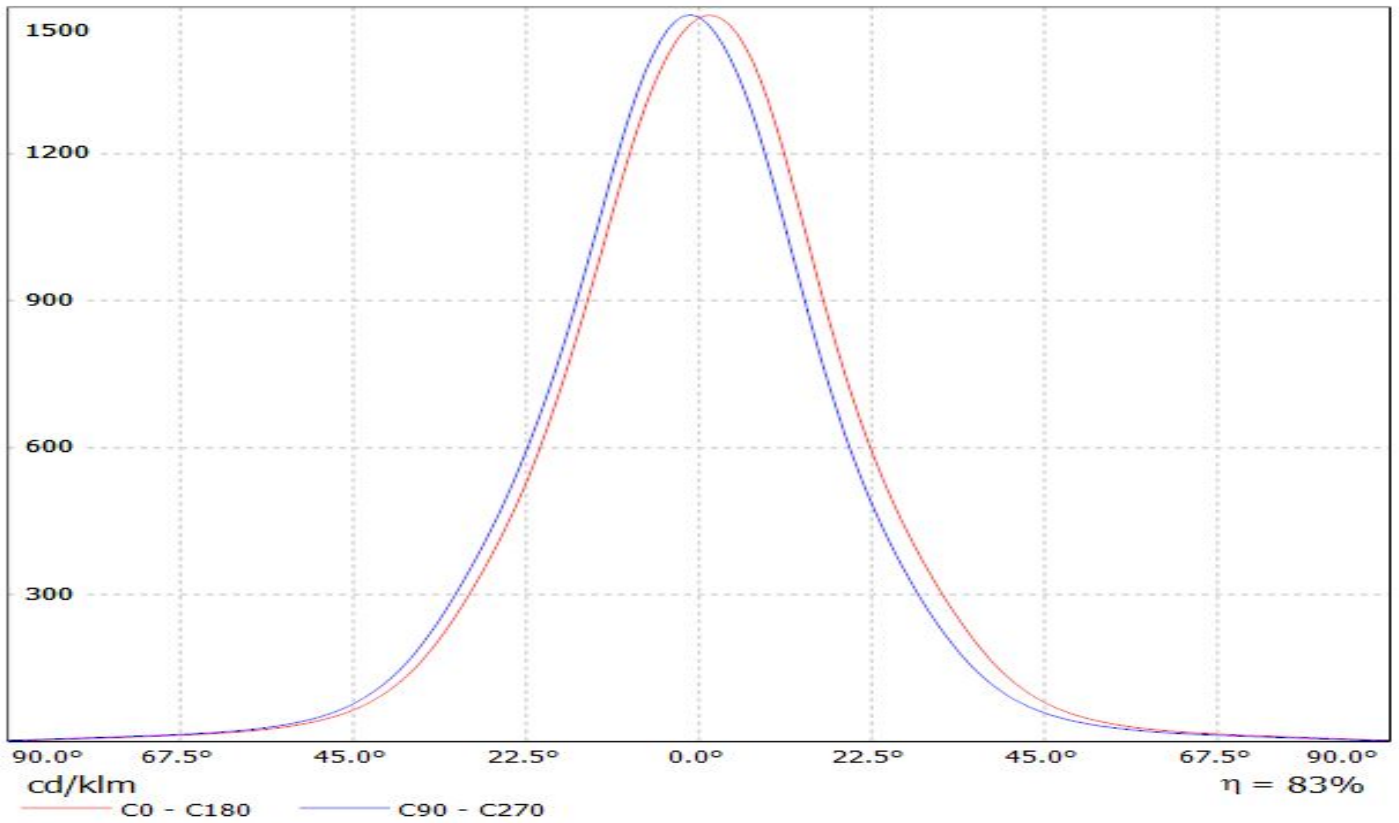
D

A

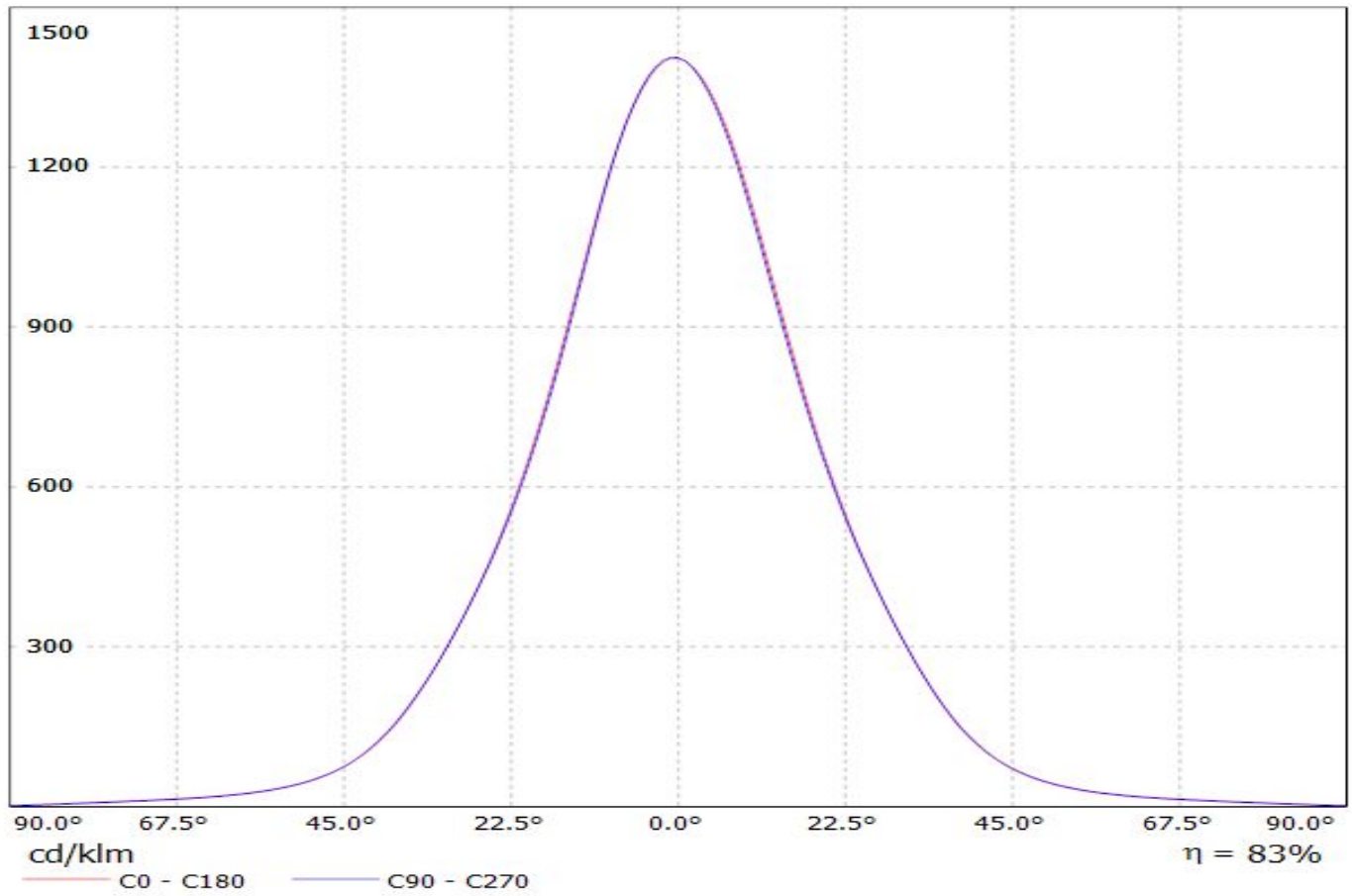
1

LEDiL Oy CN13903_MIRELLA-50-M-PIN-RZL_(XM-L_RGBW) Eff.83.0% / LDC (Linear)

Luminaire: LEDiL Oy CN13903_MIRELLA-50-M-PIN-RZL_(XM-L_RGBW) Eff.83.0%
Lamps: 1 x CREE_XM-L_RGBW_205.574lm@250mA_P=2.77214W_I=249.9mA

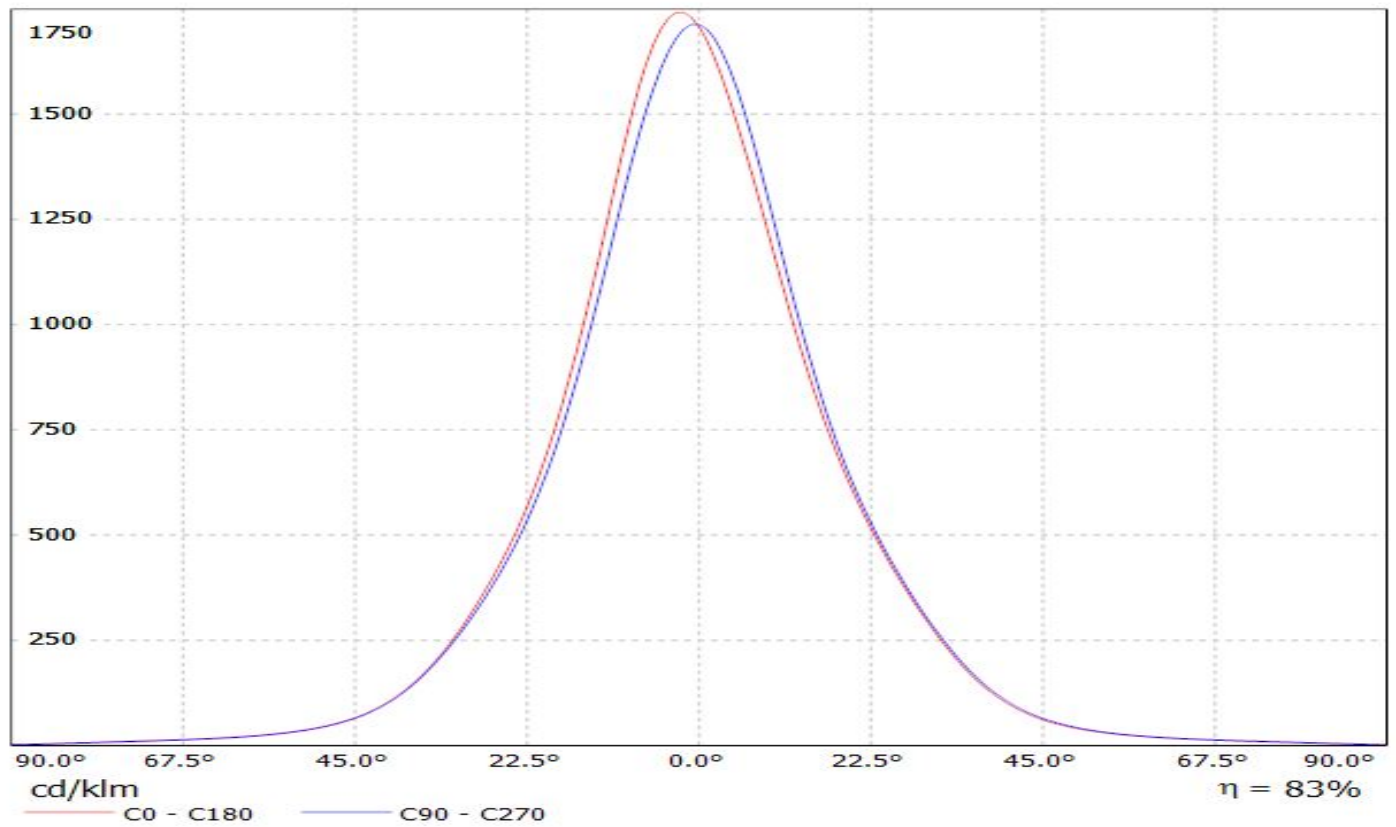


Luminaire: LEDiL Oy CN13903_MIRELLA-50-M-PIN-RZL_(CREE_XHP50_WARM_WHITE)
Lamps: 1 x CREE_XHP50_WARM_WHITE_195.126lm@250mA_P=1.39922W_I=0.2499A

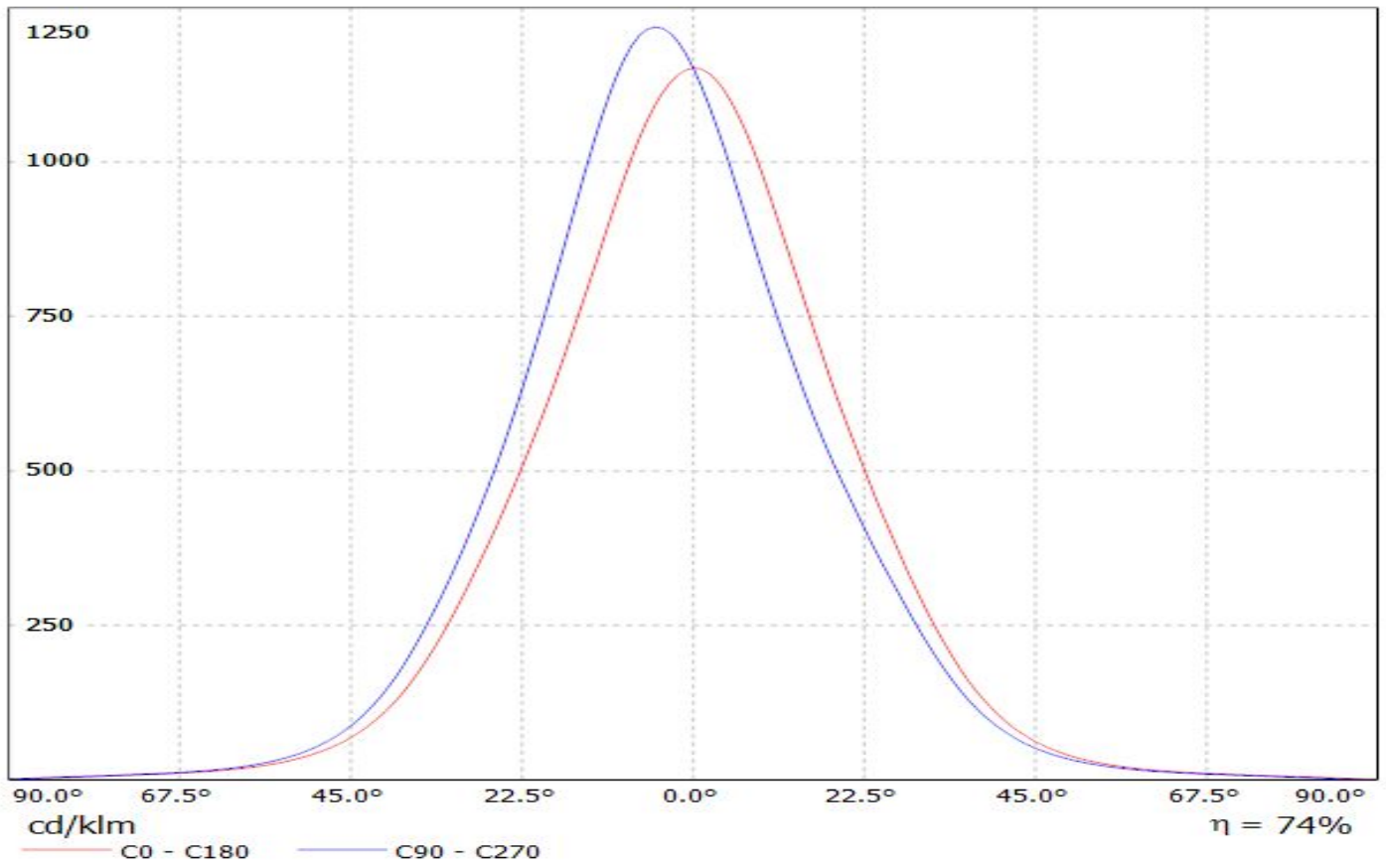


**LEDiL Oy CN13903_MIRELLA-50-M-PIN-RZL_(Luxeon-Z_RGB) Eff.82.6% / LDC
(Linear)**

Luminaire: LEDiL Oy CN13903_MIRELLA-50-M-PIN-RZL_(Luxeon-Z_RGB) Eff.82.6%
Lamps: 1 x Luxeon-Z_RGB_161.075lm@250mA_P=2.64394W_I=249.9mA

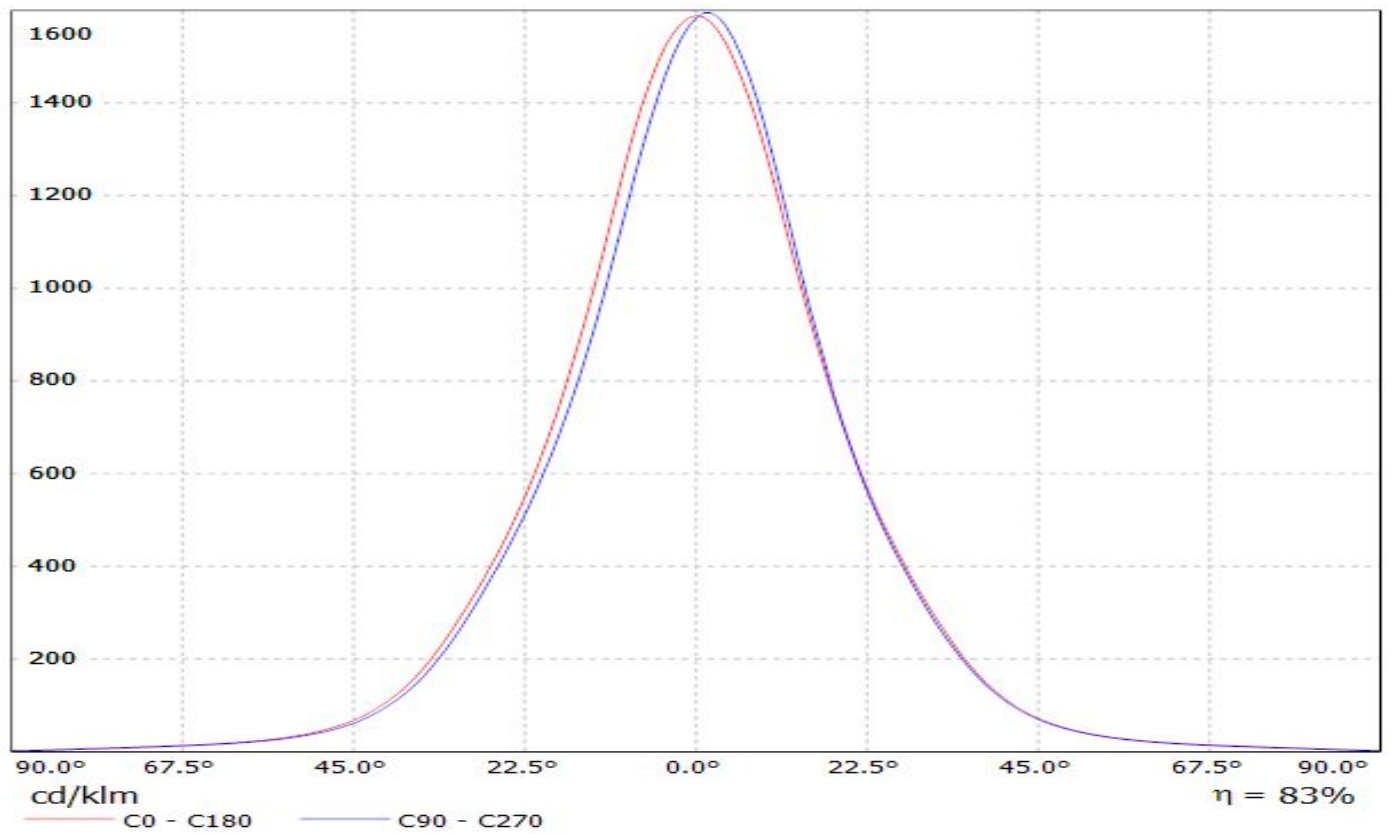


Luminaire: LEDiL Oy CN13903_MIRELLA-50-M-PIN-RZL_(Luxeon_C_RGBW)
Lamps: 1 x Luxeon_C_RGBW_208.984lm@250mA_P=2.5474W_I=0.250A



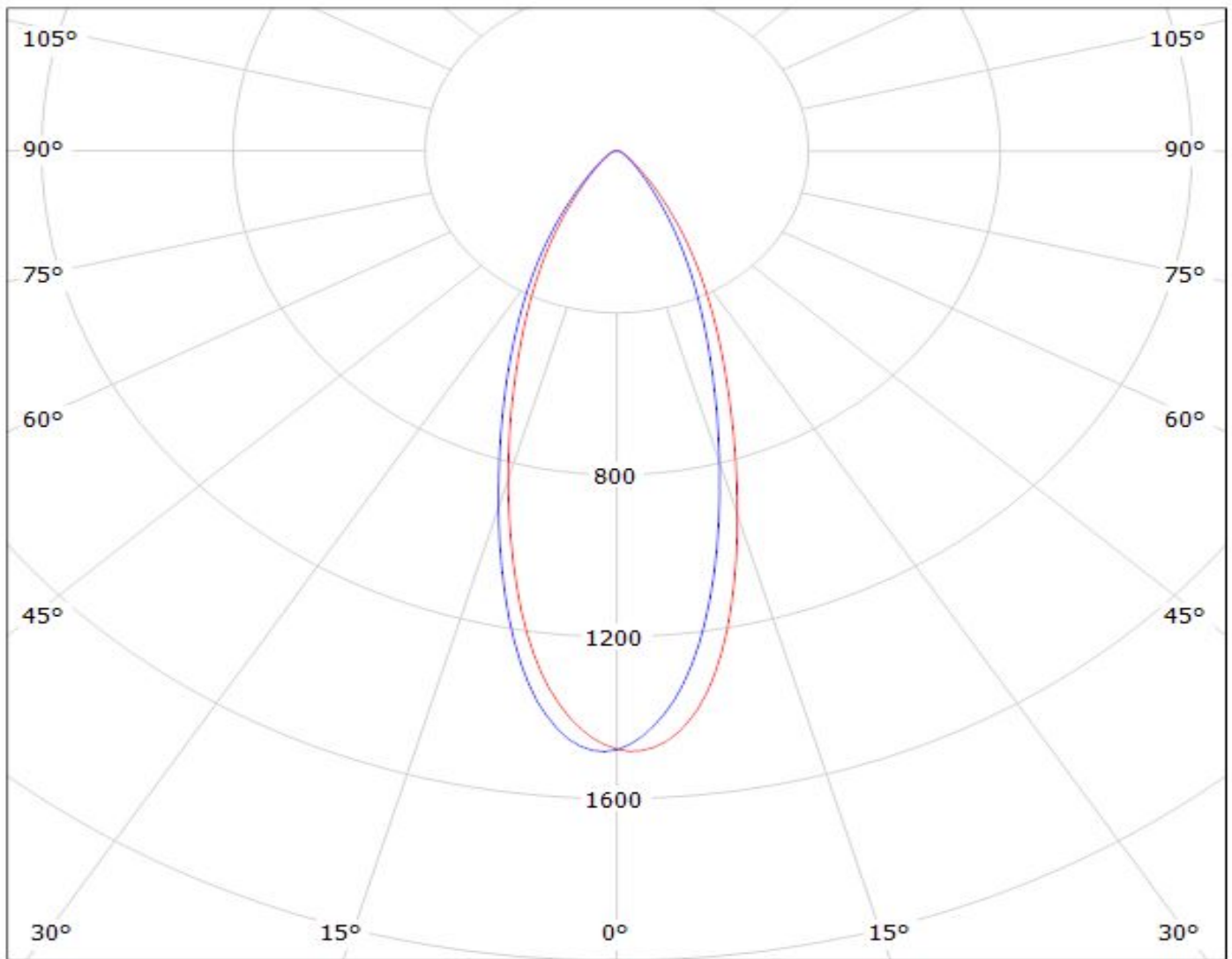
**LEDiL Oy CN13903_MIRELLA-50-M-PIN-RZL_(Ostar_SMT_RGB) Eff.82.9% /
LDC (Linear)**

Luminaire: LEDiL Oy CN13903_MIRELLA-50-M-PIN-RZL_(Ostar_SMT_RGB) Eff.82.9%
Lamps: 1 x Ostar_SMT_RGB_(LE_ATB_S2W)_161.133lm@250mA_P=2.97337W_I=249.8mA



**LEDiL Oy CN13903_MIRELLA-50-M-PIN-RZL_(XM-L_RGBW) Eff.83.0% / LDC
(Polar)**

Luminaire: LEDiL Oy CN13903_MIRELLA-50-M-PIN-RZL_(XM-L_RGBW) Eff.83.0%
Lamps: 1 x CREE_XM-L_RGBW_205.574lm@250mA_P=2.77214W_I=249.9mA



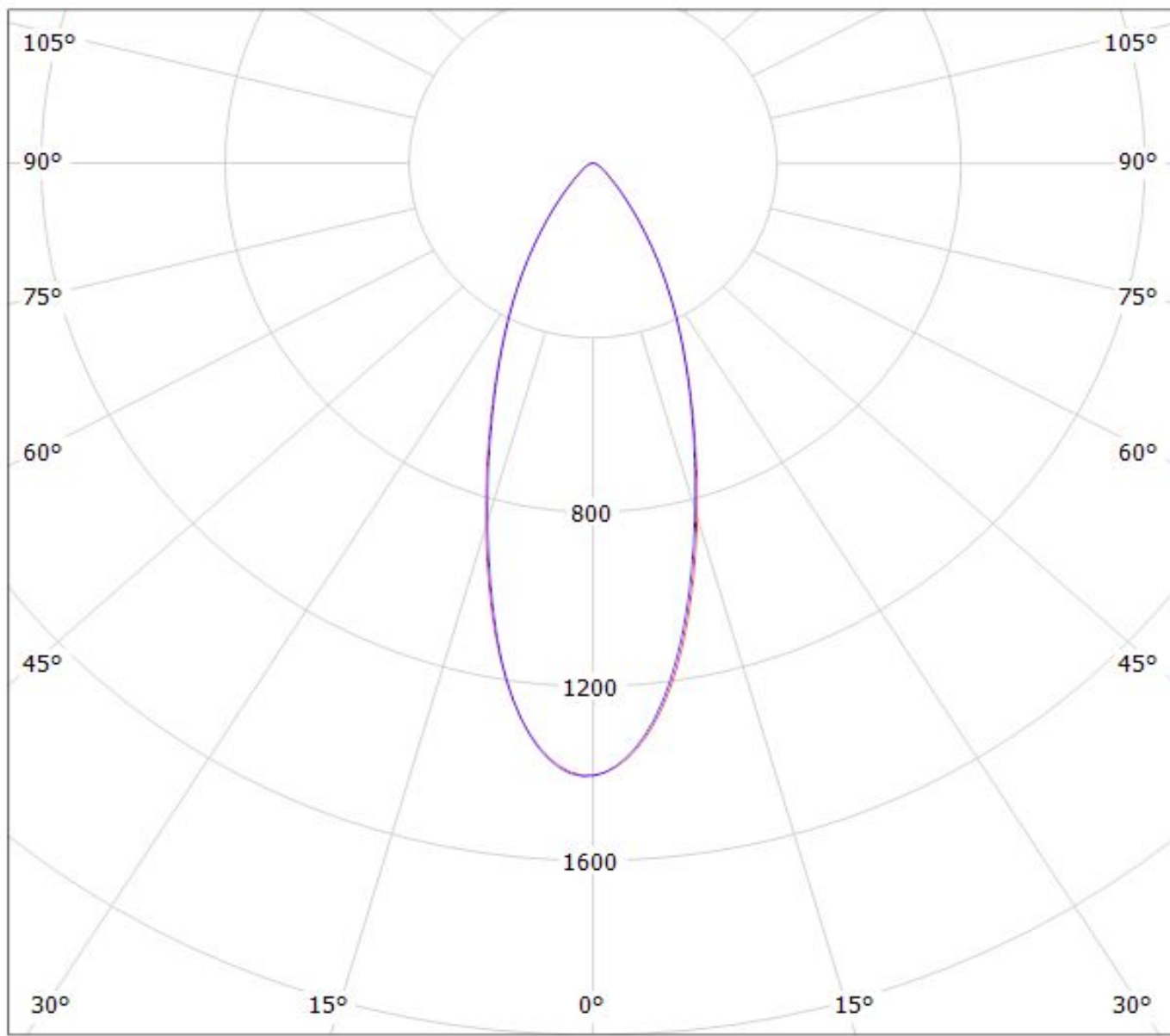
cd/klm

$\eta = 83\%$

— C0 - C180

— C90 - C270

Luminaire: LEDiL Oy CN13903_MIRELLA-50-M-PIN-RZL_(CREE_XHP50_WARM_WHITE)
Lamps: 1 x CREE_XHP50_WARM_WHITE_195.126lm@250mA_P=1.39922W_I=0.2499A



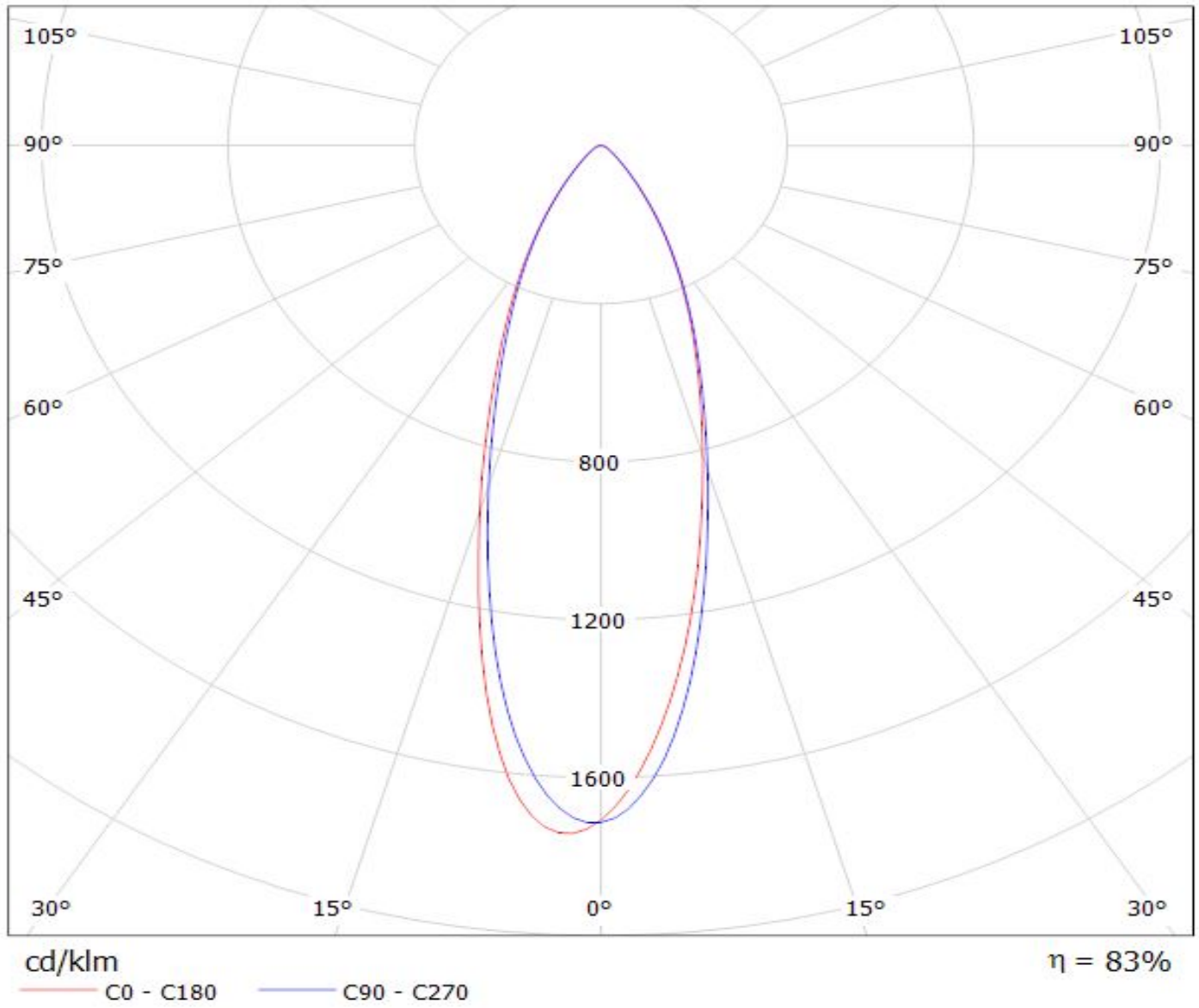
cd/klm

— C0 - C180 — C90 - C270

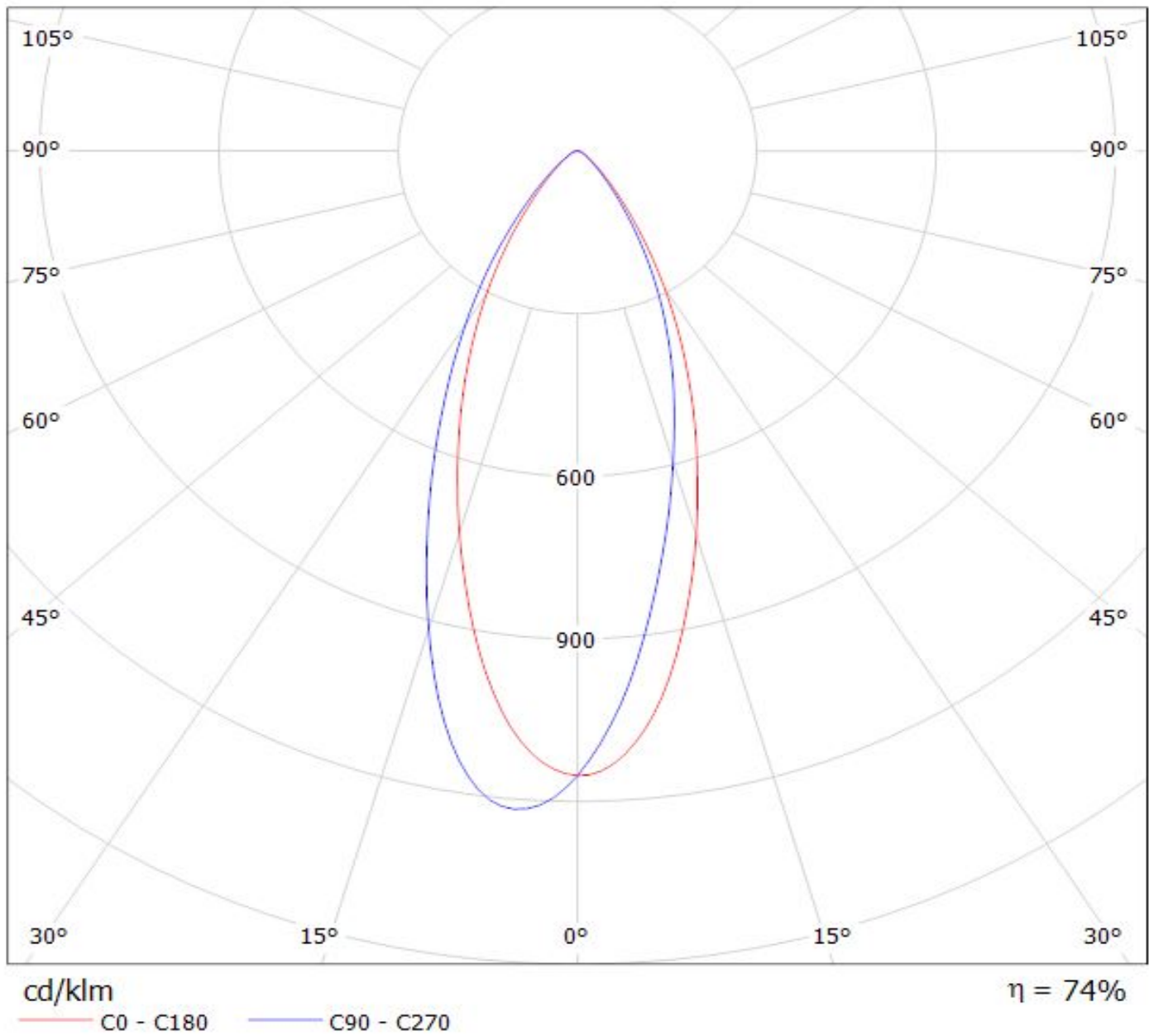
$\eta = 83\%$

LEDiL Oy CN13903_MIRELLA-50-M-PIN-RZL_(Luxeon-Z_RGB) Eff.82.6% / LDC (Polar)

Luminaire: LEDiL Oy CN13903_MIRELLA-50-M-PIN-RZL_(Luxeon-Z_RGB) Eff.82.6%
Lamps: 1 x Luxeon-Z_RGB_161.075lm@250mA_P=2.64394W_I=249.9mA

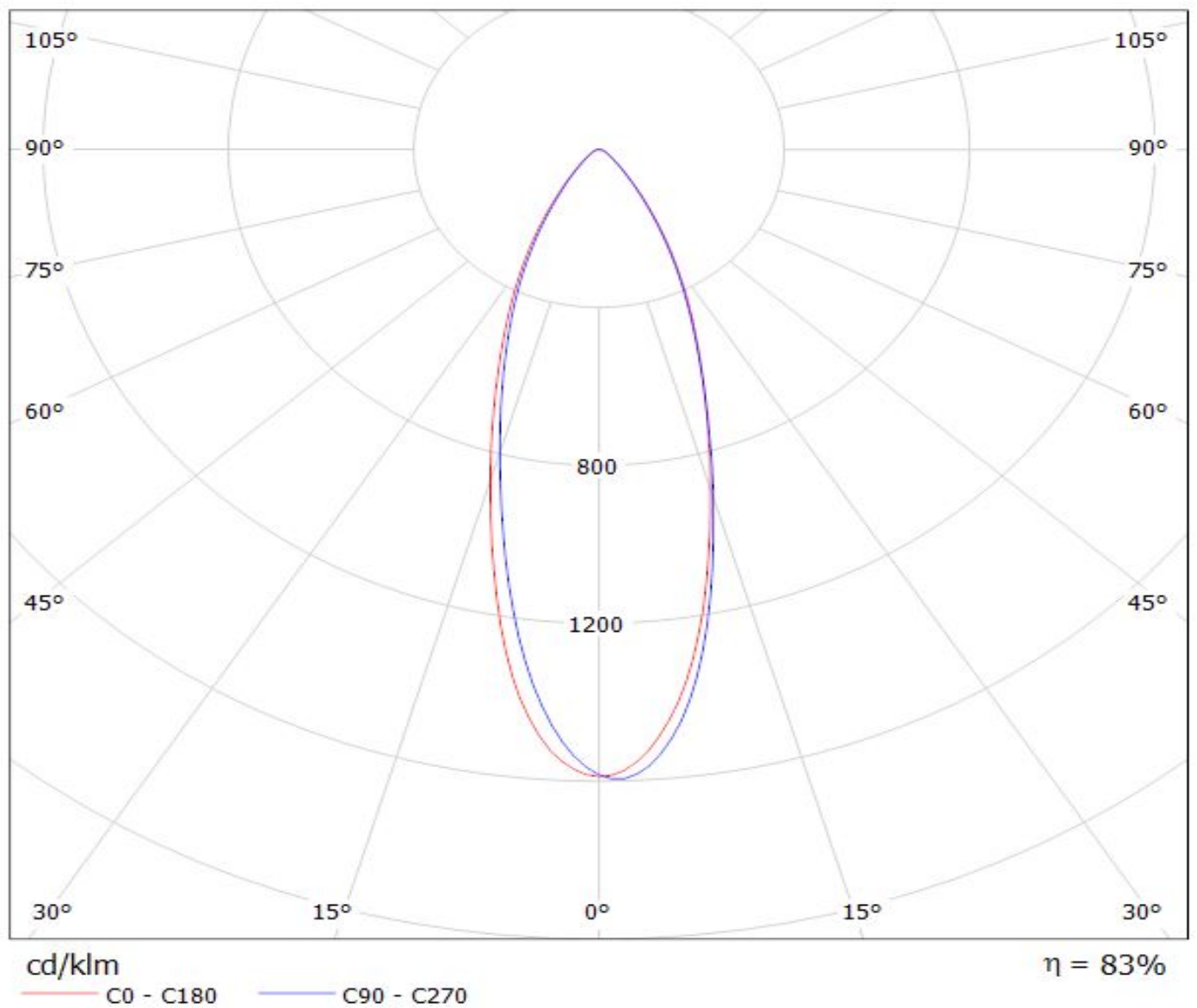


Luminaire: LEDiL Oy CN13903_MIRELLA-50-M-PIN-RZL_(Luxeon_C_RGBW)
Lamps: 1 x Luxeon_C_RGBW_208.984lm@250mA_P=2.5474W_I=0.250A



**LEDiL Oy CN13903_MIRELLA-50-M-PIN-RZL_(Ostar_SMT_RGB) Eff.82.9% /
LDC (Polar)**

Luminaire: LEDiL Oy CN13903_MIRELLA-50-M-PIN-RZL_(Ostar_SMT_RGB) Eff.82.9%
Lamps: 1 x Ostar_SMT_RGB_(LE_ATB_S2W)_161.133lm@250mA_P=2.97337W_I=249.8mA



NOTE: The typical divergence will be changed by different color, chip size and chip position tolerance. The typical total divergence is the full angle measured where the luminous intensity is half of the peak value.