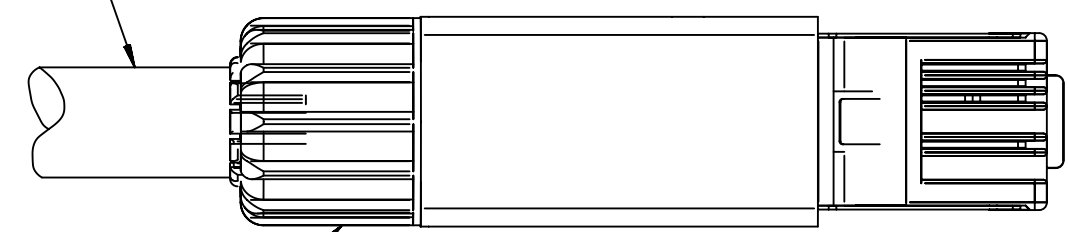
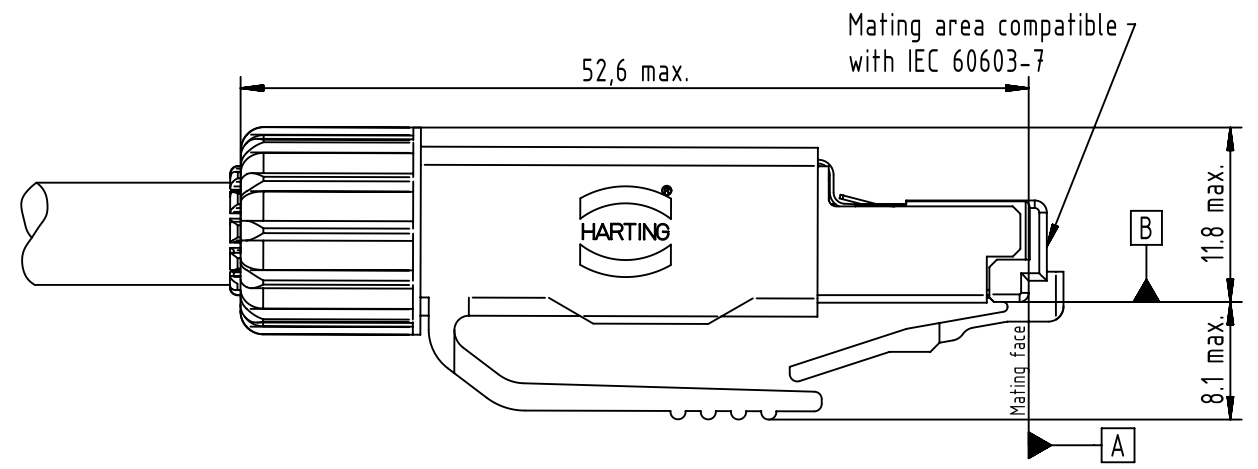
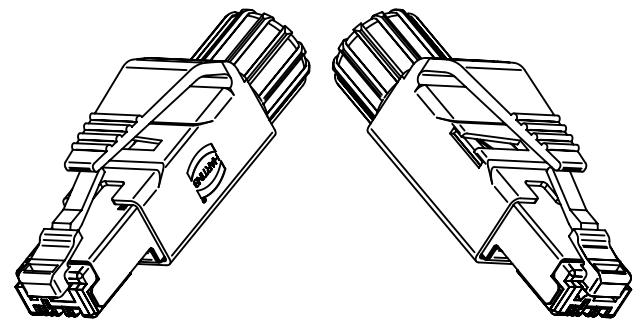


Contact n°1
Contact n°2
Contact n°3
Contact n°6

Cables $\varnothing 6.1 - \varnothing 6.9$ mm
AWG 22/1 to AWG 23/1
AWG 22/7 to AWG 24/7
with O.D. 1.6mm max.



Nut M10X1 with cable clamping



	All Dimensions in mm Original Size DIN A4	Scale	Free size tol.		Ref.	
		2:1	ISO 2768 -fH		Sub.	
	All rights reserved Department EC PD - FR	Created by	Inspected by	Standardisation	Date	State
		BARLEMONT	BAGDIKIAN	HOFFMANN	2013-11-18	Final Release
HARTING Electronics GmbH D-32339 Espelkamp		Title HARTING RJ45 plug Cat5, 4p IDC			Doc-Key / ECM-Nr. 100218467/UGD/000/A 500000068635	
		Type	Number		Rev.	Page
		TB	09451511100		A	1/1