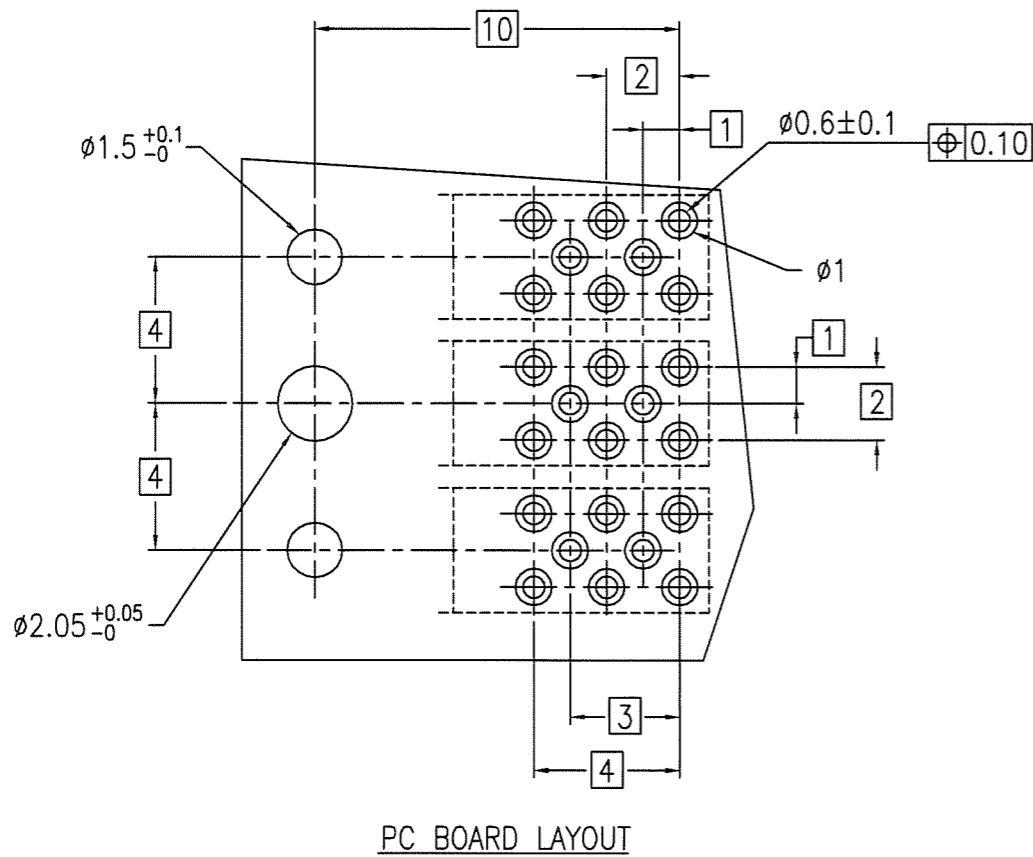
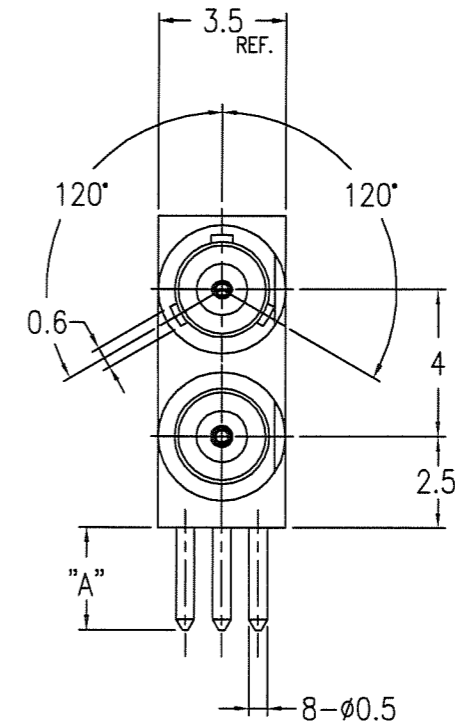
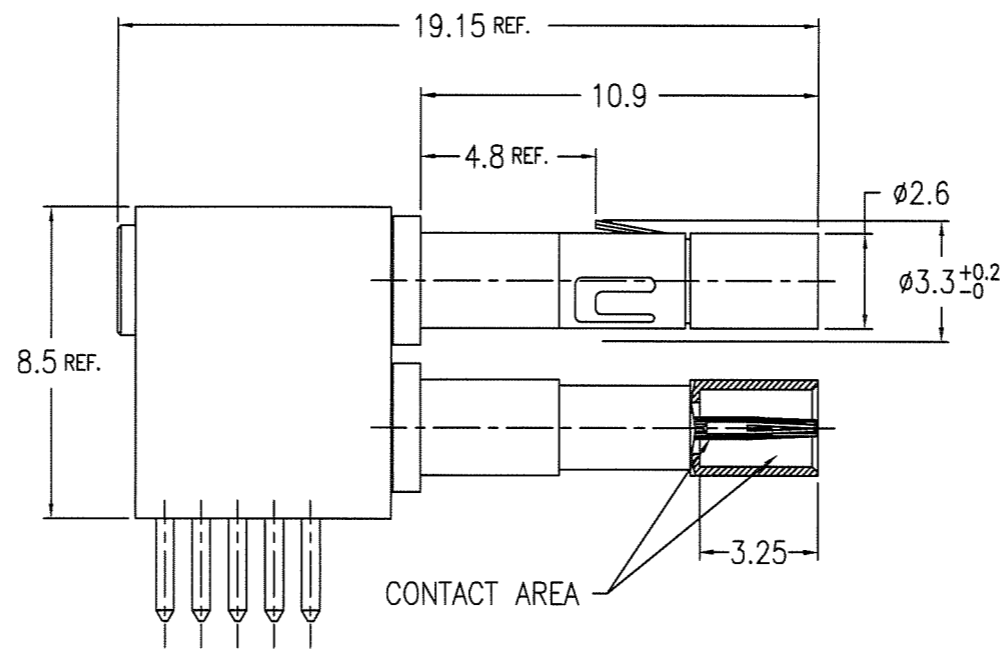


PRODUCT NO.	DIM "A"	PCB THICKNESS
62525-101	2.8	1.6mm
-101LF		
62525-102	3.8	2.4mm
-102LF		
62525-103	4.5	3.2mm
-103LF		



NOTES

- MATERIAL : CONTACT AREA BeCu  
 SPRING CLIP BeCu  
 INSULATOTR PTFE  
 OTHERS BRASS
- PLATING : CONTACT AREA Au 0.8um MIN. UNDER Ni 1.27um MIN.  
 SPRING CLIP Ni 1.27um MIN.  
 BODY Ni 1.27um MIN.  
 INSERT CAP Ni 1.27um MIN.  
 OTHERS Au FLASH UNDER Ni 1.27um MIN.
- FOR LEAD FREE P/N, THE PRODUCT MEET EUROPEAN UNION DIRECTIVES AND OTHER COUNTRY REGULATIONS AS DESCRIBED IN GS-22-008
- THE HOUSING WILL WITHSTAND EXPOSURE TO 260°C PEAK TEMPERATURE FOR 10 SECONDS IN A CONVECTION, INFRA-RED OR VAPOR PHASE REFLOW OVEN.

mat'l. code				surface ISO 1302		tolerance ISO 406 ISO 1101		projection		product family METRAL		CODE JP	
---				✓		tolerances unless otherwise specified		MM		title		METRAL MINI COAX RECE. R/A ASS'Y	
A RELEASED J90148 Y.K 5/10/'99				angles		0.X ±0.3		scale 5:1		dwg no		sheet 1 of 1 size	
B REVISED J90200 Y.K 6/7/'99				linear		0.XX ±0.3		FCJ		62525		A3	
C REVISED J20641 Y.K 12/16/'02				0°±2'		0.XXX ±0.3				type		Customer Drawing	
D REVISED J05-0673 Y.K 10/21/'05				dr		Y.KODAIRA 5/10/'99							
E REVISED J07-0030 S.D 1/18/'07				enr		S.OKUDAIRA 1/18/'07							
				chr		R. S. Swiriji 1/18/07							
				appd		S. Okudaira 1/18/07							
sheet index		revision sheet		E 1								Rev. E	



Copyright FCI.